



Chipsmall Limited consists of a professional team with an average of over 10 year of expertise in the distribution of electronic components. Based in Hongkong, we have already established firm and mutual-benefit business relationships with customers from,Europe,America and south Asia,supplying obsolete and hard-to-find components to meet their specific needs.

With the principle of “Quality Parts,Customers Priority,Honest Operation,and Considerate Service”,our business mainly focus on the distribution of electronic components. Line cards we deal with include Microchip,ALPS,ROHM,Xilinx,Pulse,ON,Everlight and Freescale. Main products comprise IC,Modules,Potentiometer,IC Socket,Relay,Connector.Our parts cover such applications as commercial,industrial, and automotives areas.

We are looking forward to setting up business relationship with you and hope to provide you with the best service and solution. Let us make a better world for our industry!



## Contact us

Tel: +86-755-8981 8866 Fax: +86-755-8427 6832

Email & Skype: info@chipsmall.com Web: www.chipsmall.com

Address: A1208, Overseas Decoration Building, #122 Zhenhua RD., Futian, Shenzhen, China

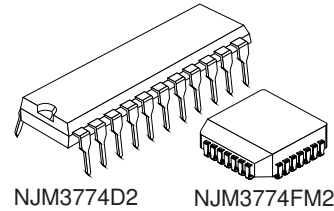


## DUAL STEPPER MOTOR DRIVER

### ■ GENERAL DESCRIPTION

The NJM3774 is a switch-mode (chopper), constant-current driver with two channels: one for each winding of a two-phase stepper motor. The NJM3774 is equipped with a TTL level compatible Disable input to simplify half-stepping operation. The circuit is well suited for microstepping applications together with the matching dual DAC NJU39610. In full/half stepping applications, the NJM3517 can be used as a phase generator (translator) to derive the necessary signals for the NJM3774. The NJM3774 contains a clock oscillator, which is common for both driver channels, a set of comparators and flip-flops implementing the switching control, and two output H-bridges. Voltage supply requirements are +5 V for logic and +10 to +45 V for the motor. Maximum output current is 1000mA per channel.

### ■ PACKAGE OUTLINE



### ■ FEATURES

- Dual chopper driver
- 1000 mA continuous output current per channel
- Specially matched to the Dual DAC NJU39610
- Packages   DIP22 / PLCC28

### ■ BLOCK DIAGRAM

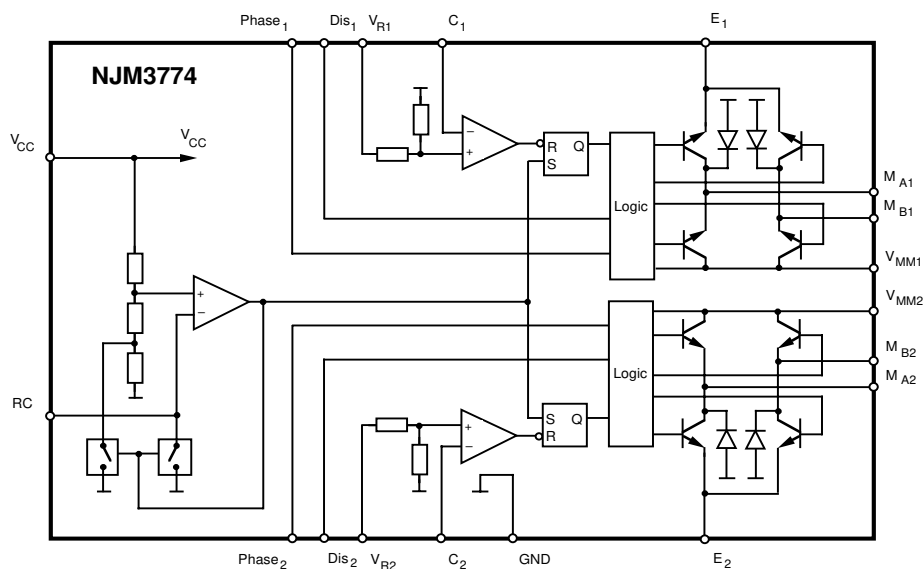


Figure 1. Block diagram

## ■ PIN CONFIGURATIONS

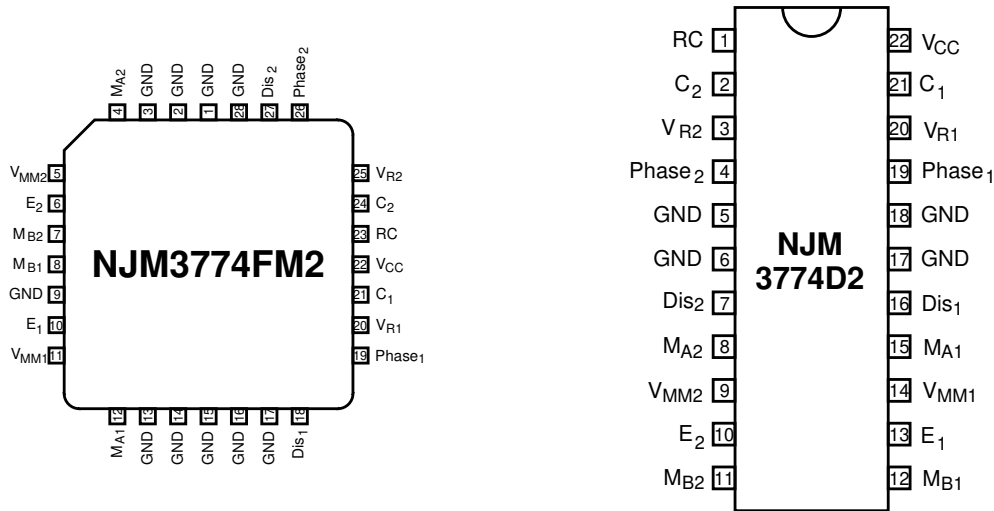


Figure 2. Pin configurations

## ■ PIN DESCRIPTION

PLCC	DIP	Symbol	Description
1-3, 9, 13-17, 28	5, 6, 17, 18	GND	Ground and negative supply. Note: these pins are used thermally for heat-sinking. Make sure that all ground pins are soldered onto a suitably large copper ground plane for efficient heat sinking.
4	8	M <sub>A2</sub>	Motor output A, channel 2. Motor current flows from M <sub>A2</sub> to M <sub>B2</sub> when Phase <sub>2</sub> is HIGH.
5	9	V <sub>MM2</sub>	Motor supply voltage, channel 2, +10 to +40 V. V <sub>MM1</sub> and V <sub>MM2</sub> should be connected together.
6	10	E <sub>2</sub>	Common emitter, channel 2. This pin connects to a sensing resistor R <sub>S</sub> to ground.
7	11	M <sub>B2</sub>	Motor output B, channel 2. Motor current flows from M <sub>A2</sub> to M <sub>B2</sub> when Phase <sub>2</sub> is HIGH.
8	12	M <sub>B1</sub>	Motor output B, channel 1. Motor current flows from M <sub>A1</sub> to M <sub>B1</sub> when Phase <sub>1</sub> is HIGH.
10	13	E <sub>1</sub>	Common emitter, channel 1. This pin connects to a sensing resistor R <sub>S</sub> to ground.
11	14	V <sub>MM1</sub>	Motor supply voltage, channel 1, +10 to +40 V. V <sub>MM1</sub> and V <sub>MM2</sub> should be connected together.
12	15	M <sub>A1</sub>	Motor output A, channel 1. Motor current flows from M <sub>A1</sub> to M <sub>B1</sub> when Phase <sub>1</sub> is HIGH.
18	16	Dis <sub>1</sub>	Disable input (TTL level compatible) for channel 1. When HIGH, all four output transistors are turned off, which results in a rapidly decreasing output current to zero.
19	19	Phase <sub>1</sub>	Controls the direction of motor current at outputs M <sub>A1</sub> and M <sub>B1</sub> . Motor current flows from M <sub>A1</sub> to M <sub>B1</sub> when Phase <sub>1</sub> is HIGH.
20	20	V <sub>R1</sub>	Ref. voltage, channel 1. Controls the threshold voltage for the comparator and hence the output current.
21	21	C <sub>1</sub>	Comparator input channel 1. This input senses the instantaneous voltage across the sensing resistor, filtered by an RC network. The threshold voltage for the comparator is V <sub>CH1</sub> = 0.18 • V <sub>R1</sub> [V], i.e. 450 mV at V <sub>R1</sub> = 2.5 V.
22	22	V <sub>CC</sub>	Logic voltage supply, nominally +5 V.
23	1	RC	Clock oscillator RC pin. Connect a 15 kohm resistor to V <sub>CC</sub> and a 3300 pF capacitor to ground to obtain the nominal switching frequency of 26.5 kHz.
24	2	C <sub>2</sub>	Comparator input channel 2. This input senses the instantaneous voltage across the sensing resistor, filtered by an RC network. The threshold voltage for the comparator is V <sub>CH2</sub> = 0.18 • V <sub>R2</sub> [V], i.e. 450 mV at V <sub>R2</sub> = 2.5 V.
25	3	V <sub>R2</sub>	Ref. voltage, channel 2. Controls the threshold voltage for the comparator and hence the output current.
26	4	Phase <sub>2</sub>	Controls the direction of motor current at outputs M <sub>A2</sub> and M <sub>B2</sub> . Motor current flows from M <sub>A2</sub> to M <sub>B2</sub> when Phase <sub>2</sub> is HIGH.
27	7	Dis <sub>2</sub>	Disable input (TTL level compatible) for channel 2. When HIGH, all four output transistors are turned off, which results in a rapidly decreasing output current to zero.



■ FUNCTIONAL DESCRIPTION

Each channel of the NJM3774 consists of the following sections: an output H-bridge with four transistors, capable of driving up to 1000mA continuous current to the motor winding; a logic section that controls the output transistors; an S-R flip-flop; and a comparator. The clock-oscillator is common to both channels.

Constant current control is achieved by switching the output current to the windings. This is done by sensing the peak current through the winding via a resistor,  $R_S$ , effectively connected in series with the motor winding during the turn-on period. As the current increases, a voltage develops across the resistor, and is fed back to the comparator. At the predetermined level defined by the voltage at the reference input  $V_R$ , the comparator resets the flip-flop, turning off the output transistors. The current decreases until the clock oscillator triggers the flip-flop, turning on the output transistors, and the cycle is repeated.

The current paths during turn-on, turn-off and phase shift are shown in figure 3. Note that the upper recirculation diodes are connected to the circuit externally.

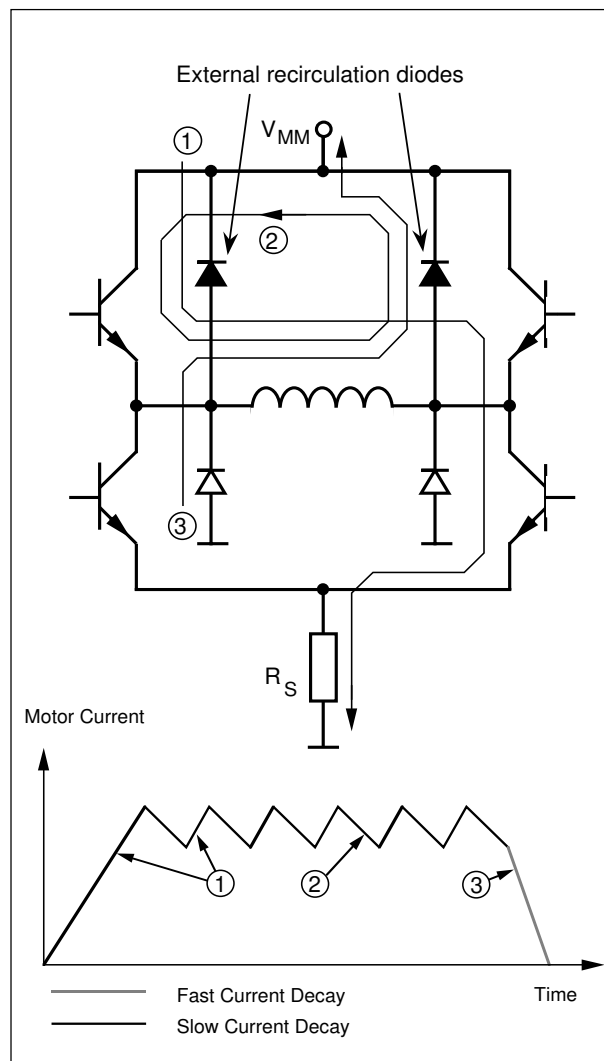


Figure 3. Output stage with current paths during turn-on, turn-off and phase shift.

## ■ ABSOLUTE MAXIMUM RATINGS

Parameter	Pin no. [DIP-package]	Symbol	Min	Max	Unit
<b>Voltage</b>					
Logic supply	22	$V_{CC}$	0	7	V
Motor supply	9, 14	$V_{MM}$	0	45	V
Logic inputs	4, 7, 16, 19	$V_I$	-0.3	6	V
Comparator inputs	2, 21	$V_C$	-0.3	$V_{CC}$	V
Reference inputs	3, 20	$V_R$	-0.3	7.5	V
<b>Current</b>					
Motor output current	8, 11, 12, 15	$I_M$	-1200	+1200	mA
Logic inputs	4, 7, 16, 19	$I_I$	-10	-	mA
Analog inputs	2, 3, 20, 21	$I_A$	-10	-	mA
<b>Temperature</b>					
Operating Junction temperature		$T_J$	-40	+150	°C
Storage temperature		$T_{stg}$	-55	+150	°C
<b>Power Dissipation (Package Data)</b>					
Power dissipation at $T_{GND} = +25^\circ\text{C}$ , DIP and PLCC package		$P_D$	-	5	W
Power dissipation at $T_{GND} = +125^\circ\text{C}$ , DIP package		$P_D$	-	2.2	W
Power dissipation at $T_{GND} = +125^\circ\text{C}$ , PLCC package		$P_D$	-	2.6	W

## ■ RECOMMENDED OPERATING CONDITIONS

Parameter	Symbol	Min	Typ	Max	Unit
Logic supply voltage	$V_{CC}$	4.75	5	5.25	V
Motor supply voltage	$V_{MM}$	10	-	40	V
Motor output current	$I_M$	-1000	-	+1000	mA
Operating Junction temperature	$T_J$	-20	-	+125	°C
Rise and fall time, logic inputs	$t_r, t_f$	-	-	2	$\mu\text{s}$
Oscillator timing resistor	$R_T$	2	15	20	k $\Omega$

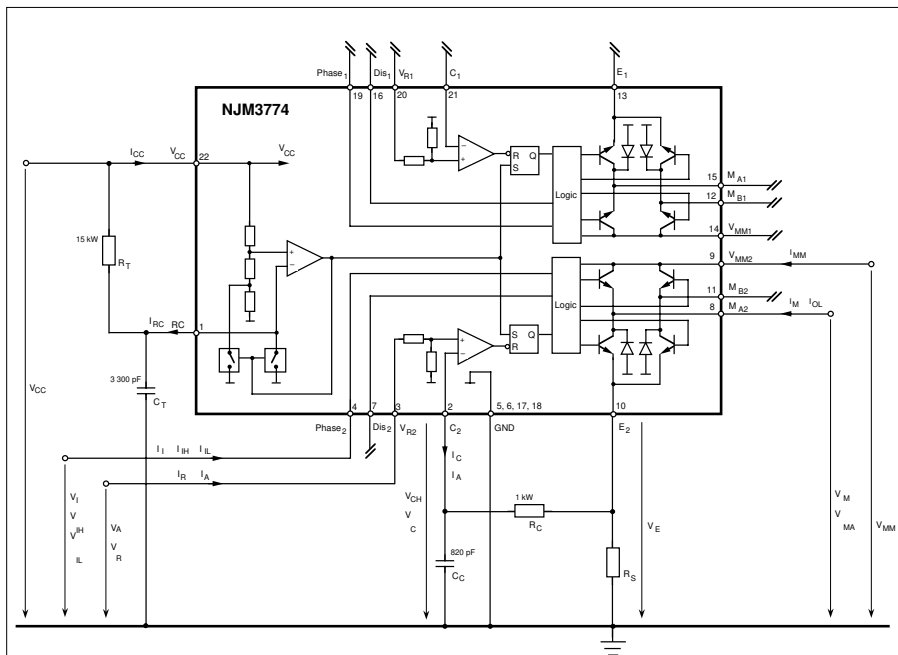


Figure 4. Definition of symbols

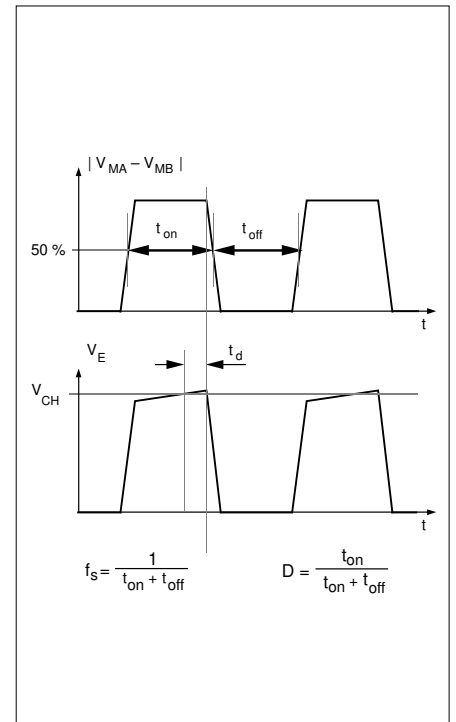


Figure 5. Definition of terms

**■ ELECTRICAL CHARACTERISTICS**

 Electrical characteristics over recommended operating conditions unless otherwise noted,  $-20^{\circ}\text{C} \leq T_J \leq +125^{\circ}\text{C}$ .

Parameter	Symbol	Conditions	Min	Typ	Max	Unit
<b>General</b>						
Supply current	$I_{CC}$	Note 4.	-	60	75	mA
Total power dissipation	$P_D$	$V_{MM} = 12\text{ V}$ , $I_{M1} = I_{M2} = 750\text{ mA}$ . Notes 2, 3, 4.	-	2.6	2.9	W
Total power dissipation	$P_D$	$V_{MM} = 12\text{ V}$ , $I_{M1} = 1000\text{ mA}$ , $I_{M2} = 0\text{ mA}$ . Notes 2, 3, 4.	-	2.6	2.9	W
Thermal shutdown junction temperature			-	160	-	$^{\circ}\text{C}$
Turn-off delay	$t_d$	$T_A = +25^{\circ}\text{C}$ , $dV_C/dt \geq 50\text{ mV}/\mu\text{s}$ . $I_M = 100\text{ mA}$ . Note 3.	-	1.4	2.0	$\mu\text{s}$
<b>Logic Inputs</b>						
Logic HIGH input voltage	$V_{IH}$		2.0	-	-	V
Logic LOW input voltage	$V_{IL}$		-	-	0.8	V
Logic HIGH input current	$I_{IH}$	$V_I = 2.4\text{ V}$	-	-	20	$\mu\text{A}$
Logic LOW input current	$I_{IL}$	$V_I = 0.4\text{ V}$	-0.4	-	-	mA
<b>Comparator Inputs</b>						
Threshold voltage	$V_{CH}$	$R_C = 1\text{ kohm}$ , $V_R = 2.50\text{ V}$	430	450	470	mV
$ V_{CH1} - V_{CH2} $ mismatch	$V_{CH,diff}$	$R_C = 1\text{ kohm}$	-	1	-	mV
Input current	$I_C$		-10	-	1	$\mu\text{A}$
<b>Reference Inputs</b>						
Input resistance	$R_R$	$T_A = +25^{\circ}\text{C}$	-	5	-	kohm
Input current	$I_R$	$V_R = 2.5\text{ V}$	-	0.5	1.0	mA
<b>Motor Outputs</b>						
Lower transistor saturation voltage		$I_M = 750\text{ mA}$	-	0.6	0.9	V
Lower transistor leakage current		$V_{MM} = 41\text{ V}$ , $V_E = V_R = 0\text{ V}$ , $V_C = V_{CC}$	-	-	700	$\mu\text{A}$
Lower diode forward voltage drop		$I_M = 750\text{ mA}$	-	1.2	1.5	V
Upper transistor saturation voltage		$I_M = 750\text{ mA}$	-	1.1	1.4	V
Upper transistor leakage current		$V_{MM} = 41\text{ V}$ , $V_E = V_R = 0\text{ V}$ , $V_C = V_{CC}$	-	-	700	$\mu\text{A}$
<b>Chopper Oscillator</b>						
Chopping frequency	$f_s$	$C_T = 3300\text{ pF}$ , $R_T = 15\text{ kohm}$	25.0	26.5	28.0	kHz

**■ THERMAL CHARACTERISTICS**

Parameter	Symbol	Conditions	Min	Typ	Max	Unit
Thermal resistance	$R_{th_{J-GND}}$	DIP package.	-	11	-	$^{\circ}\text{C}/\text{W}$
	$R_{th_{J-A}}$	DIP package. Note 2.	-	40	-	$^{\circ}\text{C}/\text{W}$
	$R_{th_{J-GND}}$	PLCC package.	-	9	-	$^{\circ}\text{C}/\text{W}$
	$R_{th_{J-A}}$	PLCC package. Note 2.	-	35	-	$^{\circ}\text{C}/\text{W}$

**Notes**

1. All voltages are with respect to ground. Currents are positive into, negative out of specified terminal.
2. All ground pins soldered onto a  $20\text{ cm}^2$  PCB copper area with free air convection,  $T_A = +25^{\circ}\text{C}$ .
3. Not covered by final test program.
4. Switching duty cycle  $D = 30\%$ ,  $f_s = 26.5\text{ kHz}$ .



The frequency of the clock oscillator is set by the  $R_T$ - $C_T$  timing components at the RC pin. The recommended values result in a clock frequency (= switching frequency) of 26.5 kHz. A lower frequency will result in higher current ripple, but may improve low-current level linearity. A higher clock frequency reduces current ripple, but increases the switching losses in the IC and possibly increased iron losses in the motor. If the clock frequency needs to be changed, the  $C_T$  capacitor value should be adjusted. The recommended  $R_T$  resistor value is 15 kohm.

The sensing resistor  $R_S$ , should be selected for maximum motor current. The relationship between peak motor current, reference voltage and the value of  $R_S$  is described under Current control above. Be sure not to exceed the maximum output current which is 1200mA peak when only one channel is activated. Or recommended output current, which is 1000mA peak, when both channels is activated.

## Motor selection

The NJM3774 is designed for two-phase bipolar stepper motors, i.e. motors that have only one winding per phase.

The chopping principle of the NJM3774 is based on a constant frequency and a varying duty cycle. This scheme imposes certain restrictions on motor selection. Unstable chopping can occur if the chopping duty cycle exceeds approximately 50%. See figure 5 for definitions. To avoid this, it is necessary to choose a motor with a low winding resistance and inductance, i.e. windings with a few turns.

It is not possible to use a motor that is rated for the same voltage as the actual supply voltage. Only rated current needs to be considered. Typical motors to be used together with the NJM3774 have a voltage rating of 1 to 6 V, while the supply voltage usually ranges from 12 to 40 V.

Low inductance, especially in combination with a high supply voltage, enables high stepping rates. However, to give the same torque capability at low speed, the reduced number of turns in the winding of the low resistive, low inductive motor must be compensated by a higher current. A compromise has to be made. Choose a motor with the lowest possible winding resistance and inductance, that still gives the required torque, and use as high supply voltage as possible, without exceeding the maximum recommended 40 V. Check that the chopping duty cycle does not exceed 50% at max. current.

## General

### Phase inputs

A logic HIGH on a Phase input gives a current flowing from pin  $M_A$  into  $M_B$ . A logic LOW gives a current flow in the opposite direction. A time delay prevents cross conduction in the H-bridge when changing the Phase input.

### Heat sinking

Soldering the batwing ground leads onto a copper ground plane of 20 cm<sup>2</sup> (approx. 1.8" x 1.8"), copper foil thickness 35 μm, permits the circuit to operate with 650 mA output current, both channels driving, at ambient temperatures up to 70°C. Consult figures 7,10 and 11 in order to determine the necessary copper ground plane area for heat sinking at higher current levels.

### Thermal shutdown

The circuit is equipped with a thermal shutdown function that turns the output off at temperatures above 160°C. Normal operation is resumed when the temperature has decreased.

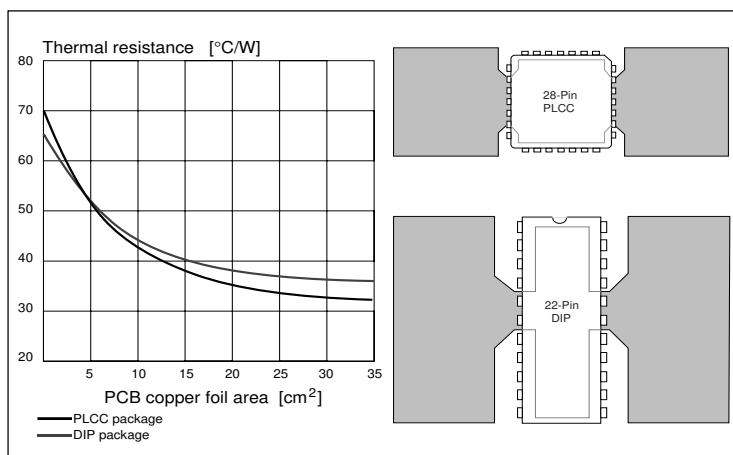


Figure 7. Typical thermal resistance vs. PC Board copper area and suggested layout

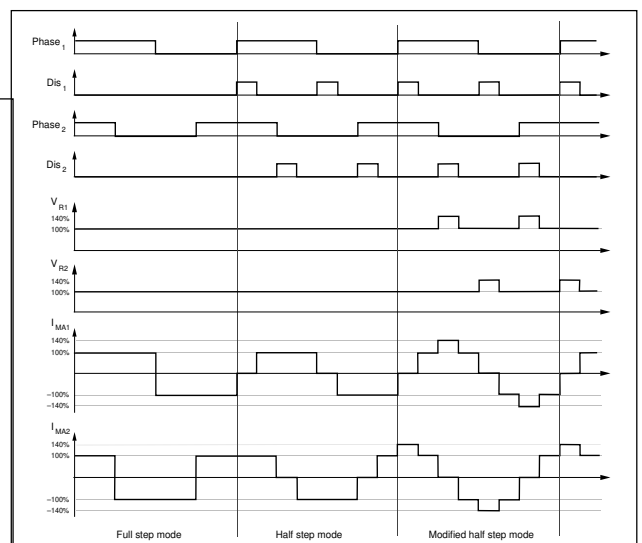


Figure 8. Stepping modes



## Programming

Figure 8 shows the different input and output sequences for full-step, half-step and modified halfstep operations.

### Full-step mode

Both windings are energized at all the time with the same current,  $I_{M1} = I_{M2}$ . To make the motor take one step, the current direction (and the magnetic field direction) in one phase is reversed. The next step is then taken when the other phase current reverses. The current changes go through a sequence of four different states which equal four full steps until the initial state is reached again.

### Half-step mode

In the half-step mode, the current in one winding is brought to zero before a complete current reversal is made. The motor will then have taken two half steps equalling one full step in rotary movement. The cycle is repeated, but on the other phase. A total of eight states are sequenced until the initial state is reached again.

Half-step mode can overcome potential resonance problems. Resonances appear as a sudden loss of torque at one or more distinct stepping rates and must be avoided so as not to loose control of the motor's shaft position.

One disadvantage with the half-step mode is the reduced torque in the half step positions, in which current flows through one winding only. The torque in this position is approximately 70 % of the full step position torque.

### Modified half-step mode.

The torque variations in half step mode will be eliminated if the current is increased about 1.4 times in the halfstep position. A constant torque will further reduce resonances and mechanical noise, resulting in better performance, life expectancy and reliability of the mechanical system.

Modifying the current levels must be done by bringing the reference voltage up (or down) from its nominal value correspondingly. This can be done by using DACs or simple resistor divider networks, as shown in figure 9.

The NJM3774 is designed to handle about 1.4 times higher current in one channel on mode, for example 700 mA per winding in the full-step position, and 1000 mA in the half-step position.

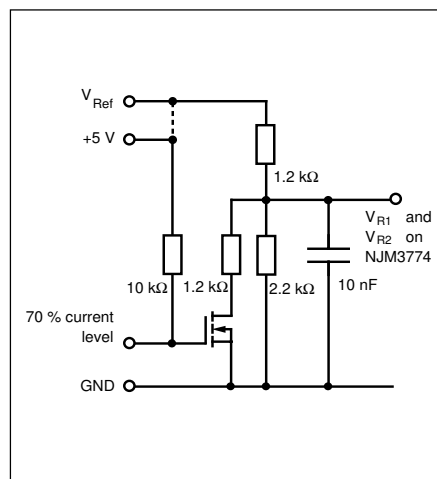


Figure 9. Reduction of reference voltage at the  $V_R$  pin of NJM3774

■ TYPICAL CHARACTERISTICS

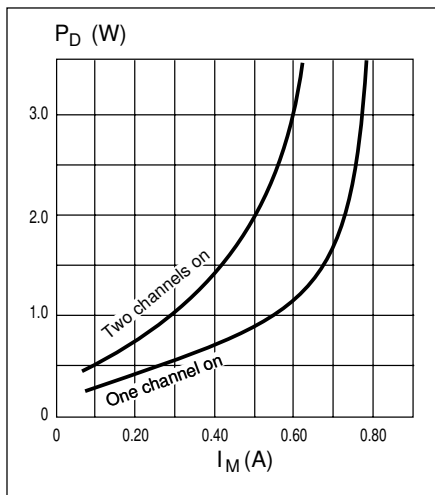


Figure 10. Power dissipation vs. motor current,  $T_A = 25^\circ\text{C}$

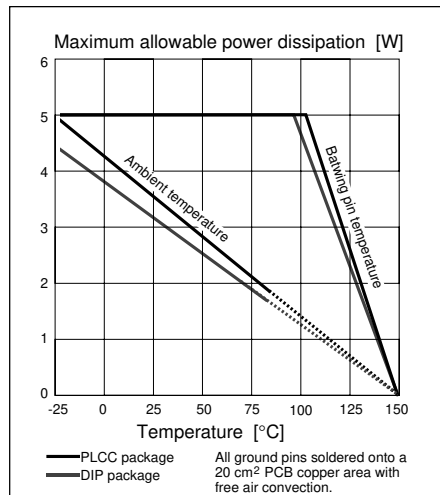


Figure 11. Maximum allowable continuous power dissipation vs. temperature

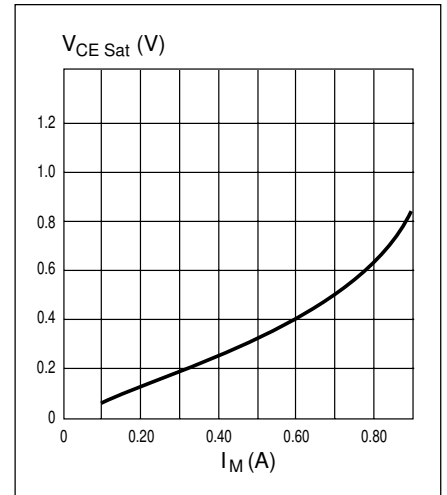


Figure 12. Typical lower transistor saturation voltage vs. output current

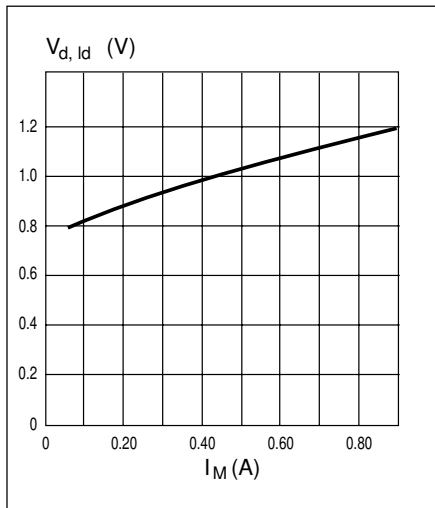


Figure 13. Typical lower diode voltage vs. recirculating current

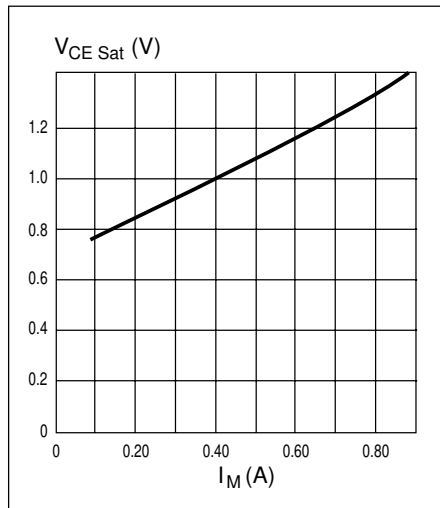


Figure 14. Typical upper transistor saturation voltage vs. output current

The specifications on this databook are only given for information, without any guarantee as regards either mistakes or omissions. The application circuits in this databook are described only to show representative usages of the product and not intended for the guarantee or permission of any right including the industrial rights.