



Chipsmall Limited consists of a professional team with an average of over 10 year of expertise in the distribution of electronic components. Based in Hongkong, we have already established firm and mutual-benefit business relationships with customers from,Europe,America and south Asia,supplying obsolete and hard-to-find components to meet their specific needs.

With the principle of “Quality Parts,Customers Priority,Honest Operation,and Considerate Service”,our business mainly focus on the distribution of electronic components. Line cards we deal with include Microchip,ALPS,ROHM,Xilinx,Pulse,ON,Everlight and Freescale. Main products comprise IC,Modules,Potentiometer,IC Socket,Relay,Connector.Our parts cover such applications as commercial,industrial, and automotives areas.

We are looking forward to setting up business relationship with you and hope to provide you with the best service and solution. Let us make a better world for our industry!



Contact us

Tel: +86-755-8981 8866 Fax: +86-755-8427 6832

Email & Skype: info@chipsmall.com Web: www.chipsmall.com

Address: A1208, Overseas Decoration Building, #122 Zhenhua RD., Futian, Shenzhen, China



9-Input 3-Output Stereo Audio Selector

■ GENERAL DESCRIPTION

The NJW1111 is a 9-input 3-output stereo audio selector. It includes three independent 9input-1output stereo audio selectors and adjustable gain buffers.

The NJW1111 performs superior audio characteristics such as low distortion, low output noise and low crosstalk.

All of internal status and variables are controlled by three-wired serial bus. Selectable two Chip address is available for using two chips on same serial bus line. It is suitable for AV amplifier and receiver system and others.

■ PACKAGE OUTLINE

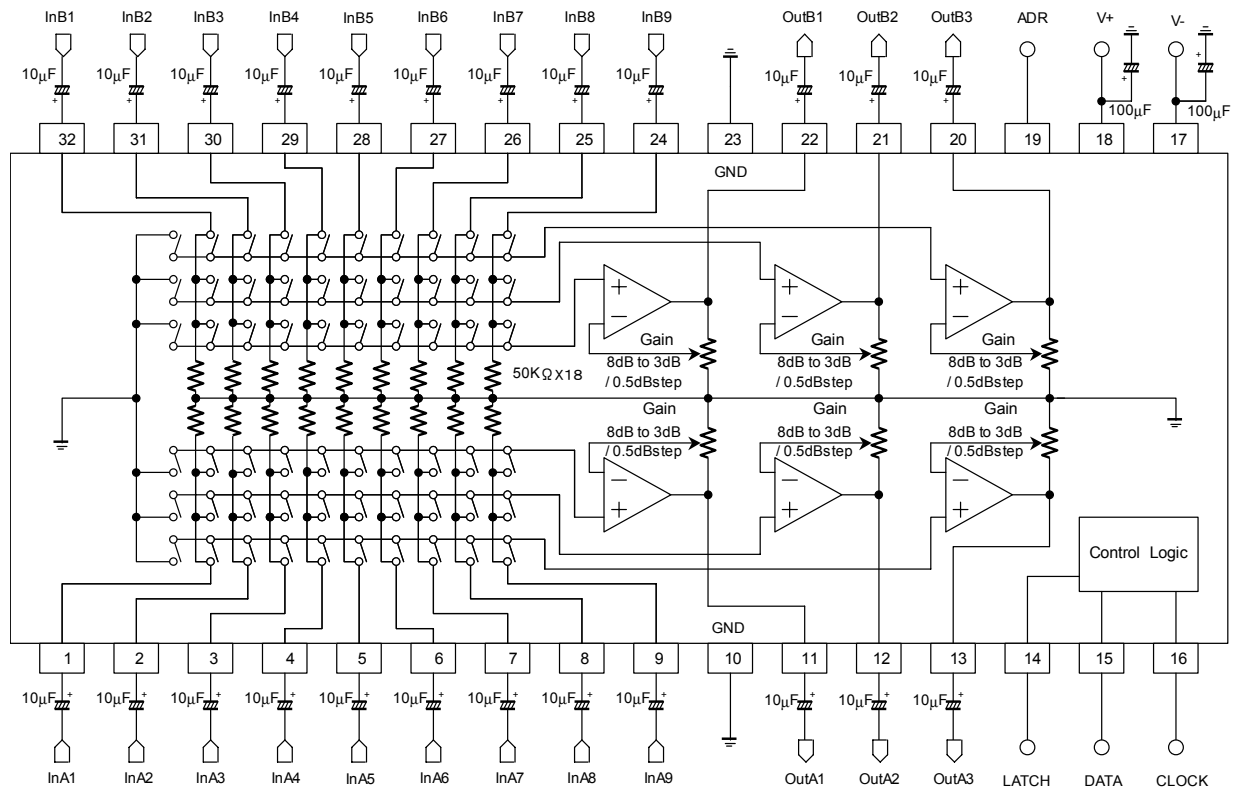


NJW1111V

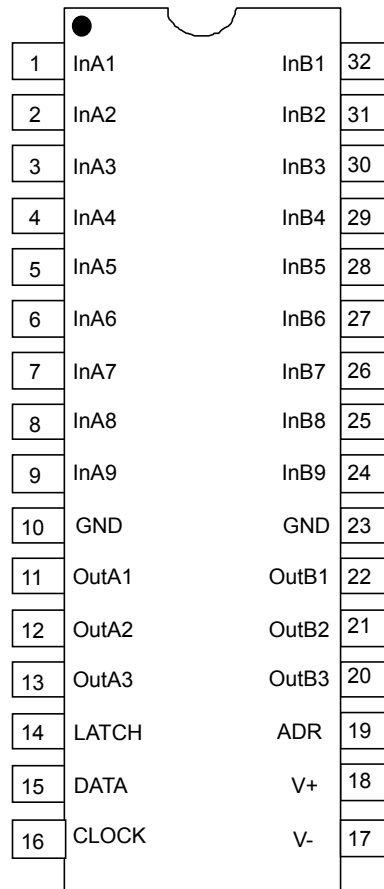
■ FEATURES

- Operating Voltage ±4.5 to ±7.5V
- 9-Input, 3-Output Stereo Audio Selector
- Operating Current 8mA typ.
- Low Distortion 0.0007% typ.
- Low Output Noise -116dBV typ.
- Low Crosstalk 110dB typ.
- Channel Separation 110dB typ.
- Variable Gain Buffer 0, 3 to 8dB/0.5dB step
- 3-Wired Serial Control
- Bi-CMOS Technology
- Package Outline SSOP32

■ BLOCK DIAGRAM



■PIN CONFIGURATION



No.	Symbol	Function	No.	Symbol	Function
1	InA1	Ach Input 1	17	V-	V- Power Supply Terminal
2	InA2	Ach Input 2	18	V+	V+ Power Supply Terminal
3	InA3	Ach Input 3	19	ADR	Chip address setting terminal
4	InA4	Ach Input 4	20	OutB3	Bch Output 3
5	InA5	Ach Input 5	21	OutB2	Bch Output 2
6	InA6	Ach Input 6	22	OutB1	Bch Output 1
7	InA7	Ach Input 7	23	GND	Ground Terminal
8	InA8	Ach Input 8	24	InB9	Bch Input 9
9	InA9	Ach Input 9	25	InB8	Bch Input 8
10	GND	Ground Terminal	26	InB7	Bch Input 7
11	OutA1	Ach Output 1	27	InB6	Bch Input 6
12	OutA2	Ach Output 2	28	InB5	Bch Input 5
13	OutA3	Ach Output 3	29	InB4	Bch Input 4
14	LATCH	LATCH	30	InB3	Bch Input 3
15	DATA	DATA	31	InB2	Bch Input 2
16	CLOCK	CLOCK	32	InB1	Bch Input 1

■ ABSOLUTE MAXIMUM RATING (Ta=25°C)

PARAMETER	SYMBOL	RATING	UNIT
Power Supply Voltage	V ⁺	+8/-8	V
Maximum Input Voltage	V _{IM}	V ⁺ /V ⁻	V
Power Dissipation	P _D	800 <small>NOTE: EIA/JEDEC STANDARD Test board (76.2x114.3x1.6mm, 2layer, FR-4) mounting</small>	mW
Operating Temperature Range	Topr	-40 to +85	°C
Storage Temperature Range	Tstg	-40 to +125	°C

■ RECOMMENDED OPERATING CONDITIONS (Ta=25°C)

PARAMETER	SYMBOL	TEST CONDITION	MIN.	TYP.	MAX.	UNIT
Operating Voltage	V ⁺ /V ⁻	-	±4.5	±7.0	±7.5	V

■ ELECTRICAL CHARACTERISTICS

◆ Power Supply (Ta=25°C, V⁺/V⁻=±7V)

PARAMETER	SYMBOL	TEST CONDITION	MIN.	TYP.	MAX.	UNIT
Supply Current 1	I _{CC}	V ⁺ , No Signal	4.0	8.0	12.0	mA
Supply Current 2	I _{EE}	V ⁻ No Signal	4.0	8.0	12.0	mA

◆ AC CHARACTERISTICS (Ta=25°C, V⁺/V⁻=±7V, V_{IN}=1Vrms, f=1kHz, R_L=47kΩ)

PARAMETER	SYMBOL	TEST CONDITION	MIN.	TYP.	MAX.	UNIT
Maximum Output Voltage	V _{OM}	THD=1%	10.6 (3.4)	12.9 (4.4)	-	dBV (Vrms)
Voltage Gain 1	G _{V1}	-	-0.5	0	0.5	dB
Voltage Gain 2	G _{V2}	V _{IN} =200mVrms, Gain=6dB	5.0	6.0	7.0	
Total Harmonic Distortion 1	THD1	BW=400Hz-30kHz	-	0.0007	0.02	%
Total Harmonic Distortion 2	THD2	V _{in} =2Vrms, BW=400Hz-30kHz	-	0.001	-	
Total Harmonic Distortion 3	THD3	f=10kHz, BW=400Hz-30kHz	-	0.001	-	
Mute Level	A _{TT}	Selector=Mute, A-weighted	-	-110	-	dB
Output Noise	V _{NO}	Rg=0Ω, A-Weighted	-	-116 (1.6)	-106 (5.0)	dBV (μVrms)
Cross Talk 1	CT1	Rg=0Ω, A-Weighted	-	-110	-	dB
Cross Talk 2	CT2	Rg=0Ω, f=20kHz	-	-96	-	
Channel Separation 1	CS1	Rg=0Ω, A-Weighted	-	-110	-90	dB
Channel Separation 2	CS2	Rg=0Ω, f=20kHz	-	-96	-	

BW: Band Width

◆ Logic Control Characteristics (Ta=25°C, V⁺/V⁻=±7V)

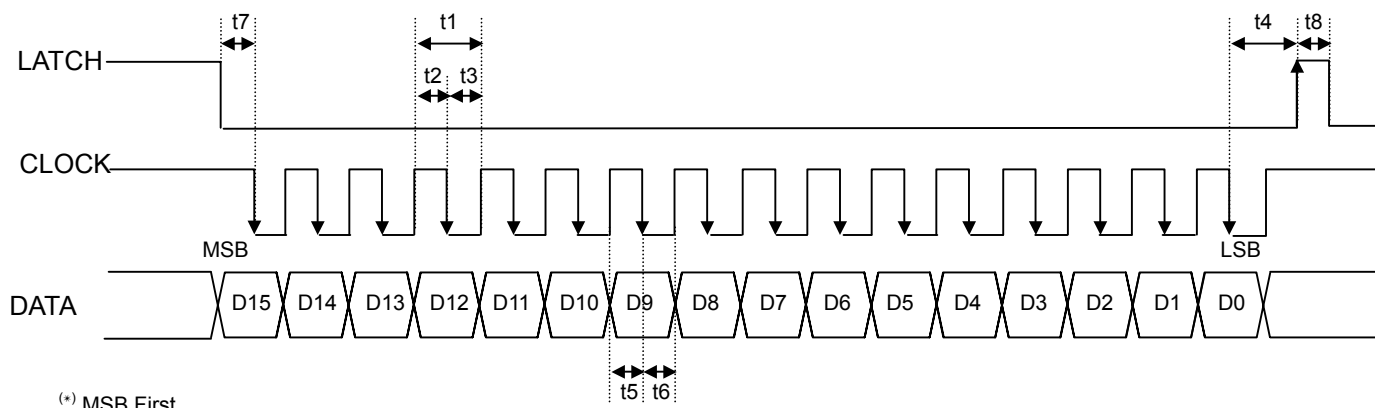
PARAMETER	SYMBOL	TEST CONDITION	MIN.	TYP.	MAX.	UNIT
High Level Input Voltage	V _{ADRH}	ADR Terminal	2.5	-	V ⁺	V
Low Level Input Voltage	V _{ADRL}	ADR Terminal	0	-	1.5	

NJW1111

■ TERMINAL DESCRIPTION

PIN NO.	SYMBOL	FUNCTION	EQUIVALENT CIRCUIT	TERMINAL DC VOLTAGE
1 to 9 32 to 24	InA1 to 9 InB1 to 9	Ach Input 1 to 9 Bch Input 1 to 9		0V
11 to 13 22 to 20	OutA1 to 3 OutB1 to 3	Ach Output 1 to 3 Bch Output 1 to 3		0V
17,18	V-,V+	V-,V+ Power Supply Terminal		V-,V+
10 23	GND	Ground Terminal		0V
14 15 16 19	LATCH DATA CLOCK ADR	LATCH DATA CLOCK Chip address setting terminal		0V

■ CONTROL DATA FORMAT



SYMBOL	PARAMETER	MIN	TYP	MAX	UNIT
t1	CLOCK Clock Width	4	-	-	μs
t2	CLOCK Pulse Width (High)	2	-	-	μs
t3	CLOCK Pulse Width (Low)	2	-	-	μs
t4	LATCH Rise Hold Time	4	-	-	μs
t5	DATA Setup Time	1.6	-	-	μs
t6	DATA Hold Time	1.6	-	-	μs
t7	CLOCK Setup Time	1.6	-	-	μs
t8	LATCH High Pulse Width	1.6	-	-	μs

NJW1111

■ CONTROL DATA

NJW1111 control data is constructed with 16bits.

MSB

D15	D14	D13	D12	D11	D10	D9	D8	D7	D6	D5	D4	D3	D2	D1	D0
Setting DATA								Select Address				Chip Address			

MSB

D15	D14	D13	D12	D11	D10	D9	D8	D7	D6	D5	D4	D3	D2	D1	D0
Gain1				Selector1				0	0	0	0	*	*	*	*
Gain2				Selector2				0	0	0	1	*	*	*	*
Gain3				Selector3				0	0	1	0	*	*	*	*

* Chip address is set by chip address select terminal (ADR) status.

Chip address select terminal	Chip Address			
	D3	D2	D1	D0
Low	1	0	1	0
High	1	0	1	1

■ INITIAL CONDITION

MSB

D15	D14	D13	D12	D11	D10	D9	D8	D7	D6	D5	D4	D3	D2	D1	D0
0	0	0	0	0	0	0	0	0	0	0	0	*	*	*	*
0	0	0	0	0	0	0	0	0	0	0	1	*	*	*	*
0	0	0	0	0	0	0	0	0	0	1	0	*	*	*	*

* Chip address is set by chip address select terminal (ADR) status.

■ CONTROL DATA

D15	D14	D13	D12	D11	D10	D9	D8	D7	D6	D5	D4	D3	D2	D1	D0
Gain1				Selector1				0	0	0	0	*	*	*	*
Gain2				Selector2				0	0	0	1	*	*	*	*
Gain3				Selector3				0	0	1	0	*	*	*	*

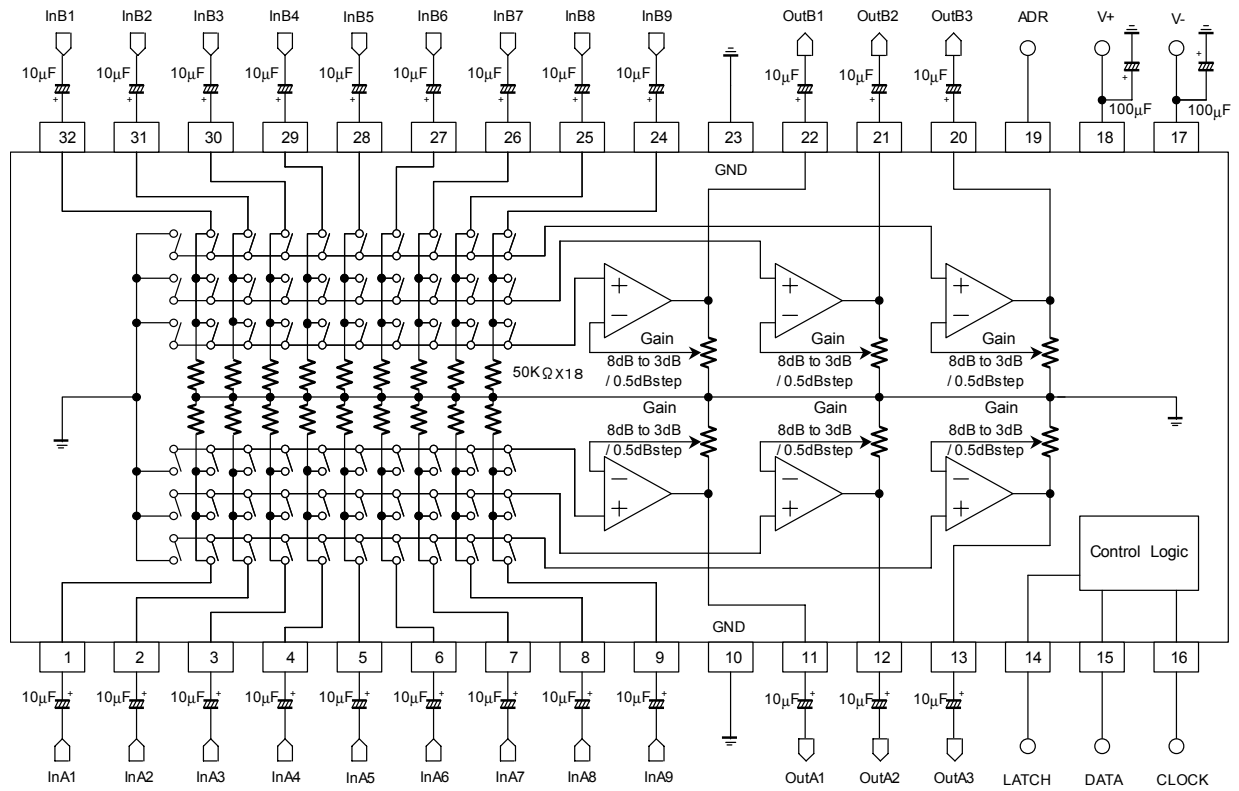
a)Gain

DATA				Setting
D15	D14	D13	D2	
0	0	0	0	0dB
0	0	0	1	+3.0 dB
0	0	1	0	+3.5 dB
0	0	1	1	+4.0 dB
0	1	0	0	+4.5 dB
0	1	0	1	+5.0 dB
0	1	1	0	+5.5 dB
0	1	1	1	+6.0 dB
1	0	0	0	+6.5 dB
1	0	0	1	+7.0 dB
1	0	1	0	+7.5 dB
1	0	1	1	+8.0 dB

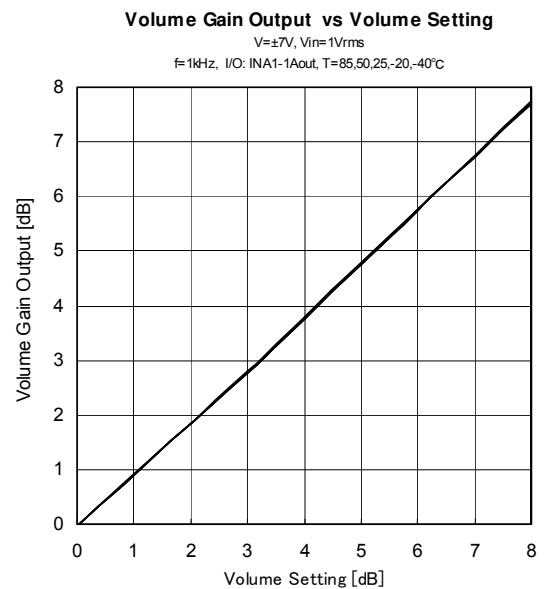
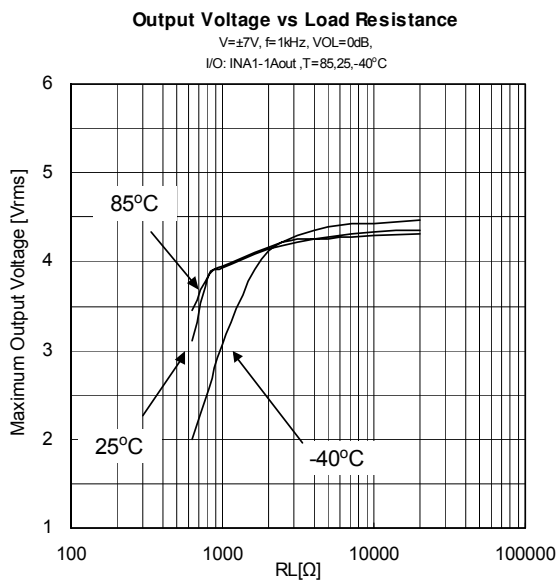
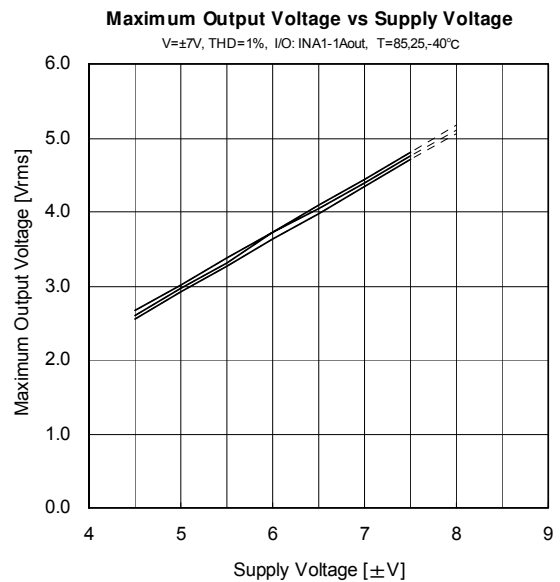
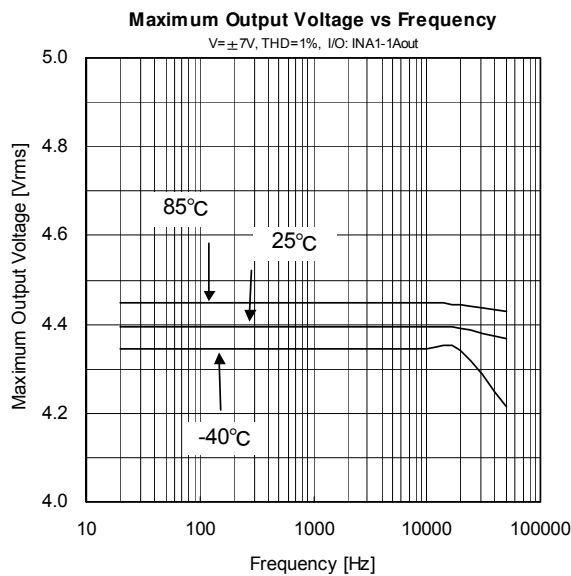
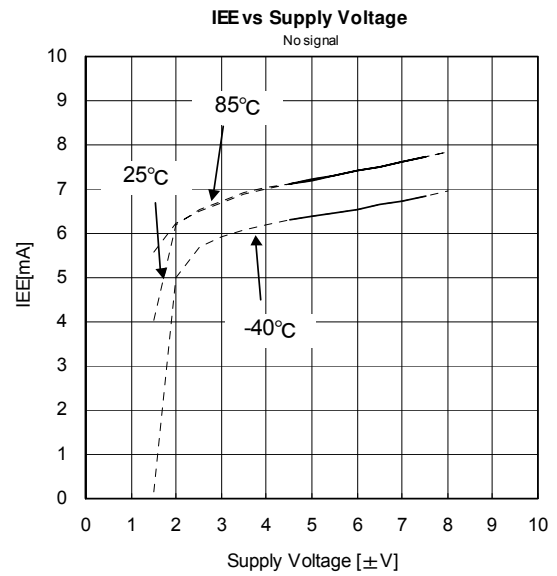
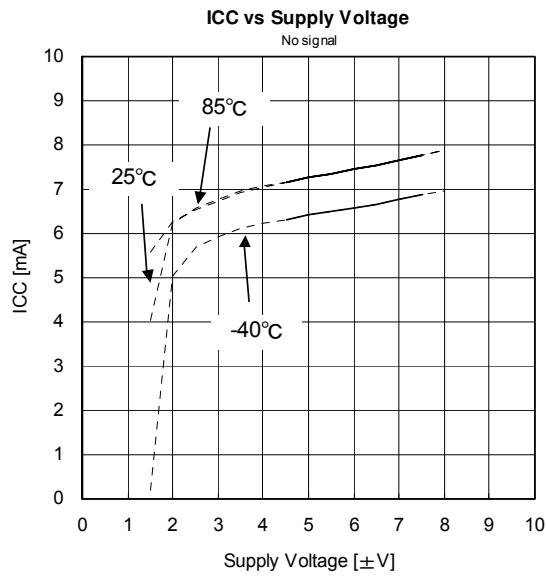
b)Input Selector

DATA				Setting
D11	D10	D9	D8	
0	0	0	0	Mute ^(*)
0	0	0	1	InA1/B1
0	0	1	0	InA2/B2
0	0	1	1	InA3/B3
0	1	0	0	InA4/B4
0	1	0	1	InA5/B5
0	1	1	0	InA6/B6
0	1	1	1	InA7/B7
1	0	0	0	InA8/B8
1	0	0	1	InA9/B9

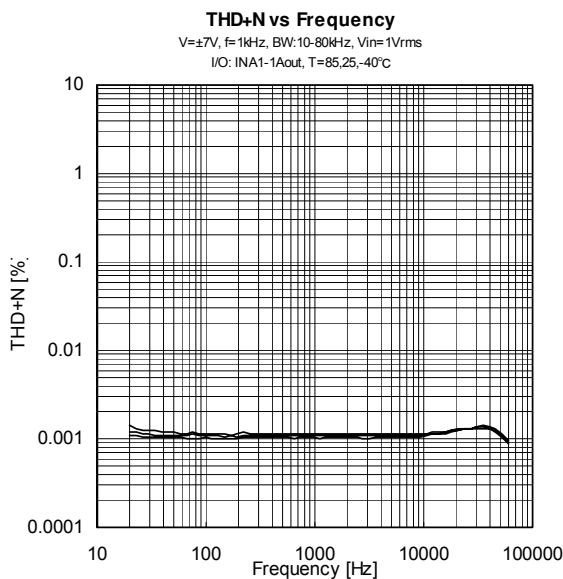
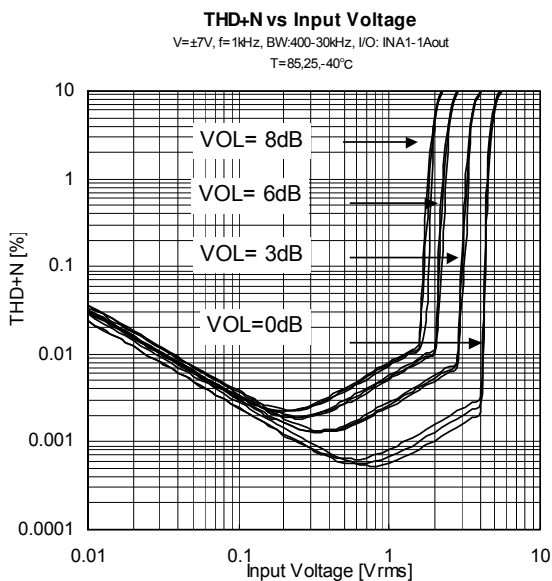
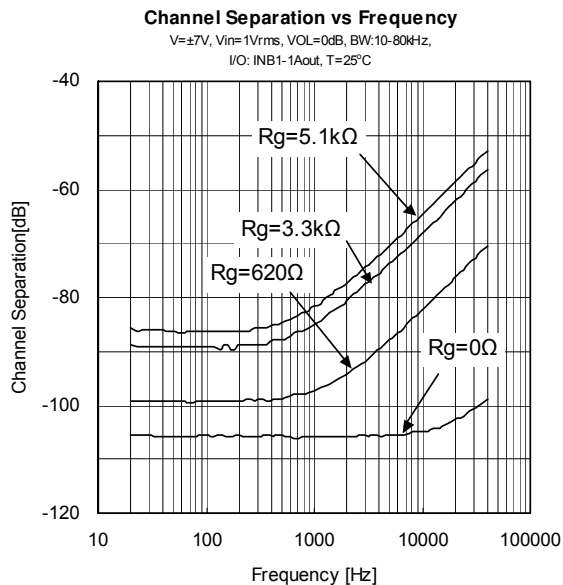
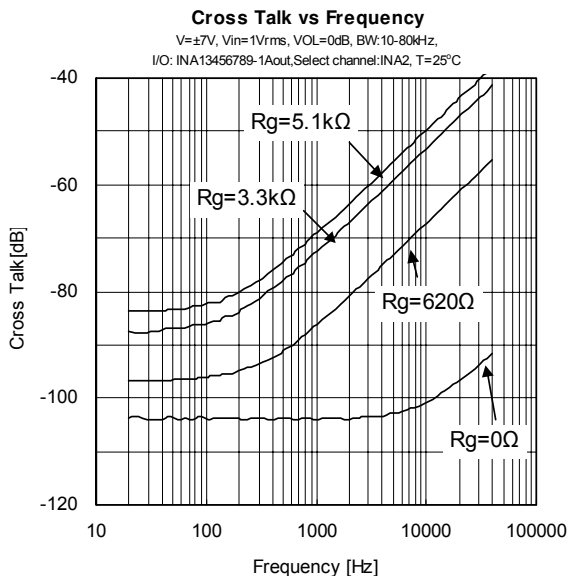
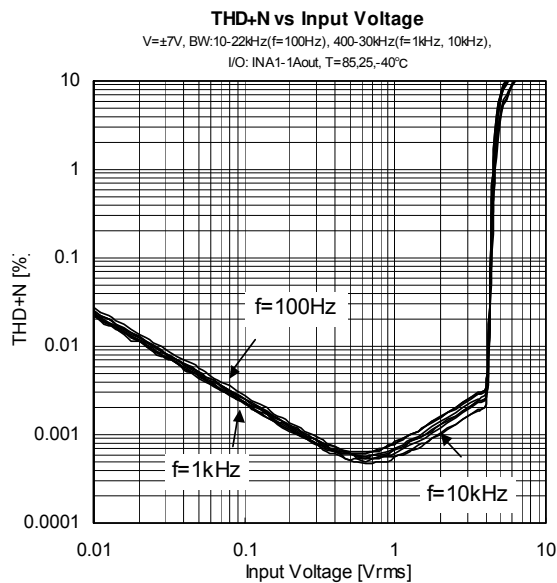
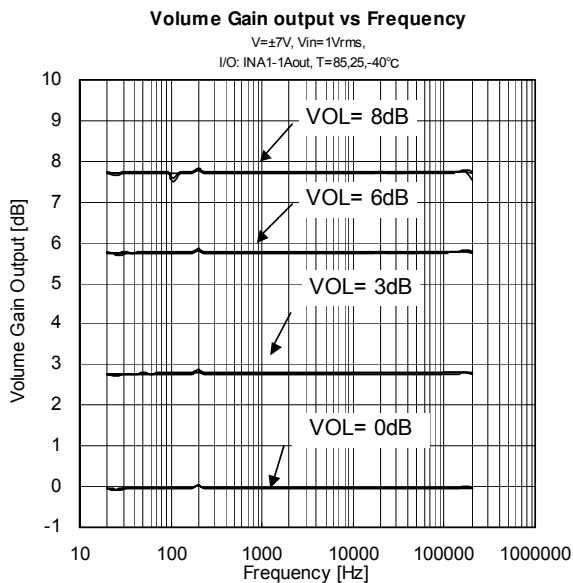
APPLICATION CIRCUIT



TYPICAL CHARACTERISTICS



TYPICAL CHARACTERISTICS



[CAUTION]

The specifications on this databook are only given for information, without any guarantee as regards either mistakes or omissions. The application circuits in this databook are described only to show representative usages of the product and not intended for the guarantee or permission of any right including the industrial rights.