



Chipsmall Limited consists of a professional team with an average of over 10 year of expertise in the distribution of electronic components. Based in Hongkong, we have already established firm and mutual-benefit business relationships with customers from,Europe,America and south Asia,supplying obsolete and hard-to-find components to meet their specific needs.

With the principle of “Quality Parts,Customers Priority,Honest Operation,and Considerate Service”,our business mainly focus on the distribution of electronic components. Line cards we deal with include Microchip,ALPS,ROHM,Xilinx,Pulse,ON,Everlight and Freescale. Main products comprise IC,Modules,Potentiometer,IC Socket,Relay,Connector.Our parts cover such applications as commercial,industrial, and automotives areas.

We are looking forward to setting up business relationship with you and hope to provide you with the best service and solution. Let us make a better world for our industry!



Contact us

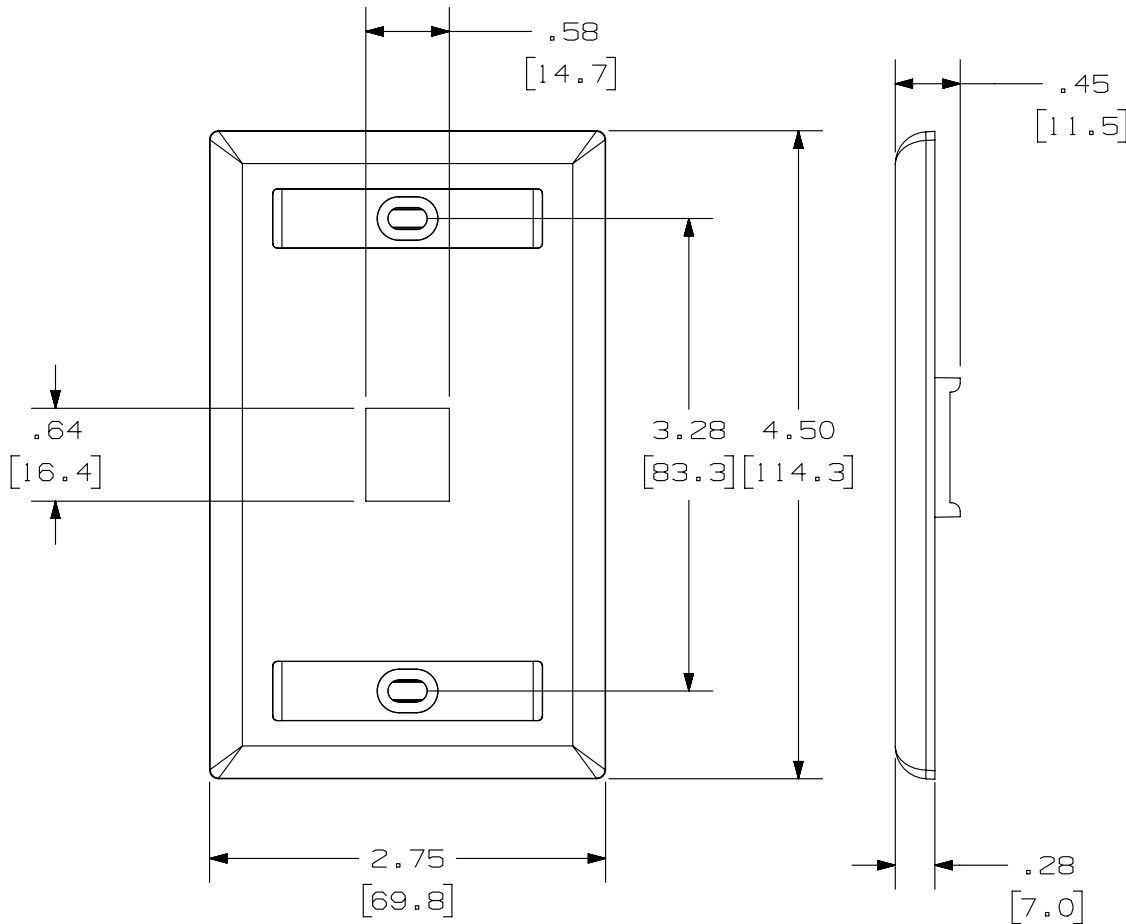
Tel: +86-755-8981 8866 Fax: +86-755-8427 6832

Email & Skype: info@chipsmall.com Web: www.chipsmall.com

Address: A1208, Overseas Decoration Building, #122 Zhenhua RD., Futian, Shenzhen, China



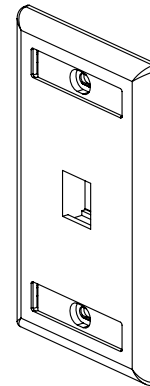
THIS COPY IS PROVIDED ON A RESTRICTED BASIS AND IS NOT TO BE USED IN ANY WAY DETRIMENTAL TO THE INTERESTS OF PANDUIT CORP.



PANDUIT P/N	WEIGHT
NK1F**Y	.49 LB/10 PCS (222 g/10 PCS)

NOTES:

- SEE CURRENT CATALOG FOR ADDITIONAL PART SUFFIXES TO INDICATE COLOR AND OR PACKAGE QUANTITY.
- FACEPLATE WILL ACCEPT ONE STANDARD NETKEY MODULE.
- PART INCLUDES:
 - 1- FACEPLATE
 - 2- MOUNTING SCREW
 - 2- LABEL
 - 2- LABEL COVER
- DIMENSIONS IN [] ARE IN METRIC.



PART NUMBER		NK1F**Y	
TITLE			
NETKEY 1 POSITION SINGLE GANG FACEPLATE WITH LABEL			
CUSTOMER DRAWING			
ITEM REVISION NAME		M02479BE/00	
DATASET FILE NAME		M02479BE_DC031/00B	
UNLESS OTHERWISE SPECIFIED, DIMENSIONAL TOLERANCES ARE: IN [mm]		MATERIAL:	
.x ± .xx ± .03 [.8]		ABS	
.xxx ± .010 [.3]		DRAWING NUMBER:	
ANGLES ±		02479-031	
THIRD ANGLE PROJECTION		SHT 1 OF 1	
DRAWN BY	DATE	CHK	SCALE
JSP	7-29-06	MJD	NONE
REV	DATE	BY	CHK
1	5-08-14	MDJR	REFR
R	7-29-06	JSP	MJD
APR	DESCRIPTION		ECN

1	5-08-14	MDJR	REFR	MMR	A. UPDATED TITLE BLOCK.	02479-031
R	7-29-06	JSP	MJD	MJD	RELEASED TO PRODUCTION	02479-031
REV	DATE	BY	CHK	APR	DESCRIPTION	ECN

D10100DA/14

2

1

2

1