



Chipsmall Limited consists of a professional team with an average of over 10 year of expertise in the distribution of electronic components. Based in Hongkong, we have already established firm and mutual-benefit business relationships with customers from,Europe,America and south Asia,supplying obsolete and hard-to-find components to meet their specific needs.

With the principle of “Quality Parts,Customers Priority,Honest Operation,and Considerate Service”,our business mainly focus on the distribution of electronic components. Line cards we deal with include Microchip,ALPS,ROHM,Xilinx,Pulse,ON,Everlight and Freescale. Main products comprise IC,Modules,Potentiometer,IC Socket,Relay,Connector.Our parts cover such applications as commercial,industrial, and automotives areas.

We are looking forward to setting up business relationship with you and hope to provide you with the best service and solution. Let us make a better world for our industry!



Contact us

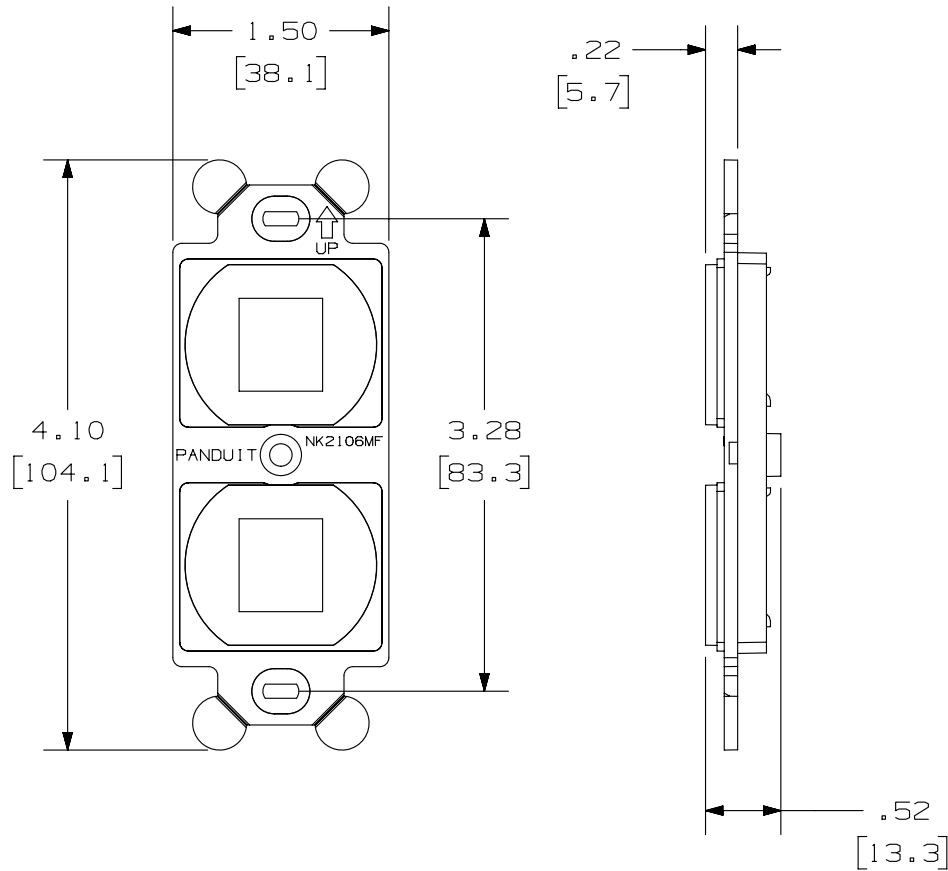
Tel: +86-755-8981 8866 Fax: +86-755-8427 6832

Email & Skype: info@chipsmall.com Web: www.chipsmall.com

Address: A1208, Overseas Decoration Building, #122 Zhenhua RD., Futian, Shenzhen, China



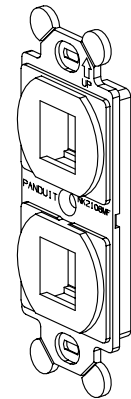
THIS COPY IS PROVIDED ON A RESTRICTED BASIS AND IS NOT TO BE USED IN ANY WAY DETRIMENTAL TO THE INTERESTS OF PANDUIT CORP.



| PANDUIT P/N | WEIGHT |
|-------------|-----------------------------------|
| NK2106MF** | .28 LB/10 PCS (126.5 g/10 PCS) |

NOTES:

- SEE CURRENT CATALOG FOR ADDITIONAL PART NUMBER SUFFIXES TO INDICATE COLOR AND OR PACKAGE QUANTITY.
- SEE CATALOG FOR COMPLETE LIST OF PARTS APPLICABLE FOR USE WITH THIS PART.
- DIMENSIONS IN PARENTHESES ARE IN METRIC.
- PART INCLUDES:
1- 106 FRAME
2- #6-32 X 1.00" MOUNTING SCREW



| | | | |
|---|-------------|-----------------------------|-------|
| PART NUMBER | | NK2106MF** | |
| TITLE | | NETKEY 2 POSITION 106 FRAME | |
| | | CUSTOMER DRAWING | |
| ITEM REVISION NAME | | M02070BA/04 | |
| DATASET FILE NAME | | M02070BA_DC02/04B | |
| UNLESS OTHERWISE SPECIFIED, DIMENSIONAL TOLERANCES ARE: IN [mm] | | MATERIAL: | |
| .x ± .xxx ± .010 [.3] | | ABS | |
| .xx ± .03 [.8] ANGLES ± | | DRAWING NUMBER: | |
| THIRD ANGLE PROJECTION | | 02070-02 | |
| DRAWN BY | DATE | CHK | SCALE |
| JSP | 9-13-04 | EB | NONE |
| REV | DATE | BY | CHK |
| | | | |
| APR | DESCRIPTION | | ECN |
| | | | |
| SHT 1 OF 1 | | A | |

| REV | DATE | BY | CHK | APR | DESCRIPTION | ECN |
|-----|---------|------|------|-----|-------------------------|----------|
| 1 | 5-08-14 | MDJR | REFR | MMR | A. UPDATED TITLE BLOCK. | 02070-02 |
| R | 9-13-04 | JSP | EB | EB | RELEASED TO PRODUCTION | 02070-02 |

D101000DA/14