



Chipsmall Limited consists of a professional team with an average of over 10 year of expertise in the distribution of electronic components. Based in Hongkong, we have already established firm and mutual-benefit business relationships with customers from,Europe,America and south Asia,supplying obsolete and hard-to-find components to meet their specific needs.

With the principle of “Quality Parts,Customers Priority,Honest Operation,and Considerate Service”,our business mainly focus on the distribution of electronic components. Line cards we deal with include Microchip,ALPS,ROHM,Xilinx,Pulse,ON,Everlight and Freescale. Main products comprise IC,Modules,Potentiometer,IC Socket,Relay,Connector.Our parts cover such applications as commercial,industrial, and automotives areas.

We are looking forward to setting up business relationship with you and hope to provide you with the best service and solution. Let us make a better world for our industry!



Contact us

Tel: +86-755-8981 8866 Fax: +86-755-8427 6832

Email & Skype: info@chipsmall.com Web: www.chipsmall.com

Address: A1208, Overseas Decoration Building, #122 Zhenhua RD., Futian, Shenzhen, China



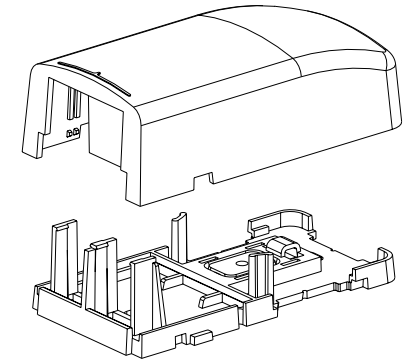
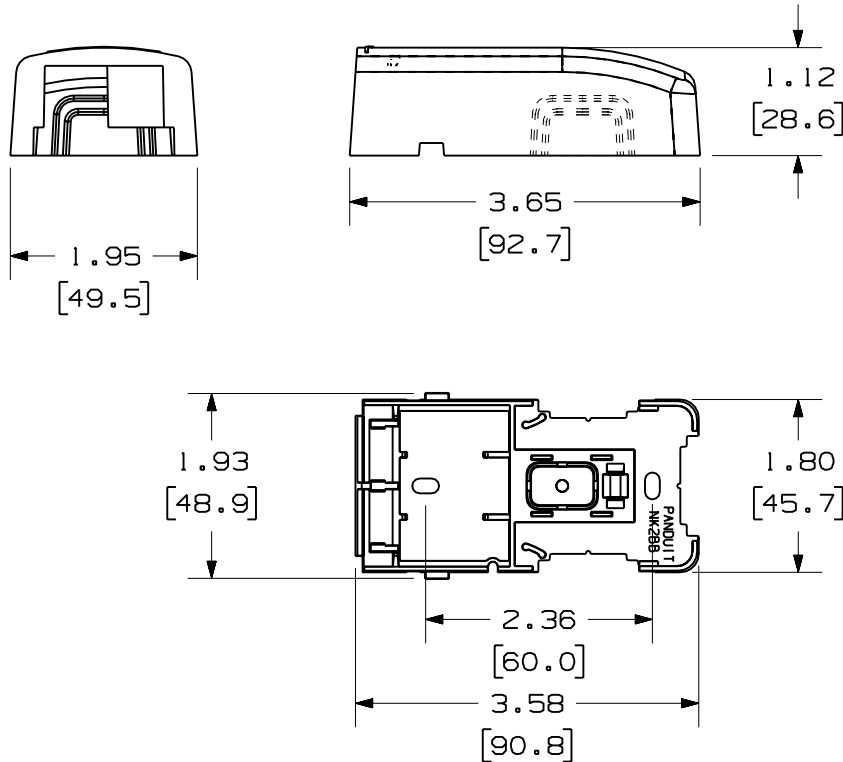
THIS COPY IS PROVIDED ON A RESTRICTED BASIS AND IS NOT TO BE USED IN ANY WAY DETRIMENTAL TO THE INTERESTS OF PANDUIT CORP.


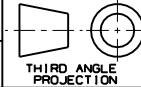
NO WARRANTY, EXPRESSED OR IMPLIED, IS MADE BY PANDUIT WITH RESPECT TO ADHESIVE BOND PERFORMANCE. AMONG OTHER THINGS, THE CONDITIONS UNDER WHICH THESE MOUNTS MAY BE APPLIED AND/OR THE SURFACE TO WHICH THEY MAY BE APPLIED ARE BEYOND PANDUIT'S CONTROL.

PANDUIT PART NO.	WEIGHT
NK2BX**-A	.76 LB/10 PCS (345.0 g/10 PCS)

NOTES:

- SEE CURRENT CATALOG FOR ADDITIONAL PART NUMBER SUFFIXES TO INDICATE COLOR AND/OR PACKAGE QUANTITY.
- BOX ACCEPTS 2 NETKEY™ MODULES.
- THIS PRODUCT CAN BE USED WITH PANDUIT TYPE LDS, LDP, AND LD RACEWAYS.
- DIMENSIONS IN PARANTHESIS ARE IN METRIC.
- PART INCLUDES:
 - 1- BOX COVER
 - 1- BOX BASE
 - 2- MOUNTING SCREW
 - 1- CABLE TIE
 - 1- FOAM TAPE



DRAWING FILENAME		M00661AC_DC_00A.PRT	SIZE	A
NETKEY™ 2 POSITION SURFACE MOUNT BOX CUSTOMER DRAWING				
 PANDUIT ® TINLEY PARK, IL 60477		I.I. NUMBER	N/A	
		PRODUCT SPEC	N/A	
 THIRD ANGLE PROJECTION		WORK INSTRUCTION	N/A	
		SCALE	NONE	
DRAWN BY	JsP	MATERIAL:	ABS	
DATE	11-10-05		PART NO.	
CHK'D			NK2BX**-A	
			DRAWING NO.	
			00661-01	

REV	DATE	BY	CHK	DESCRIPTION	ECN	R	CUST	SUP	OTH
R	11-10-05	JsP		RELEASED TO PRODUCTION	00661-01				