



Chipsmall Limited consists of a professional team with an average of over 10 year of expertise in the distribution of electronic components. Based in Hongkong, we have already established firm and mutual-benefit business relationships with customers from,Europe,America and south Asia,supplying obsolete and hard-to-find components to meet their specific needs.

With the principle of “Quality Parts,Customers Priority,Honest Operation,and Considerate Service”,our business mainly focus on the distribution of electronic components. Line cards we deal with include Microchip,ALPS,ROHM,Xilinx,Pulse,ON,Everlight and Freescale. Main products comprise IC,Modules,Potentiometer,IC Socket,Relay,Connector.Our parts cover such applications as commercial,industrial, and automotives areas.

We are looking forward to setting up business relationship with you and hope to provide you with the best service and solution. Let us make a better world for our industry!



Contact us

Tel: +86-755-8981 8866 Fax: +86-755-8427 6832

Email & Skype: info@chipsmall.com Web: www.chipsmall.com

Address: A1208, Overseas Decoration Building, #122 Zhenhua RD., Futian, Shenzhen, China



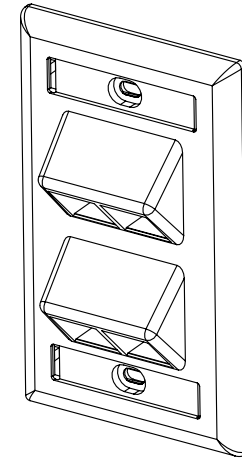
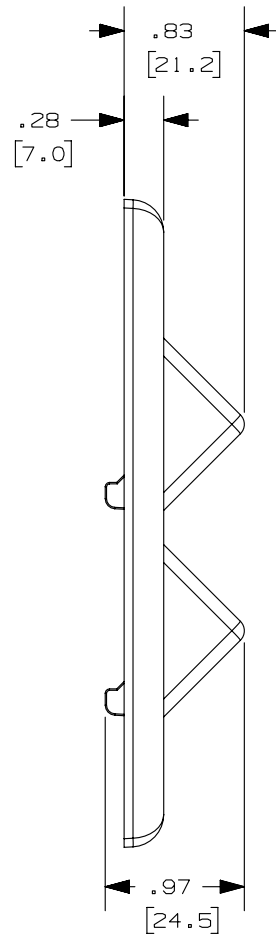
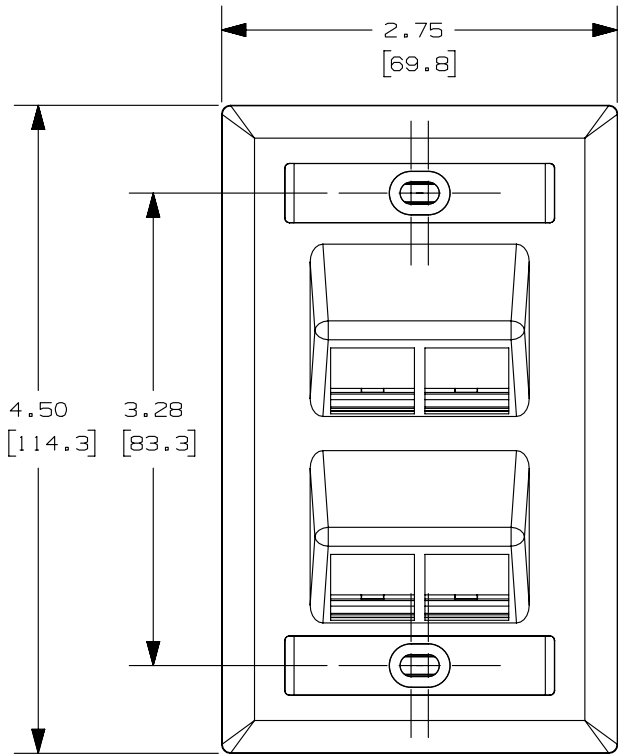
THIS COPY IS PROVIDED ON A RESTRICTED BASIS AND IS NOT TO BE USED IN ANY WAY DETRIMENTAL TO THE INTERESTS OF PANDUIT CORP.

PANDUIT P/N	WEIGHT
NK4VSF**	.58 LB/10 PCS (262 g/10 PCS)



NOTES:

1. SEE CURRENT CATALOG FOR ADDITIONAL PART SUFFIXES TO INDICATE COLOR AND OR PACKAGE QUANTITY.
2. FACEPLATE WILL ACCEPT FOUR NETKEY MODULES.
3. PART INCLUDES:
 - 1- FACEPLATE
 - 2- MOUNTING SCREWS
 - 2- LABELS
 - 2- LABEL COVERS
4. DIMENSIONS IN PARENTHESES ARE IN METRIC.



PART NUMBER		NK4VSF**	
TITLE			
NETKEY 4 PORT VERTICAL SLOPED FACEPLATE WITH LABELS		CUSTOMER DRAWING	
ITEM REVISION NAME		09M110DA/07	
DATASET FILE NAME		09M110DA_DC02/07C	
UNLESS OTHERWISE SPECIFIED, DIMENSIONAL TOLERANCES ARE: IN [mm]		MATERIAL:	
.x ± .xxx ± .010 [.3]		ABS	
.xx ± .03 [.8]		DRAWING NUMBER:	
THIRD ANGLE PROJECTION		09M110DA-02	
DRAWN BY	DATE	CHK	SCALE
MDJR	3-03-11	MBVE	NONE
REV	DATE	BY	CHK
APR	DESCRIPTION		ECN
SHT 1 OF 1		A	

3	6-23-14	MDJR	REFR	LPH	E. UPDATED TITLE BLOCK.	09M110DA-02
2	7-12-11	MDJR	MBVE	MBVE	D. RELEASED DRAWING FOR APPROVAL. C. REVISED WEIGHT. B. REVISED TITLE FOR ERROR.	09M110DA-02
1	5-19-11	MDJR			A. UPDATED MODEL TO REV. 07.	09M110DA-02
R	3-03-11	MDJR			RELEASED TO PRODUCTION	09M110DA-02

D10100DA/14

2

1

2

1