



Chipsmall Limited consists of a professional team with an average of over 10 year of expertise in the distribution of electronic components. Based in Hongkong, we have already established firm and mutual-benefit business relationships with customers from,Europe,America and south Asia,supplying obsolete and hard-to-find components to meet their specific needs.

With the principle of “Quality Parts,Customers Priority,Honest Operation,and Considerate Service”,our business mainly focus on the distribution of electronic components. Line cards we deal with include Microchip,ALPS,ROHM,Xilinx,Pulse,ON,Everlight and Freescale. Main products comprise IC,Modules,Potentiometer,IC Socket,Relay,Connector.Our parts cover such applications as commercial,industrial, and automotives areas.

We are looking forward to setting up business relationship with you and hope to provide you with the best service and solution. Let us make a better world for our industry!



Contact us

Tel: +86-755-8981 8866 Fax: +86-755-8427 6832

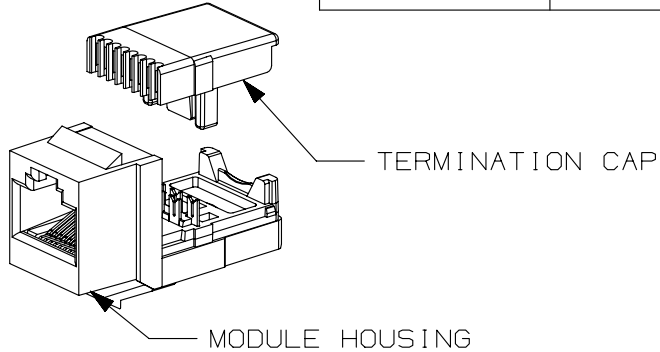
Email & Skype: info@chipsmall.com Web: www.chipsmall.com

Address: A1208, Overseas Decoration Building, #122 Zhenhua RD., Futian, Shenzhen, China



THIS COPY IS PROVIDED ON A RESTRICTED BASIS AND IS NOT TO BE USED IN ANY WAY DETRIMENTAL TO THE INTERESTS OF PANDUIT CORP.

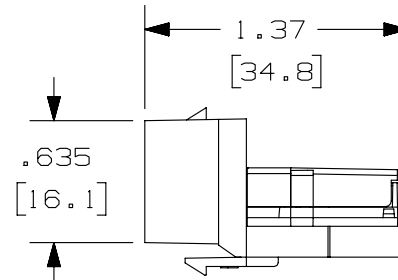
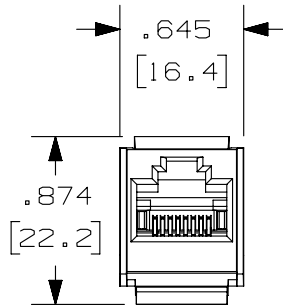
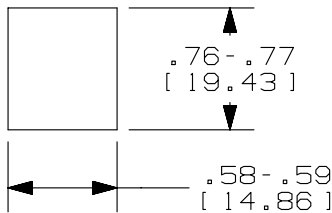
PANDUIT PART NO.	DESCRIPTION	WEIGHT
NK588M**Y	8 POSITION, 8 WIRE CATEGORY 5 UNIVERSAL (A/B) MODULAR JACK. TERMINATION CAP IS COLOR CODED FOR T568 WIRING SCHEMES.	.66 LB/50 PCS [300 g/50 PCS]
NK5E88M**Y	8 POSITION, 8 WIRE CATEGORY 5E UNIVERSAL (A/B) MODULAR JACK. TERMINATION CAP IS COLOR CODED FOR T568 WIRING SCHEMES.	



NOTES:

- SEE CURRENT NETKEY CATALOG FOR ADDITIONAL PART NUMBER SUFFIXES TO INDICATE COLOR AND OR PACKAGE QUANTITY.
- MATERIAL:
MODULE HOUSING: ABS
NOMINAL WALL THICKNESS: .078(2.0)
TERMINATION CAP: POLYCARBONATE.
- ALL 8 POSITION, 8 WIRE CONNECTOR MODULES WILL ACCEPT THREE OR FOUR PAIR MODULAR PLUGS WITHOUT DAMAGE.
- DIMENSIONS IN BRACKETS ARE IN METRIC.

PANEL OPENING REQUIREMENTS
PANEL THICKNESS: (.048" - .058")



ACTUAL SIZE

PART NUMBER NK5*****Y	
TITLE NETKEY TWISTED PAIR CONNECTOR MODULE	
CUSTOMER DRAWING	
ITEM REVISION NAME M02479NK/01	PANDUIT
DATASET FILE NAME M02479NK_DC350/00B	
UNLESS OTHERWISE SPECIFIED, DIMENSIONAL TOLERANCES ARE: IN [mm]	
.x ± .xx ± .03 [.8]	.xxx ± .010 [.3] ANGLES ±
THIRD ANGLE PROJECTION	
DRAWING NUMBER: 02479-350	
DRAWN BY WJC	DATE 3-25-06
CHK RMD	SCALE FULL
SHT 1 OF 1	
SIZE A	

REV	DATE	BY	CHK	APR	DESCRIPTION	ECN
1	5-12-14	MDJR	REFR	JCK	A. UPDATED TITLE BLOCK.	02479-350
R	3-25-06	NER	WJC	RMD	RELEASED TO PRODUCTION	02479-350

D10100DA/14