



Chipsmall Limited consists of a professional team with an average of over 10 year of expertise in the distribution of electronic components. Based in Hongkong, we have already established firm and mutual-benefit business relationships with customers from,Europe,America and south Asia,supplying obsolete and hard-to-find components to meet their specific needs.

With the principle of "Quality Parts,Customers Priority,Honest Operation,and Considerate Service",our business mainly focus on the distribution of electronic components. Line cards we deal with include Microchip,ALPS,ROHM,Xilinx,Pulse,ON,Everlight and Freescale. Main products comprise IC,Modules,Potentiometer,IC Socket,Relay,Connector.Our parts cover such applications as commercial,industrial, and automotives areas.

We are looking forward to setting up business relationship with you and hope to provide you with the best service and solution. Let us make a better world for our industry!



Contact us

Tel: +86-755-8981 8866 Fax: +86-755-8427 6832

Email & Skype: info@chipsmall.com Web: www.chipsmall.com

Address: A1208, Overseas Decoration Building, #122 Zhenhua RD., Futian, Shenzhen, China



2

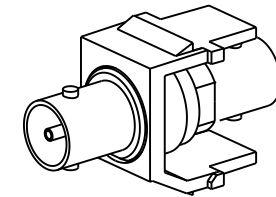
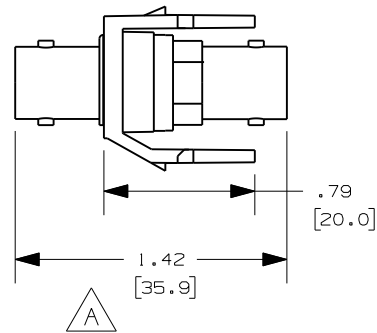
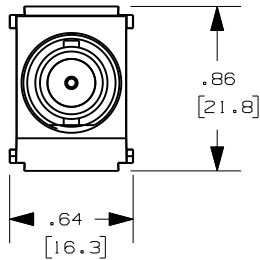
1

THIS COPY IS PROVIDED ON A RESTRICTED BASIS AND IS NOT TO BE USED IN ANY WAY DETRIMENTAL TO THE INTERESTS OF PANDUIT CORP.

PANDUIT P/N	WEIGHT
NKBNCM**Y	.36 LB/10 PCS (165 g/10 PCS)

NOTES:

1. SEE CURRENT CATALOG FOR ADDITIONAL PART NUMBER SUFFIXES TO INDICATE COLOR AND OR PACKAGE QUANTITY.
2. SEE CATALOG FOR COMPLETE LIST OF PARTS APPLICABLE FOR USE WITH THIS PART.
3. DIMENSIONS IN PARENTHESES ARE IN METRIC.
4. PART INCLUDES:
 - 1- MODULE BASE
 - 1- BNC COUPLER (ASSEMBLED TO MODULE BASE)



PART NUMBER	NKBNCM**Y	PRODUCT SPEC/PKG SPEC	N/A
I.I. NUMBER	N/A	WORK INSTRUCTION	N/A

TITLE	
NETKEY 50ohm BNC COUPLER MODULE	
CUSTOMER DRAWING	
ITEM REVISION NAME	M02479HU/00.PRT

DATASET FILE NAME	M02479HU_DC205/00B.PRT	PANDUIT TM
UNLESS OTHERWISE SPECIFIED, DIMENSIONAL TOLERANCES ARE: IN [mm]		

.x : .1 [2.54] .xxx : .010 [.254]		PANDUIT TM
.xx : .02 [.50] ANGLES : 5 °		
		MATERIAL:
THIRD ANGLE PROJECTION		ABS
DRAWING NUMBER:		02479-205

1	10-5-12	BJN	MBVE	MBVE	A. LENGTH DIMENSION WAS 1.28	02479-205
R	4-24-06	JSP			RELEASED TO PRODUCTION	02479-205

REV	DATE	BY	CHK	APR	DESCRIPTION	ECN
-----	------	----	-----	-----	-------------	-----

DRAWN BY	DATE	CHK	SCALE	SHT 1 OF 1	SIZE
JSP	4-24-06		NONE		A

2

1