



Chipsmall Limited consists of a professional team with an average of over 10 year of expertise in the distribution of electronic components. Based in Hongkong, we have already established firm and mutual-benefit business relationships with customers from,Europe,America and south Asia,supplying obsolete and hard-to-find components to meet their specific needs.

With the principle of “Quality Parts,Customers Priority,Honest Operation,and Considerate Service”,our business mainly focus on the distribution of electronic components. Line cards we deal with include Microchip,ALPS,ROHM,Xilinx,Pulse,ON,Everlight and Freescale. Main products comprise IC,Modules,Potentiometer,IC Socket,Relay,Connector.Our parts cover such applications as commercial,industrial, and automotives areas.

We are looking forward to setting up business relationship with you and hope to provide you with the best service and solution. Let us make a better world for our industry!



Contact us

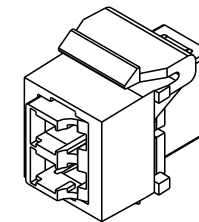
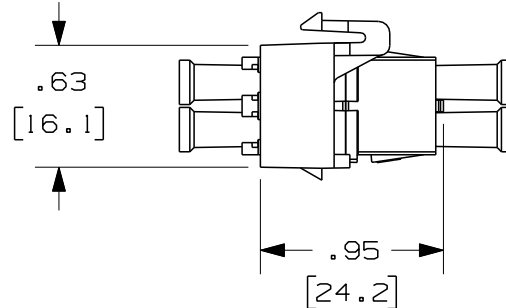
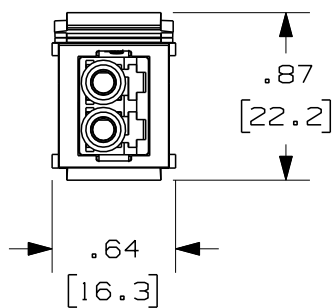
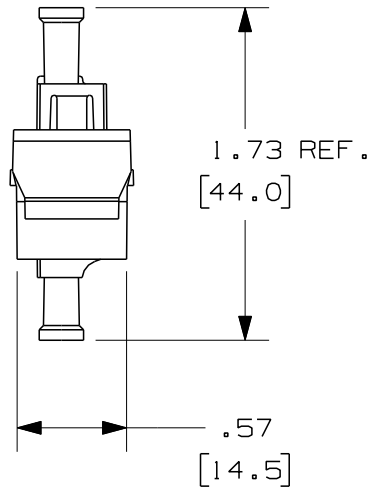
Tel: +86-755-8981 8866 Fax: +86-755-8427 6832

Email & Skype: info@chipsmall.com Web: www.chipsmall.com

Address: A1208, Overseas Decoration Building, #122 Zhenhua RD., Futian, Shenzhen, China



THIS COPY IS PROVIDED ON A RESTRICTED BASIS AND IS NOT TO BE USED IN ANY WAY DETRIMENTAL TO THE INTERESTS OF PANDUIT CORP.



ISOMETRIC VIEW
SHOWN W/O DUST CAPS

PANDUIT P/N	WEIGHT	SPLIT SLEEVE TYPE
NKDLCM**	.09 lbs/10 pcs [39.4 g/10 pcs]	PHOSPHOR BRONZE
NKDLCMZ**	.09 lbs/10 pcs [39.4 g/10 pcs]	ZIRCONIA

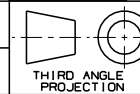
NOTES:

- SEE CURRENT CATALOG FOR PART NUMBER SUFFIXES TO INDICATE COLOR OF MODULE BASE, AND/OR PACKAGE QUANTITIES.
- SEE CATALOG FOR COMPLETE LIST OF PARTS APPLICABLE FOR USE WITH THIS PART.
- MATERIALS:
 - MODULE BASE: ABS
 - ADAPTER HOUSING: POLYCARBONATE
 - SPLIT SLEEVE: PHOSPHOR BRONZE/ZIRCONIA
 - INNER LATCH: POLYETHERIMIDE
 - DUST CAP: THERMOPLASTIC ELASTOMER
- COMPLIANT WITH TIA/EIA-604-10 (FOCIS-10) AND TIA/EIA-568-B.3
- DIMENSIONS IN BRACKETS ARE METRIC [mm]

NETKEY FIBER OPTIC
DUPLEX LC ADAPTER MODULE
CUSTOMER DRAWING



PANDUIT™
CORP.
TINLEY PARK, ILL 60477



ALL DIMENSIONS ARE GIVEN IN INCHES,
UNLESS OTHERWISE SPECIFIED.
DIMENSIONAL TOLERANCES ARE:
(.X) (.XXX) ±.010 (0.3)
(.XX) ±.03 (0.8) ANGLES

DRAWING FILENAME
MO2066AB_DC_00A.prt

SCALE
NONE

DRAWN BY
MC

REVIEW DRAWING NUMBERS

PART NO.
NKDLCM**/NKDLCMZ**

DATE
09-20-04

SEE NOTES

DRAWING NO.

02066-06

SIZE

A

REV	DATE	BY	CHK	DESCRIPTION	ECN	R	CUST	SUP	OTH
R	10-14-04	MC		RELEASED TO PRODUCTION	02066-06				