



Chipsmall Limited consists of a professional team with an average of over 10 year of expertise in the distribution of electronic components. Based in Hongkong, we have already established firm and mutual-benefit business relationships with customers from,Europe,America and south Asia,supplying obsolete and hard-to-find components to meet their specific needs.

With the principle of "Quality Parts,Customers Priority,Honest Operation,and Considerate Service",our business mainly focus on the distribution of electronic components. Line cards we deal with include Microchip,ALPS,ROHM,Xilinx,Pulse,ON,Everlight and Freescale. Main products comprise IC,Modules,Potentiometer,IC Socket,Relay,Connector.Our parts cover such applications as commercial,industrial, and automotives areas.

We are looking forward to setting up business relationship with you and hope to provide you with the best service and solution. Let us make a better world for our industry!



Contact us

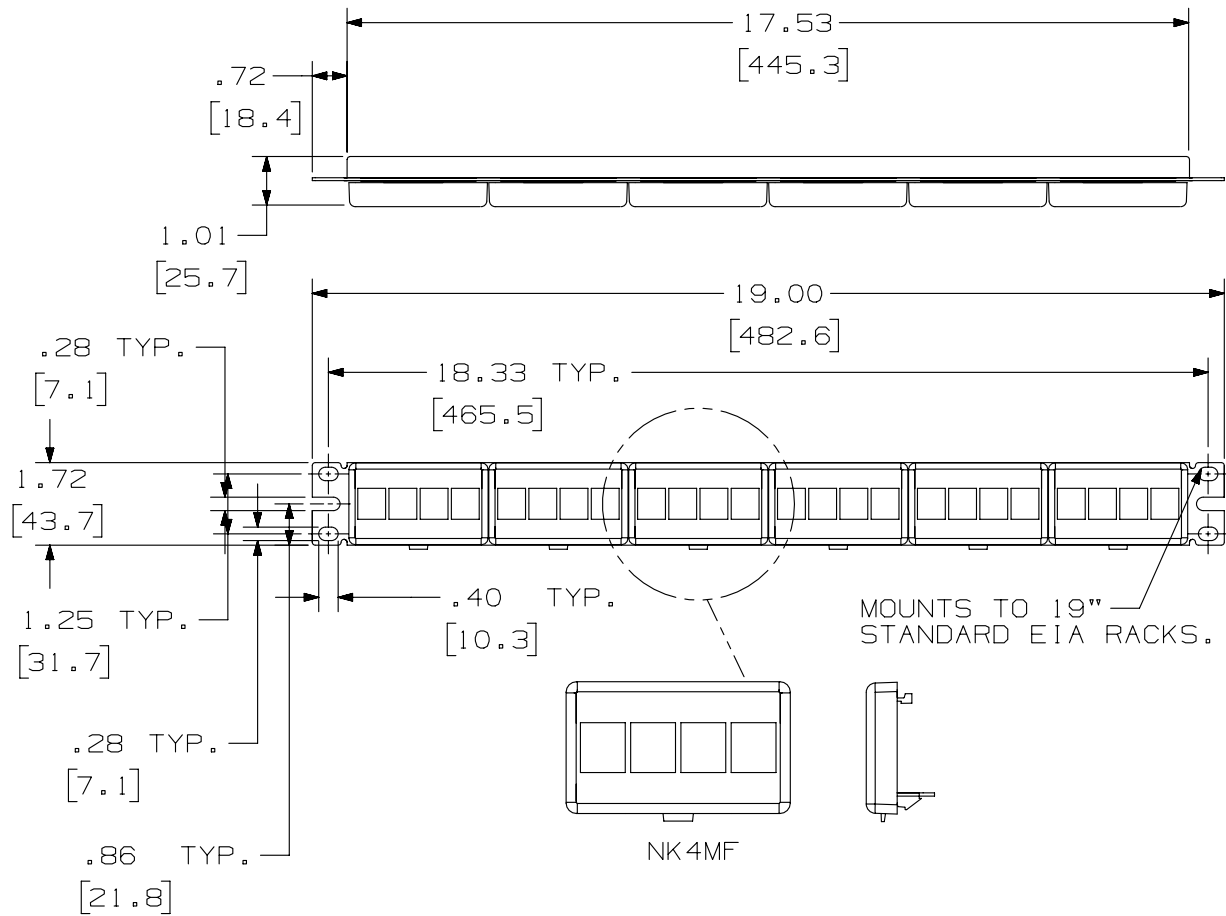
Tel: +86-755-8981 8866 Fax: +86-755-8427 6832

Email & Skype: info@chipsmall.com Web: www.chipsmall.com

Address: A1208, Overseas Decoration Building, #122 Zhenhua RD., Futian, Shenzhen, China

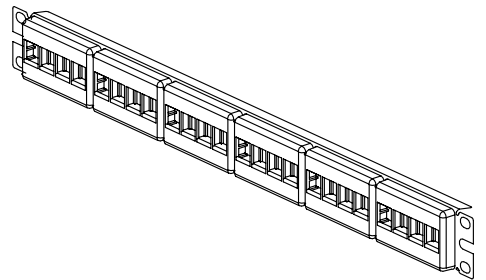


THIS COPY IS PROVIDED ON A RESTRICTED BASIS AND IS NOT TO BE USED IN ANY WAY DETRIMENTAL TO THE INTERESTS OF PANDUIT CORP.



PANDUIT PART NO.	WEIGHT
NKFP24Y	7.12 LB/10 PCS (3236 g/10 PCS)

- NOTES:
- SEE CURRENT CATALOG FOR VARIOUS APPLICATIONS WITH THIS WIRING SYSTEM.
 - PATCH PANEL IS DESIGNED FOR MOUNTING TO 19" STANDARD EIA RACKS.
 - PATCH PANELS ACCEPT ALL NETKEY MODULES.
 - DIMENSIONS IN [] ARE METRIC.
 - PART INCLUDES:
 - (1) -24 PORT STAMPING
 - (6) -FURNITURE FACEPLATE (ASSEMBLED TO STAMPING)
 - (1) -SCREW KIT (INCLUDES FOUR #12-24 SCREWS)
 - (1) -SCREW KIT (INCLUDES FOUR M6 SCREWS)



REV	DATE	BY	CHK	APR	DESCRIPTION	ECN
1	5/19/14	JSP	REFR	JCK	A. REVISED DRAWING TITLE BLOCK.	02479-091
R	3-11-06	JSP	MJD	MJD	RELEASED TO PRODUCTION	02479-091

PART NUMBER		NKFP24Y		
TITLE				
NETKEY 24 PORT MODULAR FACEPLATE PATCH PANEL				
CUSTOMER DRAWING				
ITEM REVISION NAME		M02479DK/00		
DATASET FILE NAME		M02479DK_DC91/00B		
UNLESS OTHERWISE SPECIFIED, DIMENSIONAL TOLERANCES ARE: IN [mm]				
.x ±		.xxx ± .010 [.3]		
.xx ± .03 [.8]		ANGLES ±		
DRAWING NUMBER:				02479-091
DRAWN BY	DATE	CHK	SCALE	SIZE
JSP	3-11-06	MJD	NONE	A
SHT 1 OF 1				

D10100DA/14