



Chipsmall Limited consists of a professional team with an average of over 10 year of expertise in the distribution of electronic components. Based in Hongkong, we have already established firm and mutual-benefit business relationships with customers from,Europe,America and south Asia,supplying obsolete and hard-to-find components to meet their specific needs.

With the principle of “Quality Parts,Customers Priority,Honest Operation,and Considerate Service”,our business mainly focus on the distribution of electronic components. Line cards we deal with include Microchip,ALPS,ROHM,Xilinx,Pulse,ON,Everlight and Freescale. Main products comprise IC,Modules,Potentiometer,IC Socket,Relay,Connector.Our parts cover such applications as commercial,industrial, and automotives areas.

We are looking forward to setting up business relationship with you and hope to provide you with the best service and solution. Let us make a better world for our industry!



## Contact us

Tel: +86-755-8981 8866 Fax: +86-755-8427 6832

Email & Skype: info@chipsmall.com Web: www.chipsmall.com

Address: A1208, Overseas Decoration Building, #122 Zhenhua RD., Futian, Shenzhen, China

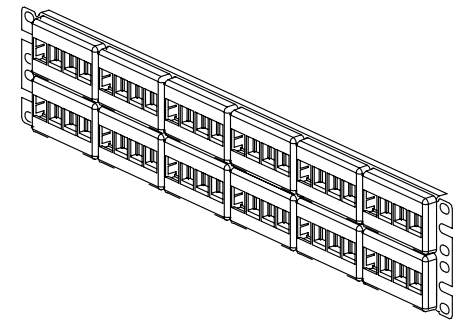
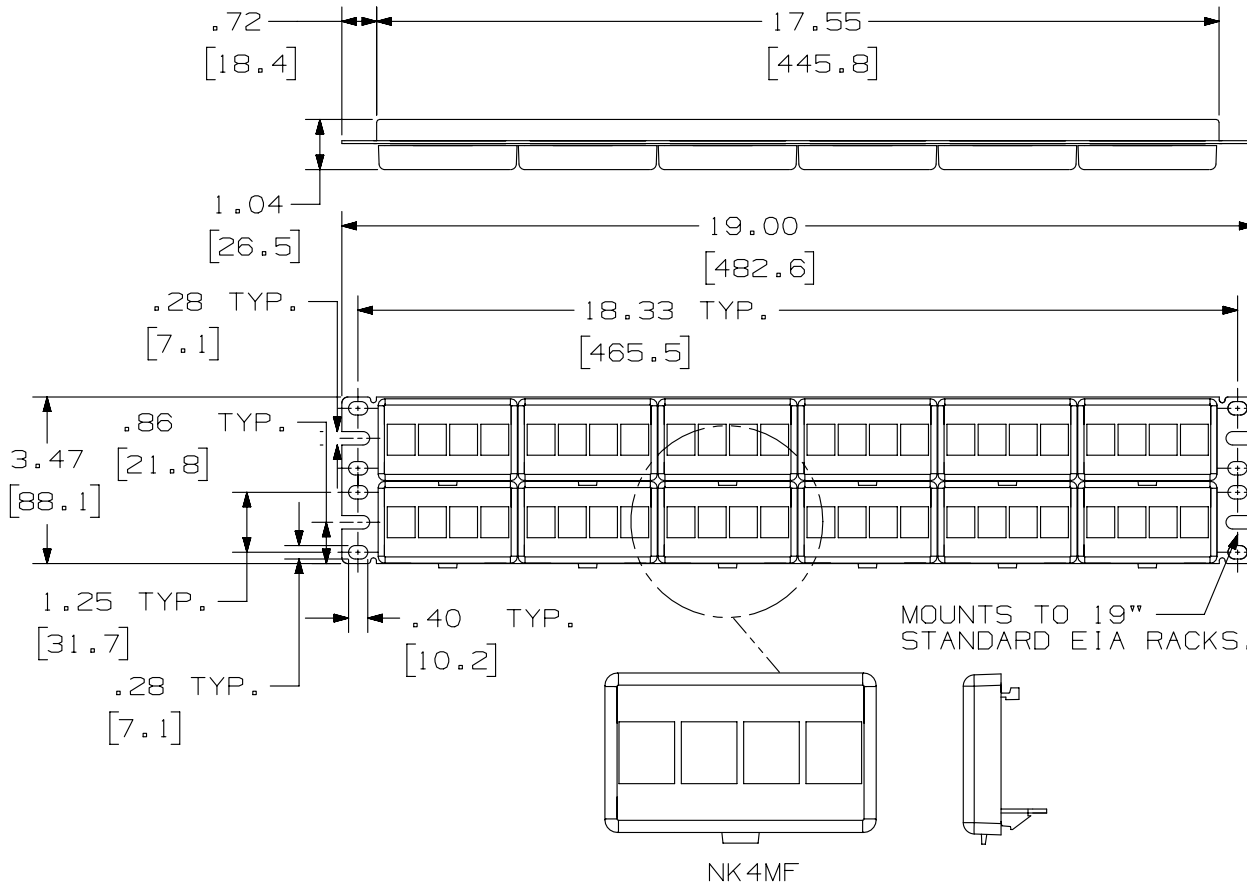


THIS COPY IS PROVIDED ON A RESTRICTED BASIS AND IS NOT TO BE USED IN ANY WAY DETRIMENTAL TO THE INTERESTS OF PANDUIT CORP.

PANDUIT PART NO.	WEIGHT
NKFP48Y	8.75 LB/10 PCS (3970 g/10 PCS)

NOTES:

- SEE CURRENT CATALOG FOR VARIOUS APPLICATIONS WITH THIS WIRING SYSTEM.
- PATCH PANEL IS DESIGNED FOR MOUNTING TO 19" STANDARD EIA RACKS.
- PATCH PANELS ACCEPT ALL NETKEY MODULES.
- DIMENSIONS IN [ ] ARE METRIC.
- PART INCLUDES:
  - (1) -24 PORT STAMPING
  - (12) -FURNITURE FACEPLATE (ASSEMBLED TO STAMPING)
  - (1) -SCREW KIT (INCLUDES FOUR #12-24 SCREWS)
  - (1) -SCREW KIT (INCLUDES FOUR M6 SCREWS)



PART NUMBER		NKFP48Y		
TITLE		NETKEY 48 PORT MODULAR FACEPLATE PATCH PANEL		
		CUSTOMER DRAWING		
ITEM REVISION NAME		M02479DL/00		
DATASET FILE NAME		M02479DL_DC92/00B		
UNLESS OTHERWISE SPECIFIED, DIMENSIONAL TOLERANCES ARE: IN [mm]		MATERIAL:		
.x ± .xxx ± .010 [ .3 ]		PANEL: C.R.S. FACEPLATE: ABS		
.xx ± .03 [ .8 ]		DRAWING NUMBER:		
ANGLES ±		02479-092		
THIRD ANGLE PROJECTION		SHT 1 OF 1		
DRAWN BY	DATE	CHK	SCALE	SIZE
JSP	5/20/14	MJD	NONE	A

REV	DATE	BY	CHK	APR	DESCRIPTION	ECN
1		JSP	REFR	JCK	A. REVISED DRAWING TITLE BLOCK.	02479-092
R		JSP	MJD	MJD	RELEASED TO PRODUCTION	02479-092

D101000DA/14