



Chipsmall Limited consists of a professional team with an average of over 10 year of expertise in the distribution of electronic components. Based in Hongkong, we have already established firm and mutual-benefit business relationships with customers from,Europe,America and south Asia,supplying obsolete and hard-to-find components to meet their specific needs.

With the principle of “Quality Parts,Customers Priority,Honest Operation,and Considerate Service”,our business mainly focus on the distribution of electronic components. Line cards we deal with include Microchip,ALPS,ROHM,Xilinx,Pulse,ON,Everlight and Freescale. Main products comprise IC,Modules,Potentiometer,IC Socket,Relay,Connector.Our parts cover such applications as commercial,industrial, and automotives areas.

We are looking forward to setting up business relationship with you and hope to provide you with the best service and solution. Let us make a better world for our industry!



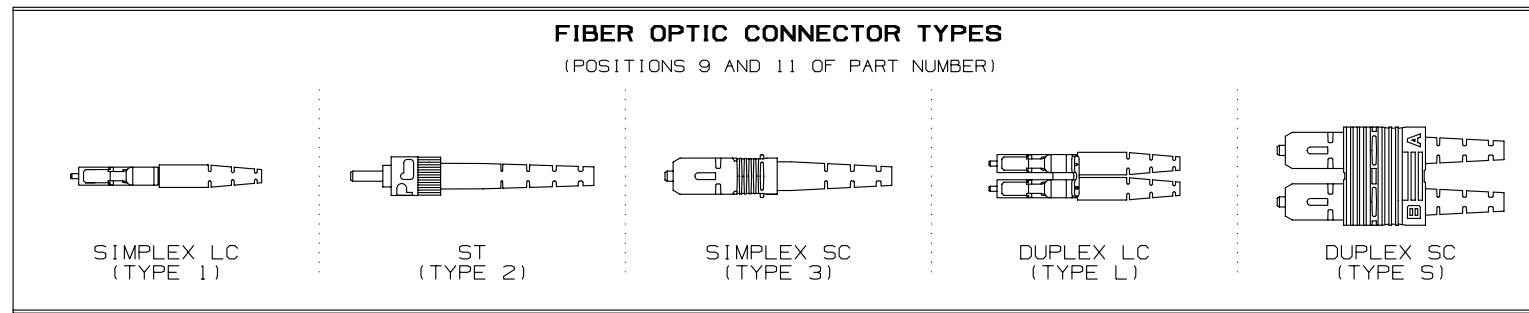
## Contact us

Tel: +86-755-8981 8866 Fax: +86-755-8427 6832

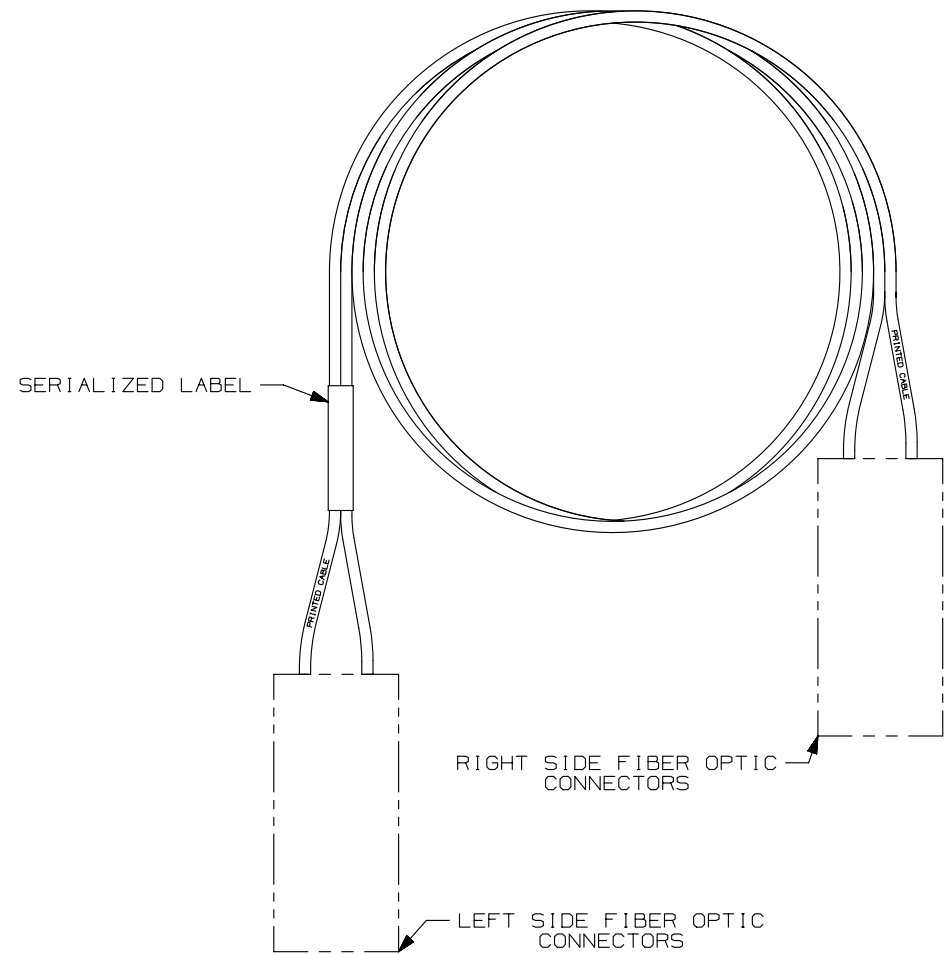
Email & Skype: info@chipsmall.com Web: www.chipsmall.com

Address: A1208, Overseas Decoration Building, #122 Zhenhua RD., Futian, Shenzhen, China

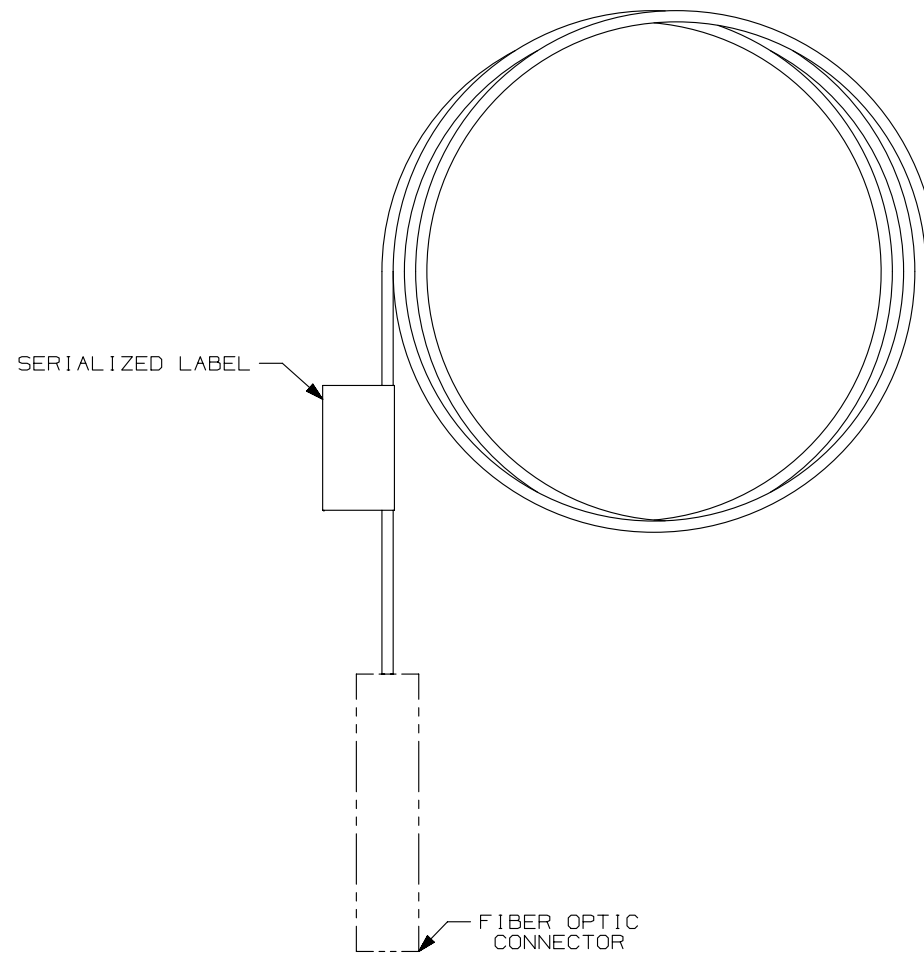




1. CABLE ASSEMBLY (WITH CONNECTORS):
- SEE SHEET 2 FOR PART NUMBER MATRIX.
  - CANNOT BE LESS THAN THE LENGTH SPECIFIED IN THE PART NUMBER.
  - THE MAXIMUM CABLE LENGTH IS NOT TO EXCEED 10cm (4") OVER SPECIFIED LENGTH FOR LESS THAN 10 METER; AND +1%/-0% GREATER THAN 10 METERS.
  - TIP TO TIP LENGTH IS MEASURED WITHOUT DUST CAPS INSTALLED.
  - PATCHCORD ROUTING CONFIGURATION IS "A" TO "B".
  - THIS DRAWING SHALL BE APPLICABLE TO ANY LENGTH PATCHCORD AS DESIGNATED BY THE PART NUMBER, WHERE M=METER.
2. TECHNICAL SPECIFICATIONS:
- OPERATING TEMPERATURE RANGE IS FROM -10°C TO +60°C.
  - CONNECTORS ARE 'FOCIS' COMPLIANT.
  - CABLE ASSEMBLIES COMPLY WITH THE REQUIREMENTS OF T1A/E1A-568-C.3 OR EQUIVALENT IEC STANDARDS.
  - ALL MATERIALS AND COMPONENTS USED MUST MEET THE MATERIAL RESTRICTIONS OF RoHS, (EUROPEAN DIRECTIVE 2011/65/EC ON THE RESTRICTION OF HAZARDOUS SUBSTANCES) AS PROPOSED BY THE RoHS TECHNICAL ADAPTATION COMMITTEE.
3. PACKAGING:
- CABLE ASSEMBLY SHIPPED WITH DUST CAPS INSTALLED.
  - UNIT QUANTITY: 1 PATCHCORD/PIGTAIL PER BAG.



FOR 1.6mm/1.8mm/3.0mm DUPLEX PATCHCORD CABLE ASSEMBLIES



FOR 900µm SIMPLEX PIGTAIL CABLE ASSEMBLIES

CONNECTOR INSERTION/RETURN LOSS SPECIFICATIONS					
CONNECTOR TYPE	MAXIMUM INSERTION LOSS (PER CONNECTOR)		MINIMUM RETURN LOSS (PER CONNECTOR)		
	SM PC	MM PC	SM PC	MM PC	MM PC (OM3)
NETKEY LC	0.30dB	0.30dB	50dB	20dB	26dB
NETKEY SC	0.30dB	0.30dB	50dB	20dB	26dB
NETKEY ST	0.30dB	0.30dB	50dB	20dB	26dB

							TITLE NETKEY PATCHCORDS AND PIGTAILS					
							CUSTOMER DRAWING					
							ITEM REVISION NAME M01302DD/00		<b>PANDUIT</b>			
							DATASET FILE NAME M01302DD_DC/00A					
							UNLESS OTHERWISE SPECIFIED, DIMENSIONAL TOLERANCES ARE: IN [mm]					
							.x ± .03 [ .762 ]    .xxx ± .005 [ .127 ]		PART NUMBER SEE SHEET 2			
							.xx ± .01 [ .25 ]    ANGLES ± 1°		DRAWING NUMBER: M01302DD-DC			
00	06-05-14	SAT	JGD	RWB	RELEASED TO PRODUCTION		M01302DD-DC		THIRD ANGLE PROJECTION			
REV	DATE	BY	CHK	APR	DESCRIPTION	ECN	DRAWN BY SAT	DATE 06-05-14	CHK JGD	SCALE NONE	SHT 1 OF 2	SIZE B



