



Chipsmall Limited consists of a professional team with an average of over 10 year of expertise in the distribution of electronic components. Based in Hongkong, we have already established firm and mutual-benefit business relationships with customers from,Europe,America and south Asia,supplying obsolete and hard-to-find components to meet their specific needs.

With the principle of “Quality Parts,Customers Priority,Honest Operation,and Considerate Service”,our business mainly focus on the distribution of electronic components. Line cards we deal with include Microchip,ALPS,ROHM,Xilinx,Pulse,ON,Everlight and Freescale. Main products comprise IC,Modules,Potentiometer,IC Socket,Relay,Connector.Our parts cover such applications as commercial,industrial, and automotives areas.

We are looking forward to setting up business relationship with you and hope to provide you with the best service and solution. Let us make a better world for our industry!



Contact us

Tel: +86-755-8981 8866 Fax: +86-755-8427 6832

Email & Skype: info@chipsmall.com Web: www.chipsmall.com

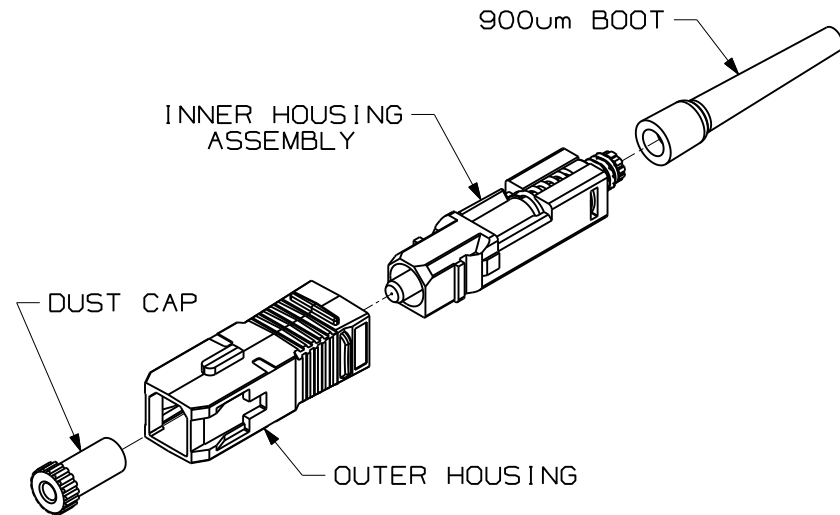
Address: A1208, Overseas Decoration Building, #122 Zhenhua RD., Futian, Shenzhen, China



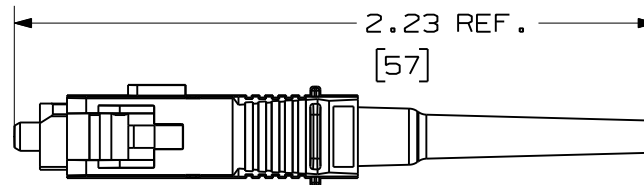
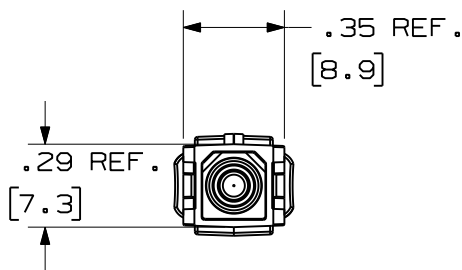
THIS COPY IS PROVIDED ON A RESTRICTED BASIS AND IS NOT TO BE USED IN ANY WAY DETRIMENTAL TO THE INTERESTS OF PANDUIT CORP.

NOTES:

1. SEE CURRENT CATALOG FOR ADDITIONAL COMPONENTS INCLUDING TOOLKITS AND 1.6/2.0mm AND 3mm BOOT UPGRADES.
2. CONNECTORS ACCEPT 50/125 OR 62.5/125 900µm BUFFERED GLASS OPTICAL FIBER.
3. MATERIAL:
 OUTER HOUSING: PLASTIC
 BOOTS: THERMOPLASTIC RUBBER
 FERRULE: POLYMER
 HARDWARE: BRASS
4. FULLY COMPLIES WITH THE FIBER OPTIC CONNECTOR PERFORMANCE REQUIREMENTS AS SPECIFIED BY TIA/EIA-568-B.3.
5. COMPATIBLE WITH TIA-EIA-604-3 (FOCIS-3)
6. ALL MATERIALS AND COMPONENTS USED MUST MEET THE MATERIAL RESTRICTIONS OF RoHS, (EUROPEAN DIRECTIVE 2002/95/EC ON THE RESTRICTION OF HAZARDOUS SUBSTANCES) AS PROPOSED BY THE RoHS TECHNICAL ADAPTATION COMMITTEE.
7. DIMENSIONS IN BRACKETS ARE METRIC [mm]



| PANDUIT PART NUMBER | APPLICATION | PACKAGE QUANTITY |
|---------------------|--------------|-------------------------|
| NKFSCMPC6E1 | 62.5/125 OM1 | 1 PER BAG 10 PER BOX |
| NKFSCMPC5BL | 50/125 OM2 | |
| NKFSCMPC6E1-C | 62.5/125 OM1 | 100 PER BAG |
| NKFSCMPC5BL-C | 50/125 OM2 | |

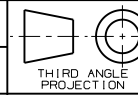


| REV | DATE | BY | CHK | DESCRIPTION | ECN | R | CUST | SUP | OTH |
|-----|----------|-----|-----|------------------------|----------|---|------|-----|-----|
| R | 12-21-09 | EFK | | RELEASED TO PRODUCTION | 01302-68 | | | | |

NETKEY OPTICAM SC CONNECTOR
CUSTOMER DRAWING



PANDUIT™
CORP.
TINLEY PARK, ILL 60477



ALL DIMENSIONS ARE GIVEN IN INCHES UNLESS OTHERWISE SPECIFIED.
 DIMENSIONAL TOLERANCES ARE:
 (.X) ±.03 | (.XXX) ±.010 | (.3) ±.010 | ANGLES

DRAWING FILENAME
M01302AE_DC/00A

SCALE
NONE

DRAWN BY
EFK

MATERIAL

PART NO.
NKFSCMPC***
NKFSCMPC***-C

DATE
12-21-09

CHK'D

DRAWING NO.
01302-68

SIZE
A