



Chipsmall Limited consists of a professional team with an average of over 10 year of expertise in the distribution of electronic components. Based in Hongkong, we have already established firm and mutual-benefit business relationships with customers from,Europe,America and south Asia,supplying obsolete and hard-to-find components to meet their specific needs.

With the principle of “Quality Parts,Customers Priority,Honest Operation,and Considerate Service”,our business mainly focus on the distribution of electronic components. Line cards we deal with include Microchip,ALPS,ROHM,Xilinx,Pulse,ON,Everlight and Freescale. Main products comprise IC,Modules,Potentiometer,IC Socket,Relay,Connector.Our parts cover such applications as commercial,industrial, and automotives areas.

We are looking forward to setting up business relationship with you and hope to provide you with the best service and solution. Let us make a better world for our industry!



## Contact us

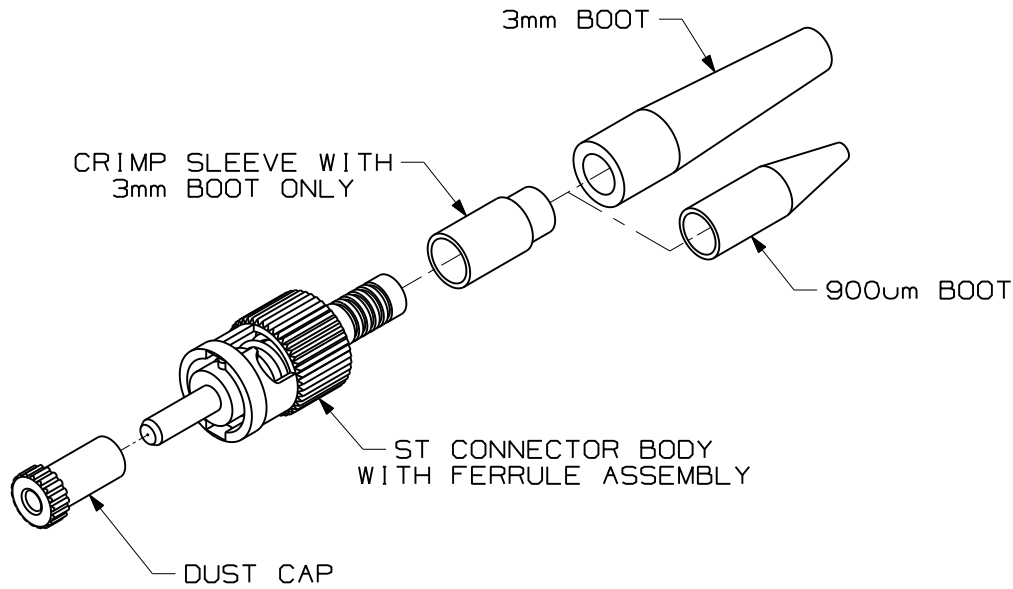
Tel: +86-755-8981 8866 Fax: +86-755-8427 6832

Email & Skype: info@chipsmall.com Web: www.chipsmall.com

Address: A1208, Overseas Decoration Building, #122 Zhenhua RD., Futian, Shenzhen, China



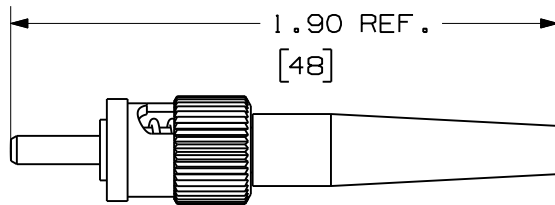
THIS COPY IS PROVIDED ON A RESTRICTED BASIS AND IS NOT TO BE USED IN ANY WAY DETRIMENTAL TO THE INTERESTS OF PANDUIT CORP.



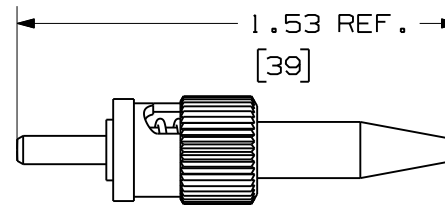
**NOTES:**

1. SEE CURRENT CATALOG FOR PART NUMBER SUFFIXES TO INDICATE COLOR AND/OR PACKAGE QUANTITY.
2. MULTIMODE CONNECTORS ACCEPT 50/125 OR 62.5/125 GLASS OPTICAL FIBER.
3. SINGLEMODE CONNECTORS ACCEPT 9/125 GLASS OPTICAL FIBER.
4. MATERIALS:  
CONNECTOR BODY/HARDWARE: NICKEL-PLATED ZINC  
BOOTS: THERMOPLASTIC RUBBER  
FERRULE: ZIRCONIA CERAMIC
5. COMPLIES WITH THE FIBER OPTIC PERFORMANCE REQUIREMENTS AS SPECIFIED BY TIA/EIA-568-B.3.
6. COMPATIBLE WITH TIA-EIA-604-2 (FOCIS-2).
7. FERRULE DIAMETER: 2.4985/2.4995mm
8. ALL MATERIALS AND COMPONENTS USED MUST MEET THE MATERIAL RESTRICTIONS OF RoHS, (EUROPEAN DIRECTIVE 2002/95/EC ON THE RESTRICTION OF HAZARDOUS SUBSTANCES) AS PROPOSED BY THE RoHS TECHNICAL ADAPTATION COMMITTEE.
9. DIMENSIONS IN BRACKETS ARE METRIC [ mm ]

PANDUIT PART NUMBER	BOOT COLOR	WEIGHT
NKFSTMABL	BLACK	1.00 lb/100 pcs [ 454.5g/100 pcs ]
NKFSTMARD	RED	
NKFSTSABU	BLUE	




**ST CONNECTOR WITH 3mm BOOT**  
(SHOWN WITHOUT DUST CAP)



**ST CONNECTOR WITH 900um BOOT**  
(SHOWN WITHOUT DUST CAP)

REV	DATE	BY	CHK	DESCRIPTION	ECN	R	CUST	SUP	OTH
R	12-21-09	EFK		RELEASED TO PRODUCTION	01302-66				

NETKEY FIBER OPTIC SINGLEMODE/MULTIMODE  
SIMPLEX ST CONNECTOR  
CUSTOMER DRAWING



**PANDUIT**<sup>TM</sup>  
CORP.  
TINLEY PARK, ILL 60477

DRAWING FILENAME  
**M01302AD\_DC/00A**

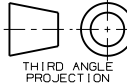
SCALE  
**NONE**

PART NO.  
**NKFSTMA\*\*  
NKFSTSA\*\***

DRAWING NO.  
**01302-66**

SIZE  
**A**

THIRD ANGLE  
PROJECTION



ALL DIMENSIONS ARE GIVEN IN INCHES  
UNLESS OTHERWISE SPECIFIED.

DIMENSIONAL TOLERANCES ARE:  
(.X) ±.03 | (.XXX) ±.010 | (0.3)

DRAWN BY: **EFK**

DATE: **12-21-09**

CHK'D:

MATERIAL: