



Chipsmall Limited consists of a professional team with an average of over 10 year of expertise in the distribution of electronic components. Based in Hongkong, we have already established firm and mutual-benefit business relationships with customers from,Europe,America and south Asia,supplying obsolete and hard-to-find components to meet their specific needs.

With the principle of “Quality Parts,Customers Priority,Honest Operation,and Considerate Service”,our business mainly focus on the distribution of electronic components. Line cards we deal with include Microchip,ALPS,ROHM,Xilinx,Pulse,ON,Everlight and Freescale. Main products comprise IC,Modules,Potentiometer,IC Socket,Relay,Connector.Our parts cover such applications as commercial,industrial, and automotives areas.

We are looking forward to setting up business relationship with you and hope to provide you with the best service and solution. Let us make a better world for our industry!



Contact us

Tel: +86-755-8981 8866 Fax: +86-755-8427 6832

Email & Skype: info@chipsmall.com Web: www.chipsmall.com

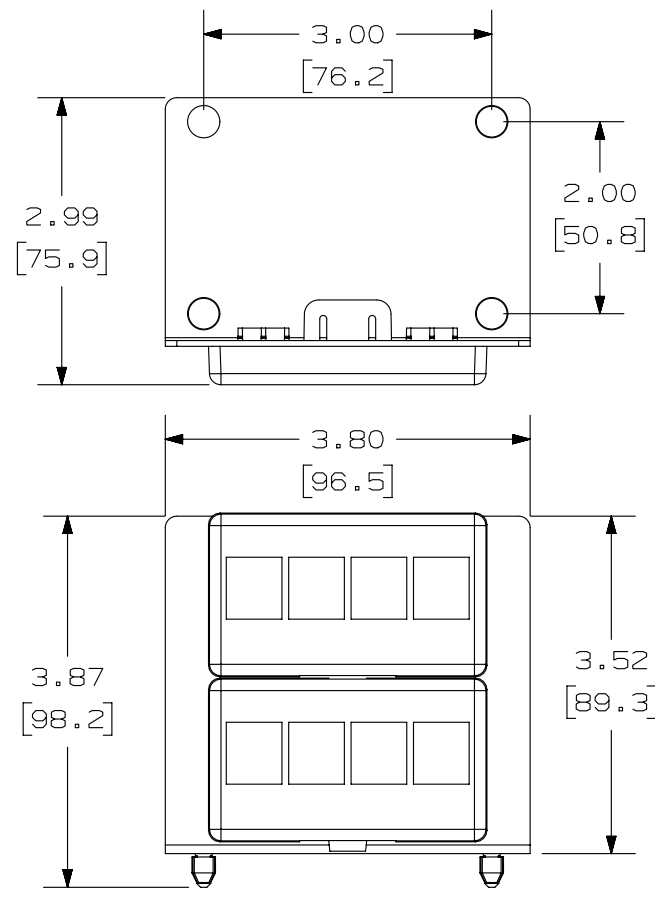
Address: A1208, Overseas Decoration Building, #122 Zhenhua RD., Futian, Shenzhen, China



2

1

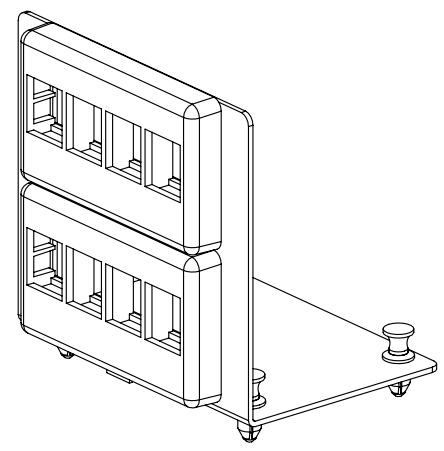
THIS COPY IS PROVIDED ON A RESTRICTED BASIS AND IS NOT TO BE USED IN ANY WAY DETRIMENTAL TO THE INTERESTS OF PANDUIT CORP.



PANDUIT P/N	WEIGHT
NKM8PP	.31 LB/EACH PC (139.5 g/EACH PC)

NOTES:

1. SEE CURRENT CATALOG FOR ADDITIONAL PART NUMBER SUFFIXES TO INDICATE COLOR AND OR PACKAGE QUANTITY.
2. SEE CATALOG FOR COMPLETE LIST OF PARTS APPLICABLE FOR USE WITH THIS PART.
3. DIMENSIONS IN [] ARE IN METRIC.
4. PART INCLUDES:
1- MODULAR PATCH PANEL MODULE



PART NUMBER		NKM8PP				
TITLE						
NETKEY MEDIA DISTRIBUTION MODULAR PATCH PANEL						
CUSTOMER DRAWING						
ITEM REVISION NAME		M02695ZG/00				
DATASET FILE NAME		M02695ZG_DC124/00B				
UNLESS OTHERWISE SPECIFIED, DIMENSIONAL TOLERANCES ARE: IN [mm]				PANDUIT MATERIAL: BRACKET - 16 GAGE C.R.S. FACEPLATE - ABS		
.x ±	.xxx ± .010 [.3]					
.xx ± .03 [.8]	ANGLES ±	THIRD ANGLE PROJECTION		DRAWING NUMBER: 02695-124		
DRAWN BY	DATE	CHK	SCALE	SIZE		
JSP	11-19-07	REFR	NONE	A		
REV		DESCRIPTION		ECN		
1	5-19-14	MDJR	REFR	JCK	A. UPDATED TITLE BLOCK.	02695-124
R	11-19-07	JSP	REFR	REFR	RELEASED TO PRODUCTION	02695-124

A

A

D10100DA/14

2

1