



Chipsmall Limited consists of a professional team with an average of over 10 year of expertise in the distribution of electronic components. Based in Hongkong, we have already established firm and mutual-benefit business relationships with customers from,Europe,America and south Asia,supplying obsolete and hard-to-find components to meet their specific needs.

With the principle of “Quality Parts,Customers Priority,Honest Operation,and Considerate Service”,our business mainly focus on the distribution of electronic components. Line cards we deal with include Microchip,ALPS,ROHM,Xilinx,Pulse,ON,Everlight and Freescale. Main products comprise IC,Modules,Potentiometer,IC Socket,Relay,Connector.Our parts cover such applications as commercial,industrial, and automotives areas.

We are looking forward to setting up business relationship with you and hope to provide you with the best service and solution. Let us make a better world for our industry!



## Contact us

Tel: +86-755-8981 8866 Fax: +86-755-8427 6832

Email & Skype: info@chipsmall.com Web: www.chipsmall.com

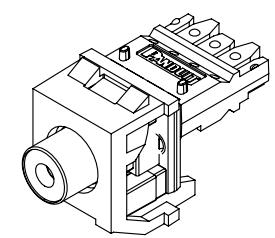
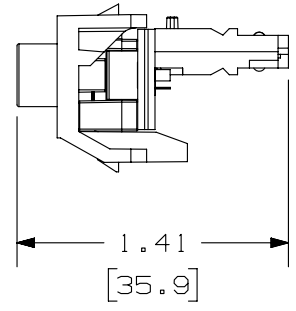
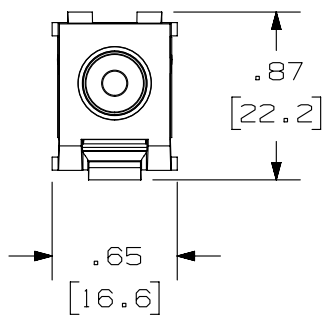
Address: A1208, Overseas Decoration Building, #122 Zhenhua RD., Futian, Shenzhen, China



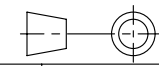
THIS COPY IS PROVIDED ON A RESTRICTED BASIS AND IS NOT TO BE USED IN ANY WAY DETRIMENTAL TO THE INTERESTS OF PANDUIT CORP.

PANDUIT P/N	DESCRIPTION	WEIGHT
NKRPMR**	MODULE WITH RED INSERT	6.51g/PC)
NKRPMY**	MODULE WITH YELLOW INSERT	
NKRPMW**	MODULE WITH WHITE INSERT	

- NOTES:
- SEE CURRENT CATALOG FOR ADDITIONAL PART NUMBER SUFFIXES TO INDICATE COLOR AND OR PACKAGE QUANTITY.
  - SEE CATALOG FOR COMPLETE LIST OF PARTS APPLICABLE FOR USE WITH THIS PART.
  - DIMENSIONS IN PARENTHESES ARE IN METRIC.



PART NUMBER		NKRPM***	
TITLE			
NETKEY RCA PUNCHDOWN MODULE			
CUSTOMER DRAWING			
ITEM REVISION NAME		M02403BC/00	
DATASET FILE NAME		M02403BC_DC09/00B	
UNLESS OTHERWISE SPECIFIED, DIMENSIONAL TOLERANCES ARE: IN [ mm ]		MATERIAL:	
.x ± .xx ± .03 [ .8 ]		ABS	
.xxx ± .010 [ .3 ]		DRAWING NUMBER:	
ANGLES ±		02403-09	
THIRD ANGLE PROJECTION		SHT 1 OF 1	
DRAWN BY	DATE	CHK	SCALE
MDJR	4-18-06	CEF	FULL
REV	DATE	BY	CHK
1	5-20-14	MDJR	REFR
R	4-18-06	MDJR	CEF
APR	DESCRIPTION		ECN
	A. UPDATED TITLE BLOCK.		02403-09
	RELEASED TO PRODUCTION		02403-09



D10100DA/14