



Chipsmall Limited consists of a professional team with an average of over 10 year of expertise in the distribution of electronic components. Based in Hongkong, we have already established firm and mutual-benefit business relationships with customers from,Europe,America and south Asia,supplying obsolete and hard-to-find components to meet their specific needs.

With the principle of "Quality Parts,Customers Priority,Honest Operation,and Considerate Service",our business mainly focus on the distribution of electronic components. Line cards we deal with include Microchip,ALPS,ROHM,Xilinx,Pulse,ON,Everlight and Freescale. Main products comprise IC,Modules,Potentiometer,IC Socket,Relay,Connector.Our parts cover such applications as commercial,industrial, and automotives areas.

We are looking forward to setting up business relationship with you and hope to provide you with the best service and solution. Let us make a better world for our industry!



## Contact us

Tel: +86-755-8981 8866 Fax: +86-755-8427 6832

Email & Skype: info@chipsmall.com Web: www.chipsmall.com

Address: A1208, Overseas Decoration Building, #122 Zhenhua RD., Futian, Shenzhen, China



# Skywire™ 2G 1xRTT Embedded Cellular Modem Datasheet

NimbeLink Corp

Updated: March 2017



© NimbeLink Corp. 2017. All rights reserved.

NimbeLink Corp. provides this documentation in support of its products for the internal use of its current and prospective customers. The publication of this document does not create any other right or license in any party to use any content contained in or referred to in this document and any modification or redistribution of this document is not permitted.

While efforts are made to ensure accuracy, typographical and other errors may exist in this document. NimbeLink reserves the right to modify or discontinue its products and to modify this and any other product documentation at any time.

All NimbeLink products are sold subject to its published Terms and Conditions, subject to any separate terms agreed with its customers. No warranty of any type is extended by publication of this documentation, including, but not limited to, implied warranties of merchantability, fitness for a particular purpose and non-infringement.

XBee is a registered trademark of Digi International, Inc.

NimbeLink is a registered trademark, and Skywire is a trademark, of NimbeLink Corp. All trademarks, service marks and similar designations referenced in this document are the property of their respective owners.



# Table Of Contents

<b>Introduction</b>	<b>4</b>
Orderable Part Numbers	4
Additional Resources	4
Product Overview	4
Block Diagram	5
<b>Technical Specifications</b>	<b>6</b>
Electrical Specifications	6
Absolute Maximum Ratings	6
Recommended Ratings & Module Pin out	6
Connectors J1 and J2	6
Mechanical Specifications	8
Mechanical Characteristics	8
Mating Connectors	8
Device Placement	8
Environmental Specifications	8
<b>Important Design Considerations</b>	<b>9</b>
ON_OFF Signal	9
Power Supply Requirements	9
Network Connection Status LED	9
<b>Mounting Guidelines</b>	<b>10</b>
Board to Board connectors approach	10
Solder to Board connection approach	11
<b>Antenna Considerations</b>	<b>12</b>
Antenna Requirements	12
Recommended Antennas	12
<b>Certifications</b>	<b>12</b>
Carrier Specific	12
Geography Specific	13
<b>Federal Regulatory Licensing</b>	<b>13</b>
<b>End Product Labeling Requirements</b>	<b>13</b>

# 1. Introduction

## 1.1 Orderable Part Numbers

Orderable Device	Operating Temperature	Carrier	Network Type
NL-SW-1xRTT-V	-40 to +85°C	Verizon	CDMA 1xRTT
NL-SW-1xRTT-S	-40 to +85°C	Sprint	CDMA 1xRTT
NL-SW-1xRTT-A	-40 to +85°C	AERIS	CDMA 1xRTT

## 1.2 Additional Resources

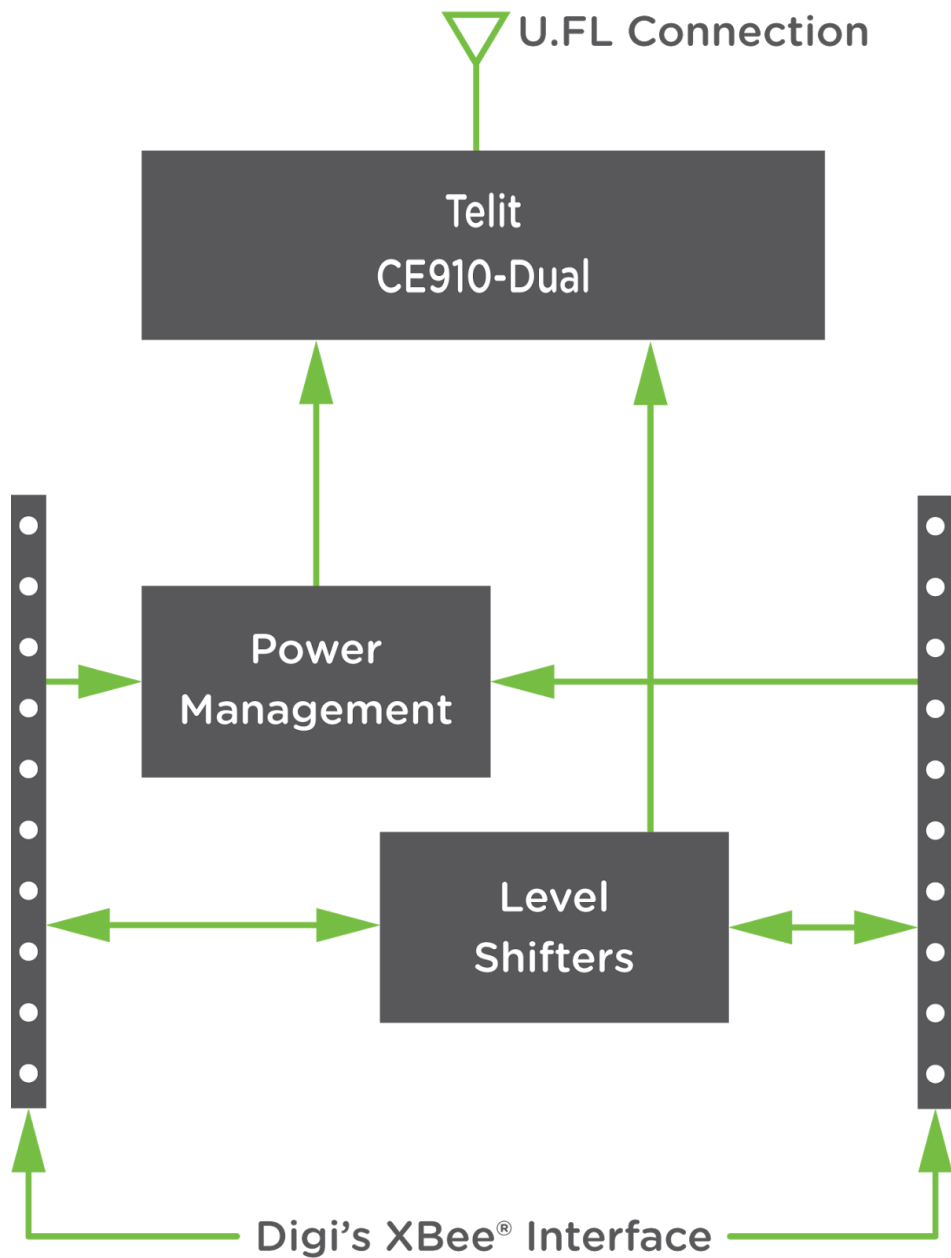
The following documents or documentation resources are referenced within this document.

- [Telit's CE910 Hardware User Guide](#)

## 1.3 Product Overview

Add robust cellular connectivity to your M2M devices without the cost, delay, and hassle of federal and carrier certifications. Extensive experience in designing and building embedded product solutions makes the NimbeLink Skywire™ embedded cellular modem the smallest on the market. It complies with the popular XBEE® interface standard and supports 1xRTT communication, minimizing costs of hardware and network access. The module is designed for volume production and is intended for OEMs to embed into end equipment designs.

## 1.4 Block Diagram



## 2. Technical Specifications

### 2.1 Electrical Specifications

#### 2.1.1 Absolute Maximum Ratings

Parameter	Signal	Maximum Rating
Main Power Supply	VCC	4.3V
I/O Voltage Reference	VREF	5.5V

#### 2.1.2 Recommended Ratings & Module Pin out

##### 2.1.2.1 Connectors J1 and J2

Pin	Name	Direction	Description	Min	Typical	Max	If not used
1	VCC	Input	Main Power supply	3.5V	3.9V	4.3V	Must be implemented
2	DOUT	Output	UART data out, I/O level tied to VREF	VOL: GND to 0.55V		VOH: VREF x 0.67 to VREF	Must be implemented if USB not used, No connection
3	DIN	Input	UART data in, I/O level tied to VREF	VIL: GND to 0.15V		VIH: VREF-0.4 V to VREF	Must be implemented if USB not used, No connection
4	GND	Input	Ground Pin		0		Must be implemented
5	RESET_nIN	Input	Controls HW_SHUTDOWN input on Telit CE910-DUAL, tie low for 800ms to activate. Internally pulled up to VCC with 57k resistor. Drive with open collector output. Assert only in an emergency as the module will not gracefully exit the cellular network when asserted.		VREF		No connection
6	VUSB	Input	Supply for USB interface	4.4V	5V	5V	No connection
7	USB_D+	I/O	USB differential Data + signal				No connection
8	USB_D-	I/O	USB differential Data - signal				No connection
9	DTR	Input	Modem Data Terminal Ready input	VIL: GND to 0.15V		VIH: VREF-0.4 V to VREF	Tie to GND
10	GND	Input	Ground Pin		0		Must be implemented
11	GND	Input	Ground Pin		0		Must be implemented
12	CTS	Output	Modem Clear to Send hardware flow control output	VOL: GND to 0.55V		VOH: VREF x 0.67 to VREF	No connection

13	ON/nSLEEP	Output	Signal drives the onboard LED indicating network status. OFF = Device OFF, Fast blink = Searching for Network & Not Registered, Slow Blink = Registered with full service, Permanently on = call is active. See Telit CE910-DUAL manual for additional information.	0		1.8V	No connection
14	VREF	Input	Voltage reference for offboard I/O signals. This signal drives the input voltage side of an onboard buffer which converts all external I/O voltage from VREF range to 1.8V range to drive the onboard Telit CE910-DUAL modem module.	1.65V	1.8V or 3.3V	5.5V	Must be implemented
15	GND	Input	Ground Pin		0		Must be implemented
16	RTS	Input	Modem Request to Send hardware flow control input	VIL: GND to 0.15V		VIH: VREF-0.4 V to VREF	Tie to GND
17	DIO3	I/O	Programmable GPIO_03 on Telit CE910-DUAL module	0		1.8V	No connection
18	DIO2	I/O	Programmable GPIO_02 on Telit CE910-DUAL module	0		1.8V	No connection
19	ADC1	Input	ADC_IN1 input on Telit CE910-DUAL module (12bit resolution, <1mV, input resistance 1Mohm)	0		1.8V	No connection
20	ON_OFF	Input	Modem On/Off signal. Assert low for at least 1 second and then release to activate start sequence. Drive with open collector output. Internally pulled up to internal I/O rail with 200k pull up. Do not use any external pull ups. <b>Note:</b> If you want modem to turn on automatically when power is applied, permanently tie this signal to GND.	0		1.8V	Must be implemented.

## 2.2 Mechanical Specifications

### 2.2.1 Mechanical Characteristics

Parameter	Typical	Unit
Dimensions (excluding pin height, for solder to board applications)	29.0 x 33.60 x 6.63	mm
Dimensions (including pin height, for board to board connector applications)	29.0 x 33.60 x 10.73	mm
Weight	8.8	Grams
Connector Insertion/Removal	hundreds	Cycles

### 2.2.2 Mating Connectors

Connector Designator	Manufacture	Populated on Module	Recommended Mate	Mate Manufacture
J1, J2	3M	951110-2530-AR-PR	950510-6102-AR	3M
			Acceptable alternate: NPPN101BFCN-RC	Sullins Connector Solutions
X1	Hirose	U.FL-R-SMT(10)	CAB.011	Taoglas

### 2.2.3 Device Placement

⚠ Make sure the Skywire™ is installed in the correct orientation; failure to do so will damage the device and void the warranty.

## 2.3 Environmental Specifications

Parameter	Min	Typical	Max	Unit	Note
Operating Temperature	-40	25	+85	°C	
Storage Temperature	-40	25	+85	°C	
Operating Humidity	20		90	%	Non-condensing



## 3. Important Design Considerations

### 3.1 ON\_OFF Signal

To conserve power, the Telit CE910-DUAL does not automatically start up when power is applied. The baseboard design must supply a means to assert the ON\_OFF signal for the specified time (1 second < hold time < 2 seconds) to start-up the module. To make module automatically start when power is applied, tie ON/OFF signal to GND permanently. See Telit Hardware User Guide for additional details regarding the ON\_OFF signal.

### 3.2 Power Supply Requirements

The module will regularly consume high amounts of current on the Main Power Supply (VCC), up to 750mA during active transmits and receives. The baseboard power supply should be designed to support peak currents up to 1 Amp. A 100uF capacitor should be placed near the VCC pin on the module to ensure ample energy is available, with a low inductance path to the VCC pin. For example power supply designs, there are multiple references available. See the NimbeLink Skywire™ Development Kit schematic for a switching regulator example, or reference the Telit Hardware User Guide which has an example of both Linear and Switching regulator designs.

### 3.3 Network Connection Status LED

The ON/nSLEEP signal on pin 13 drives the on-board LED indicating network status. By default, the 1xRTT module has this setting disabled. Use the following commands to enable and save this feature.

First, configure the GPIO for alternate function:

```
AT#GPIO = 1,0,2
```

The modem should respond with:

```
OK
```

Next, set the desired LED behavior with this command:

```
AT#SLED=2,10,10
```

The modem should respond with:

```
OK
```

Finally, commit the changes to non-volatile memory so the setting will persist across power down/power up:

```
AT#SLEDSAV
```

The modem should respond with:

```
OK
```

LED Status	Network Status Indication
Permanently OFF	Device OFF or setting disabled (see above)
Fast Blinking	Searching for Network & Not Registered
Slow Blinking	Registered with full service
Permanently ON	Call is active

## 4. Mounting Guidelines

The Skywire™ embedded cellular modem supports multiple connection methods, the two primary methods are board to board connectors and soldering directly to the baseboard.

### 4.1 Board to Board connectors approach

The XBEE® form factor calls for two, 10 pin, 2mm pitch female receptacles.

There are many connector manufacturers that can be used; below is one readily available product:

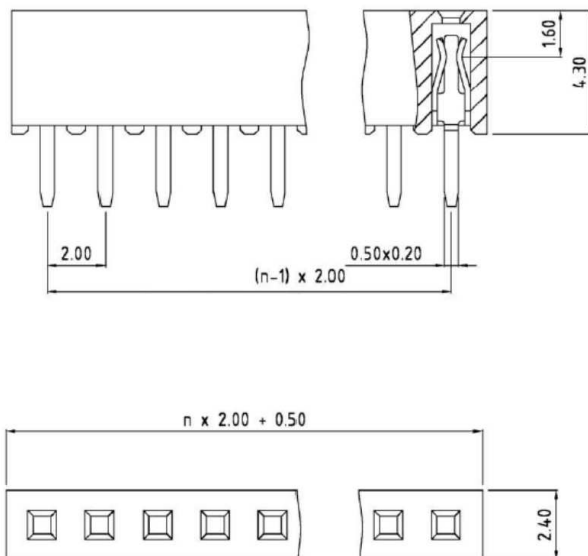
Manufacturer: 3M

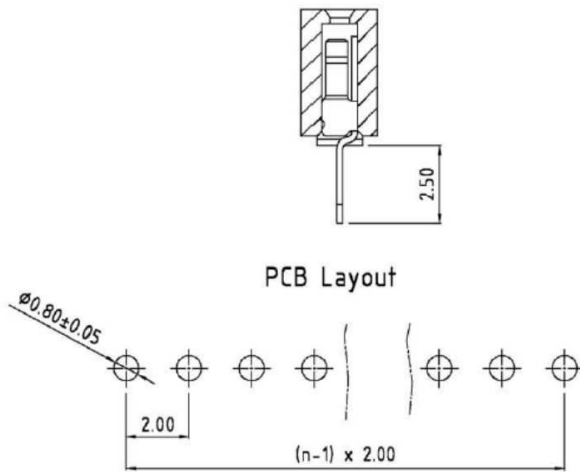
Alternate: Sullins Connector Solutions

Part Number: 950510-6102-AR

Alternate P/N: NPPN101BFCN-RC

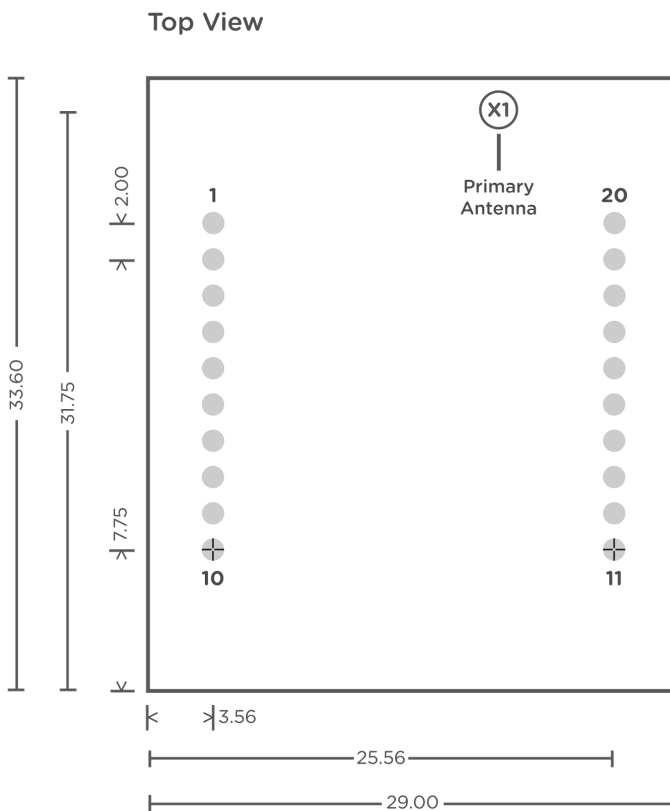
Typical part drawing and footprint information:





## 4.2 Solder to Board connection approach

The module can be soldered directly to a PCB. The PCB should be designed with two rows of ten, 0.8mm plated thru holes spaced 2mm apart. The two rows should be 22mm apart. See drawing for recommended footprint. Measurements are in millimeters.



# 5. Antenna Considerations

## 5.1 Antenna Requirements

Designers should review latest CE910 Hardware User Guide to ensure the information is up to date.

Parameter	Signal
Type	800/1900Mhz Primary
Bandwidth in CDMA BC0	70Mhz
Bandwidth in CDMA BC1	140Mhz
Max Gain in CDMA BC0	5.12dBi
Max Gain in CDMA BC1	6.12dBi
Impedence	50 Ohm
Input Power (Average Power)	>24.5dBm
VSWR recommended	<2:1

## 5.2 Recommended Antennas

Type	Manufacturer	Part Number
Primary	Taoglas <sup>1</sup>	TG.30.8113
Primary	MobileMark	PSKN3-900/1900S

**Note 1:** U.FL to SMA adapter required.

For applications not using the recommended antennas developers will need to ensure that the selected antenna(s) must meet the following gain requirements:

Frequency	Max Gain (dBi)
700 MHz Band	10.41 dBi
1700 MHz Band	6.5 dBi

# 6. Certifications

## 6.1 Carrier Specific

NL-SW-1xRTT-V	Verizon OD Certified
NL-SW-1xRTT-S	Sprint ODI Certified

## 6.2 Geography Specific

Federal Communications Commission (FCC47) part 22, 24

Complies with FCC47 Part 15 Class B Radiated and Conducted Emissions

# 7. Federal Regulatory Licensing

## 7.1 Export Control Classification Number (ECCN)

ECCNs are five character alpha-numeric designations used on the Commerce Control List (CCL) to identify dual-use items for export control purposes. An ECCN categorizes items based on the nature of the product, i.e. type of commodity, software, or technology and its respective technical parameters.

NL-SW-1xRTT (and all Skywire Modems): 5A992.c

## 7.2 Harmonized Tariff Schedule Code

HTS Code: 8517.62.0010

# 8. End Product Labeling Requirements

Device Uses Approved Radio: NL-SW-1xRTT

Contains FCC ID: RI7CE910-DUAL and IC ID: 5131A-CE910DUAL

This device complies with Part 15 of the FCC Rules. Operation is subject to the following two conditions: (1) This device may not cause harmful interferences, and (2) this device must accept any interference received, including interference that may cause undesired operation.