



Chipsmall Limited consists of a professional team with an average of over 10 year of expertise in the distribution of electronic components. Based in Hongkong, we have already established firm and mutual-benefit business relationships with customers from,Europe,America and south Asia,supplying obsolete and hard-to-find components to meet their specific needs.

With the principle of “Quality Parts,Customers Priority,Honest Operation,and Considerate Service”,our business mainly focus on the distribution of electronic components. Line cards we deal with include Microchip,ALPS,ROHM,Xilinx,Pulse,ON,Everlight and Freescale. Main products comprise IC,Modules,Potentiometer,IC Socket,Relay,Connector.Our parts cover such applications as commercial,industrial, and automotives areas.

We are looking forward to setting up business relationship with you and hope to provide you with the best service and solution. Let us make a better world for our industry!



Contact us

Tel: +86-755-8981 8866 Fax: +86-755-8427 6832

Email & Skype: info@chipsmall.com Web: www.chipsmall.com

Address: A1208, Overseas Decoration Building, #122 Zhenhua RD., Futian, Shenzhen, China



Skywire[®] LTE CAT 1 S7648 Embedded Cellular Modem Datasheet

NimbeLink Corp

Updated: June 2018



© NimbeLink Corp. 2018. All rights reserved.

NimbeLink Corp. provides this documentation in support of its products for the internal use of its current and prospective customers. The publication of this document does not create any other right or license in any party to use any content contained in or referred to in this document and any modification or redistribution of this document is not permitted.

While efforts are made to ensure accuracy, typographical and other errors may exist in this document. NimbeLink reserves the right to modify or discontinue its products and to modify this and any other product documentation at any time.

All NimbeLink products are sold subject to its published Terms and Conditions, subject to any separate terms agreed with its customers. No warranty of any type is extended by publication of this documentation, including, but not limited to, implied warranties of merchantability, fitness for a particular purpose and non-infringement.

NimbeLink is a registered trademark, and Skywire is a registered trademark, of NimbeLink Corp. All trademarks, service marks and similar designations referenced in this document are the property of their respective owners.

Table of Contents

Table of Contents	2
Introduction	4
Orderable Part Numbers	4
Additional Resources	4
Product Overview	4
Block Diagram	5
Technical Specifications	6
Electrical Specifications	6
Absolute Maximum Ratings	6
Recommended Ratings & Module Pin out	6
Connectors J1 and J2	6
Connectors J3, X1, X2	7
Typical Power Consumption (Coming Soon)	8
Mechanical Specifications	8
Mechanical Characteristics	8
Mating Connectors	8
Device Placement	8
Environmental Specifications	9
Important Design Considerations	10
PWR_ON Signal	10
Power Supply Requirements	10
Serial Communications	10
Mounting Guidelines	12
Board-to-Board Connector Approach	12
Solder-to-Board Connection Approach	14
Antenna Considerations	15
Primary Antenna Requirement	15
Diversity Antenna Requirements	16
Recommended Antennas	16
Certifications	17
Carrier Specific	17
Geography Specific	17
Federal Regulatory Licensing	17

1. Introduction

1.1 Orderable Part Numbers

Orderable Device	Firmware Revision	Operating Temperature	Bands	Network Type
NL-SW-LTE-S7648	V04.02.A14	-40 to +85°C	B2, B4, B12	AT&T and T-Mobile

1.2 Additional Resources

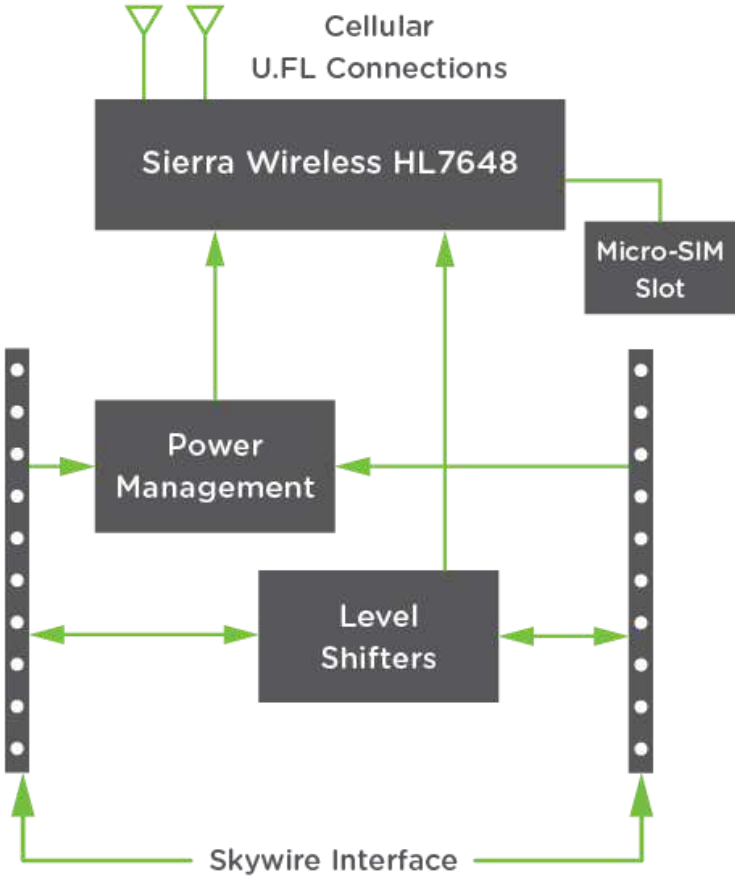
The following documents or documentation resources are referenced within this document.

- [Sending SMS](#)
- [Configuring linux 'pppd'](#)
- [Sending and Receiving Data Using Socket Dials](#)
- [Sierra's HL7648 Product Technical Resources](#)
- [Sierra's HL76xx AT Command Manual](#)
- [Sierra's HL7648 Verizon Firmware Update](#)

1.3 Product Overview

Add robust cellular connectivity to your M2M devices with scalable radio technology with the Skywire line of modems including HL7648 based LTE solutions. Extensive experience in designing and building embedded product solutions makes the NimbeLink Skywire® embedded cellular modem the smallest on the market. It uses the popular Skywire interface and supports multiple LTE bands and fallback capability minimizing costs of hardware and network access. The module is designed for volume production and is intended for OEMs to embed into end equipment designs.

1.4 Block Diagram



2. Technical Specifications

2.1 Electrical Specifications

2.1.1 Absolute Maximum Ratings

Parameter	Signal	Maximum Rating
Main Power Supply	VCC	5.5V
I/O Voltage Reference	VREF	5.5V

2.1.2 Recommended Ratings & Module Pin out

2.1.2.1 Connectors J1 and J2

Pin	Name	Direction	Description	Min	Typical	Max	If not used
1	VCC	Input	Main Power supply	3.0V	3.9V	5.5V	Must be implemented
2	DOUT	Output	UART data out, I/O level tied to VREF	VOL: GND to 0.55V		VOH: VREF x 0.67 to VREF	Must be implemented if USB not used, No connection
3	DIN	Input	UART data in, I/O level tied to VREF	VIL: GND to 0.15V		VIH: VREF-0.4V to VREF	Must be implemented if USB not used, No connection
4	GND	Input	Ground Pin		0		Must be implemented
5	RESET_nIN	Input	Controls RESET input on Sierra HL7648, tie low for a minimum of 20mS and released to activate. Internally pulled up to 1.8V. Drive with open collector output. Assert only in an emergency as the module will not gracefully exit the cellular network when asserted.	0V		1.8V	No connection
6	VUSB	Input	Supply for USB interface	3.2V	5V	5V	No connection
7	USB_D+	I/O	USB differential Data + signal				No connection
8	USB_D-	I/O	USB differential Data - signal				No connection
9	DTR	Input	Modem Data Terminal Ready input	VIL: GND to 0.15V		VIH: VREF-0.4V to VREF	Tie to GND
10	GND	Input	Ground Pin		0		Must be implemented
11	GND	Input	Ground Pin		0		Must be implemented
12	CTS	Output	Modem Clear to Send hardware flow control output	VOL: GND to 0.55V		VOH: VREF x 0.67 to VREF	No connection

13	VGPIO	Output	Signal drives high indicating the modem is on and ready for commands. (It can be idle, or in sleep mode)May also be used to power external level shifters to interface to DIO5 or DIO7. See HL7648 manual for additional information.	0		1.8V	No connection
14	VREF	Input	Voltage reference for off board I/O signals. This signal drives the input voltage side of an onboard buffer which converts all external I/O voltage from VREF range to 1.8V range to drive the onboard HL7648 modem module.	1.65V	1.8V or 3.3V	5.5V	Must be implemented
15	GND	Input	Ground Pin		0		Must be implemented
16	RTS	Input	Modem Request to Send hardware flow control input	VIL: GND to 0.15V		VIH: VREF-0.4V to VREF	Tie to GND
17	DIO5	I/O	Programmable GPIO_05 on HL7648 module	0		1.8V	No connection
18	DIO7	I/O	Programmable GPIO_07 on HL7648 module	0		1.8V	No connection
19	ADC1	Input	ADC1 input on HL7648 module (10-bit resolution)	0		1.2V	No connection
20	PWR_ON	Input	Modem PWR_ON signal. Assert low for at least 25 msec and then release to activate start sequence. Drive with open collector output. Internally pulled up to internal I/O rail with resistor. Do not use any external pull ups. Note: If you want modem to turn on automatically when power is applied, permanently tie this signal to GND. Must execute AT+CPOF to power down the modem.	0		1.8V	Must be implemented.

2.1.2.2 Connectors J3, X1, X2

Connector Designator	Description	Connector Location
J3	Micro SIM Connector	Bottom Side of Module
X1	Primary Antenna Connection	Topside of Module
X2	Diversity Antenna Connection	Topside of Module

2.1.2.3 Typical Power Consumption (Coming Soon)

Measurement	Attenuation (dB)	AT+CSQ	Min Current (mA)	Average Current (mA)	Peak Current (mA)	Average Charge (μAh)	Notes
TBD							

2.2 Mechanical Specifications

2.2.1 Mechanical Characteristics

Parameter	Typical	Unit
Dimensions (excluding pin height, for solder to board applications)	29.0 x 33.60 x 6.63	mm
Dimensions (including pin height, for board to board connector applications)	29.0 x 33.60 x 10.73	mm
Weight	0.4	oz
Connector Insertion/Removal	hundreds	Cycles

2.2.2 Mating Connectors

Connector Designator	Manufacture	Populated on Module	Recommended Mate	Mate Manufacture
J1, J2	3M	Pinrex 222-96-10GBE1	NPPN101BFCN-RC	Sullins Connector Solutions
			Acceptable Alternative: 950510-6102-AR	3M
J3	Molex	786463001	NL-SIM-COM	Nimbelink
X1, X2	Hirose	U.FL-R-SMT(10)	CAB.011	Taoglas

2.2.3 Device Placement

⚠ Make sure the Skywire is installed in the correct orientation; failure to do so will damage the device and void the warranty.

2.3 Environmental Specifications

Parameter	Min	Typical	Max	Unit	Notes
Operating Temperature	-40	25	+85	°C	
Storage Temperature	-40	25	+85	°C	
Operating Humidity	20		90	%	Non-condensing

3. Important Design Considerations

3.1 PWR_ON Signal

To conserve power, the HL7648 does not automatically startup when power is applied. The baseboard design must supply a means to assert the PWR_ON signal for the specified time (at least 25 msec) and then released to startup the module. After asserting the PWR_ON signal, software must wait for VGPI0 to assert before attempting to communicate with the HL7648. To make the module start automatically when power is applied, tie PWR_ON signal to GND permanently. See the Sierra Hardware User Guide for additional details regarding the PWR_ON signal:

https://source.sierrawireless.com/resources/airprime/hardware_specs_user_guides/airprime_hl7618rd_product_technical_specification/

3.2 Power Supply Requirements

The module will regularly consume high amounts of current on the main power supply (VCC) - up to 1.5A during active transmits and receives. The baseboard power supply should be designed to support peak currents up to 2 Amps. A 100 μ F capacitor should be placed near the VCC pin on the module to ensure ample energy is available, with a low inductance path to the VCC pin. For example power supply designs, there are multiple references available. See the NimbeLink Skywire Development Kit schematic for a switching regulator example:

https://nimbelink.com/Documentation/Development_Kits/NL-SWSDK/20002_NL-SWSDK_Schematic.pdf

3.3 Serial Communications

The HL7648 can communicate over UART and/or USB. An ideal design must implement one or both serial interfaces in order to interface with the modem.

3.4 LED

The Skywire has an on-board LED, D1, connected to the HL7648 on GPIO10. The state of the LED can be asserted by issuing the following AT command:

AT+KGPIO=10,1 //Turn on LED

AT+KGPIO=10,0 //Turn off LED

3.5 FOTA

LTE networks are constantly being updated, improved, and enhanced with new features. Therefore, carriers tend to make frequent network changes. Most of these changes will not negatively affect network connected devices, but occasionally an update will prevent an unprepared device from re-connecting to the network permanently.

To account for these future changes, FOTA (Firmware over the Air) capability is being added to all cellular modules by manufacturers. Accordingly, NimbeLink supports this functionality in the entire Skywire family of embedded modems. However, it is often required that designers implement support for FOTA in their device's firmware.

Any Skywire developer must ensure that their device firmware can accommodate FOTA updates after deployment. Failure to do so may result in network connectivity interruptions in the event of a network change.

Should a device be rendered unable to connect to the cellular network after an update, it is impossible to resolve the issue using FOTA. In this case, the only way to fix the connectivity issue would be to physically update the device over a serial connection.

FOTA Instructions are available by contacting NimbeLink's product support team at product.support@nimbelink.com.

4. Mounting Guidelines

Skywire embedded cellular modems support two connection methods: board-to-board connectors and the solder-to-board method.

4.1 Board-to-Board Connector Approach

The Skywire interface utilizes two, 10 pin, 2mm pitch female receptacles. Many connector manufacturers can be used; below are two readily available products:

Manufacturer: Sullins Connector Solution

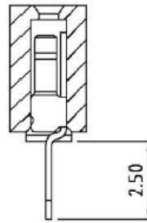
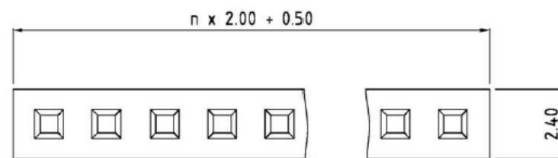
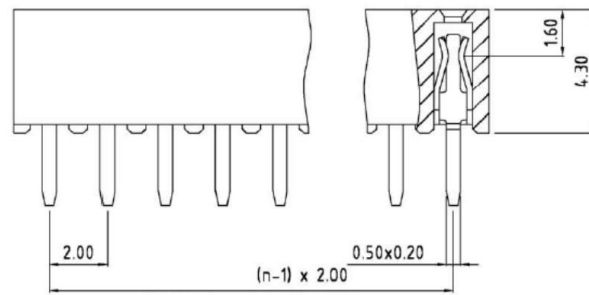
Part Number: NPPN101BFCN-RC

Manufacturer: 3M

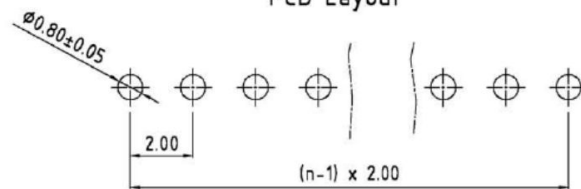
Part Number: 950510-6102-AR

Please refer to next page for diagrams of typical board-to-board connectors.

Below are two figures of typical part drawings and PCB footprints:



PCB Layout



5. Antenna Considerations

Designers should review the latest HL7648 Hardware User Guide to ensure the following information is up to date:

https://source.sierrawireless.com/resources/airprime/hardware_specs_user_guides/airprime_hl7618rd_product_technical_specification/

5.1 Primary Antenna Requirement

PRIMARY ANTENNA REQUIREMENTS	
Frequency Range	Depending on the frequency bands provided by the network operator, the customer shall use the most suitable antenna for those bands
Bandwidth	LTE B2: Transmit: 1850 to 1910 MHz Receive: 1930 to 1990 MHz LTE B4: Transmit: 1710 to 1755 MHz Receive: 2110 to 2155 MHz LTE B12: Transmit: 699 to 716 MHz Receive: 729 to 746 MHz
Impedance	50 ohm
Input Power	>24dB
VSWR Max	1.5:1

5.2 Diversity Antenna Requirements

RX DIVERSITY ANTENNA REQUIREMENTS	
Frequency Range	Depending on the frequency bands provided by the network operator, the customer shall use the most suitable antenna for those bands
Bandwidth	<p style="text-align: center;">LTE B2: Transmit: 1850 to 1910 MHz Receive: 1930 to 1990 MHz</p> <p style="text-align: center;">LTE B4: Transmit: 1710 to 1755 MHz Receive: 2110 to 2155 MHz</p> <p style="text-align: center;">LTE B12: Transmit: 699 to 716 MHz Receive: 729 to 746 MHz</p>
Impedance	50 ohm
VSWR Max	1.5:1

5.3 Recommended Antennas

Type	Manufacturer	Part Number
Primary & Diversity	Taoglas ¹	TG.30.8113

Note 1: U.FL to SMA adapter required.

For applications not using the recommended antennas, developers must ensure that the selected antenna(s) meet certain requirements. In order to maintain FCC and carrier specific certifications the antennas cannot exceed the maximum gain levels listed here:

Frequency Band	Max Gain (dBi)
LTE Band 2	8.01
LTE Band 4	5.00
LTE Band 12	8.70

6. Certifications

6.1 Carrier Specific

NL-SW-LTE-S7648 PTCRB, AT&T Certified

6.2 Geography Specific

Federal Communications Commission (FCC47) part 22, 24

Complies with FCC47 Part 15 Class B Radiated and Conducted Emissions

7. Federal Regulatory Licensing

7.1 Export Control Classification Number (ECCN)

ECCNs are five character alpha-numeric designations used on the Commerce Control List (CCL) to identify dual-use items for export control purposes. An ECCN categorizes items based on the nature of the product, i.e. type of commodity, software, or technology and its respective technical parameters.

All Skywire Modems: 5A992.c

7.2 Harmonized Tariff Schedule Code

HTS Code: 8517.62.0010

8. End Product Labeling Requirements

Device Uses Approved Radio: NL-SW-LTE-S7648

Contains FCC ID: N7NHL7648 and IC ID: 2417C-HL7648

This device complies with Part 15 of the FCC Rules. Operation is subject to the following two conditions: (1) This device may not cause harmful interferences, and (2) this device must accept any interference received, including interference that may cause undesired operation.