



Chipsmall Limited consists of a professional team with an average of over 10 year of expertise in the distribution of electronic components. Based in Hongkong, we have already established firm and mutual-benefit business relationships with customers from,Europe,America and south Asia,supplying obsolete and hard-to-find components to meet their specific needs.

With the principle of “Quality Parts,Customers Priority,Honest Operation,and Considerate Service”,our business mainly focus on the distribution of electronic components. Line cards we deal with include Microchip,ALPS,ROHM,Xilinx,Pulse,ON,Everlight and Freescale. Main products comprise IC,Modules,Potentiometer,IC Socket,Relay,Connector.Our parts cover such applications as commercial,industrial, and automotives areas.

We are looking forward to setting up business relationship with you and hope to provide you with the best service and solution. Let us make a better world for our industry!



## Contact us

Tel: +86-755-8981 8866 Fax: +86-755-8427 6832

Email & Skype: info@chipsmall.com Web: www.chipsmall.com

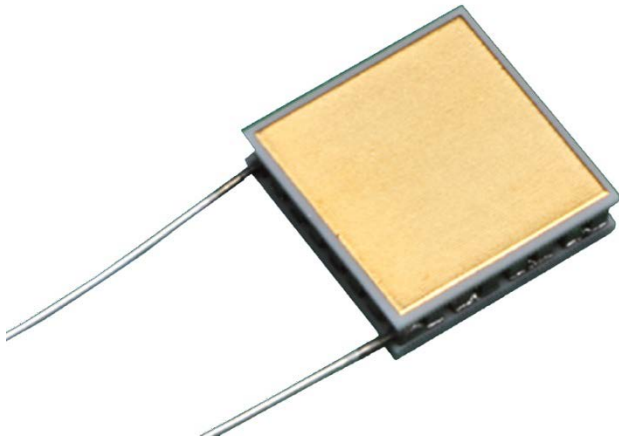
Address: A1208, Overseas Decoration Building, #122 Zhenhua RD., Futian, Shenzhen, China





# Technical Data Sheet for NL1020T

## Single-Stage Thermoelectric Module



### NOMINAL PERFORMANCE IN NITROGEN

Hot Side Temperature (°C)	27	50
$\Delta T_{max}$ (°C):	64	72
Q <sub>max</sub> (watts):	0.9	1.0
I <sub>max</sub> (amps):	1.8	1.8
V <sub>max</sub> (vdc):	0.8	0.9
AC Resistance (ohms):	0.40	--

### PRODUCT FEATURES

- RoHS EU Compliant
- REACH EU Compliant
- Ceramic Material: Aluminum Oxide
- -01AC, -02AC: External Metallization is Au flash, suitable for soldering.
- RTV sealing option available.
- Maximum process temperature is 120°C.

### ORDERING OPTIONS

Model Number	Description
NL1020T-01AC	Both surfaces are metallized
NL1020T-02AC	Hot side exterior is metallized
NL1020T-03AC	No metallization
NL1020T-04AC	No metallization, Insulated Leads, Perimeter Sealed
NL1020T-05AC	No metallization, Insulated Leads

### OPERATION CAUTIONS

For maximum reliability, storage and operation below 100°C in a non-condensing environment is recommended. To minimize thermal stress, use linear/proportional temperature control or a similar method rather than an ON/OFF method.

### INSTALLATION

Recommended mounting methods: Bonding with thermal epoxy or soldering with metallized ceramics. For additional information, please refer to our TEC Installation Guide.

II-VI Marlow – Dallas, TX USA  
214-340-4900  
877-627-5691  
marlow.sales@ii-vi.com

Marlow Industries Europe  
GmbH - Germany  
+49 (0) 6150 5439 - 403  
info@marlow-europe.eu

II-VI Japan Inc.  
81 43 297 2693 (tel)  
center@ii-vi.co.jp  
www.ii-vi.co.jp

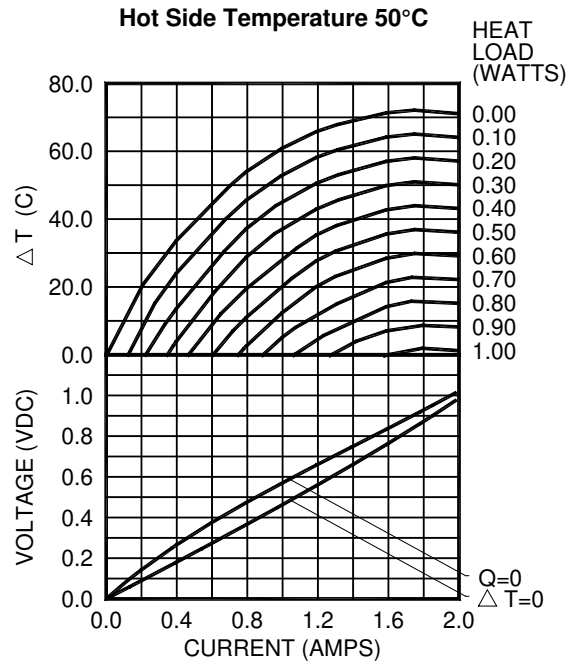
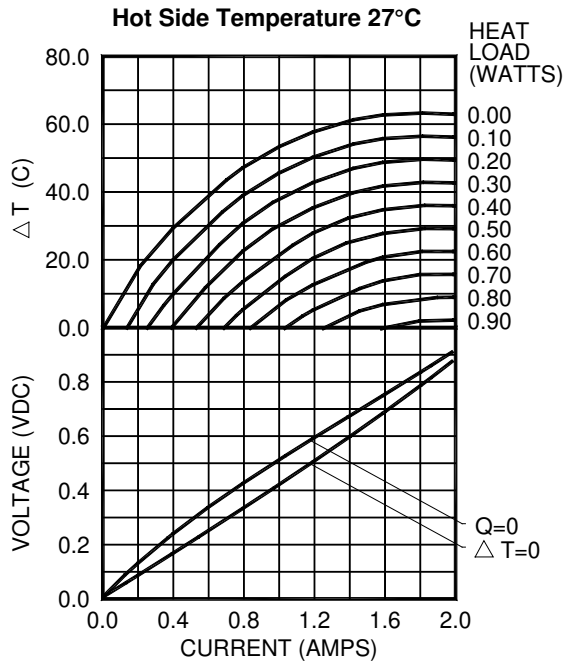
II-VI Singapore Pte., Ltd.  
(65) 6481 8215 (tel)  
info@ii-vi.com.sg

Marlow Industries China, II-VI  
Technologies Beijing  
86-10-643 98226  
info@iivbj.com

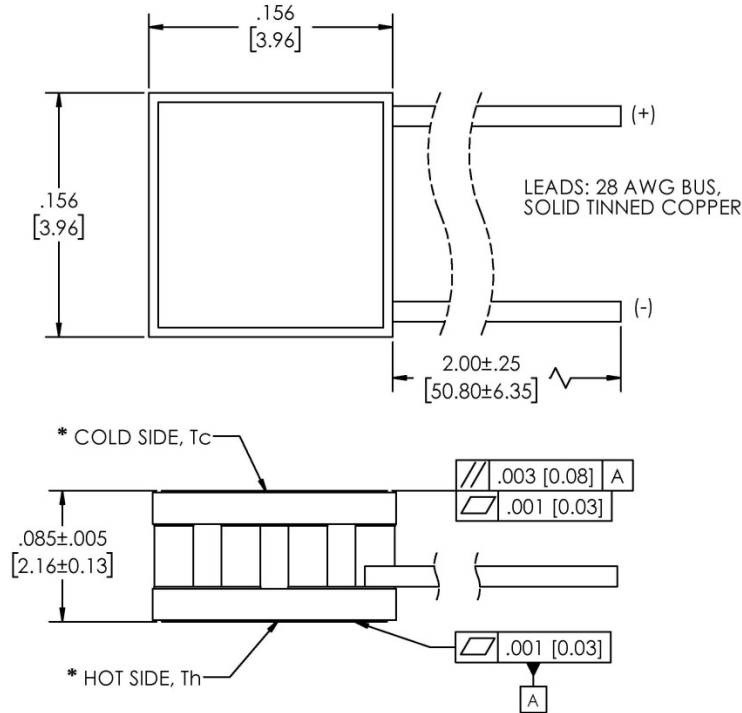


**TYPICAL PERFORMANCE CURVES**

**ENVIRONMENT: ONE ATMOSPHERE DRY NITROGEN**



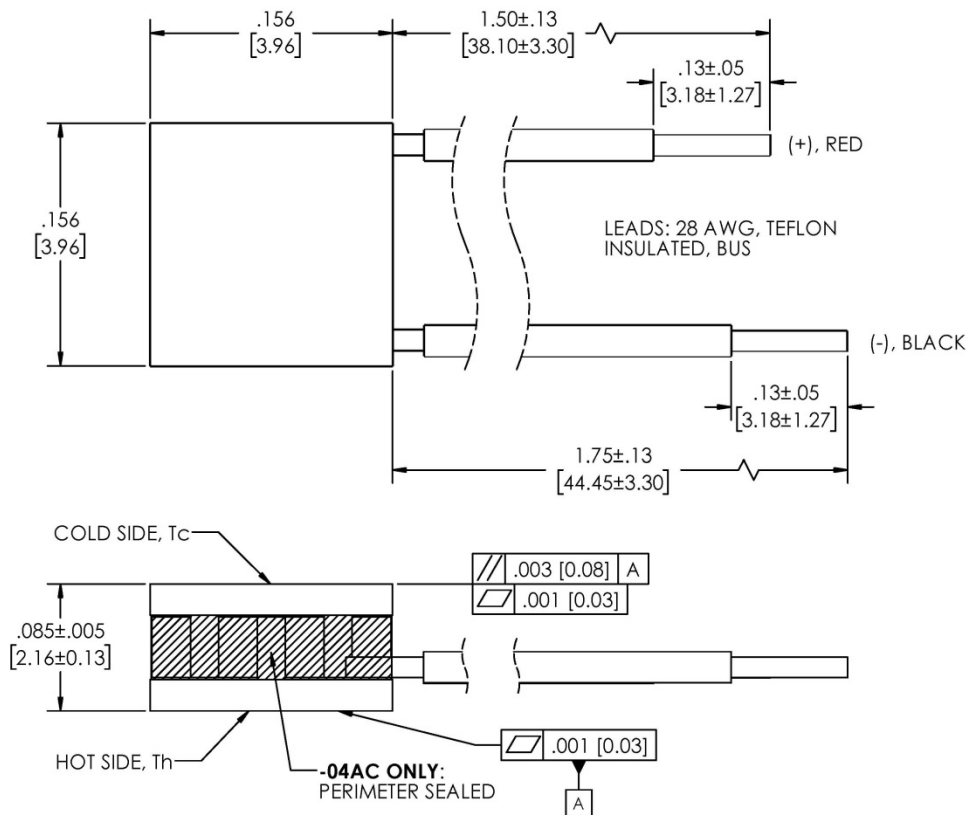
For performance information in a vacuum or with hot side temperatures other than 27°C or 50°C, contact one of our Applications Engineers at 877-627-5691.



Dimensions are in inches, millimeters are in [ ].

\* -01AC, -02AC Only: External Metallization per page 1.

**-01AC, -02AC, -03AC**



Dimensions are in inches, and millimeters are in [ ].

**-04AC, -05AC**

For customer support or general questions please contact a local office or visit our website at [www.marlow.com](http://www.marlow.com).