



Chipsmall Limited consists of a professional team with an average of over 10 year of expertise in the distribution of electronic components. Based in Hongkong, we have already established firm and mutual-benefit business relationships with customers from,Europe,America and south Asia,supplying obsolete and hard-to-find components to meet their specific needs.

With the principle of “Quality Parts,Customers Priority,Honest Operation,and Considerate Service”,our business mainly focus on the distribution of electronic components. Line cards we deal with include Microchip,ALPS,ROHM,Xilinx,Pulse,ON,Everlight and Freescale. Main products comprise IC,Modules,Potentiometer,IC Socket,Relay,Connector.Our parts cover such applications as commercial,industrial, and automotives areas.

We are looking forward to setting up business relationship with you and hope to provide you with the best service and solution. Let us make a better world for our industry!



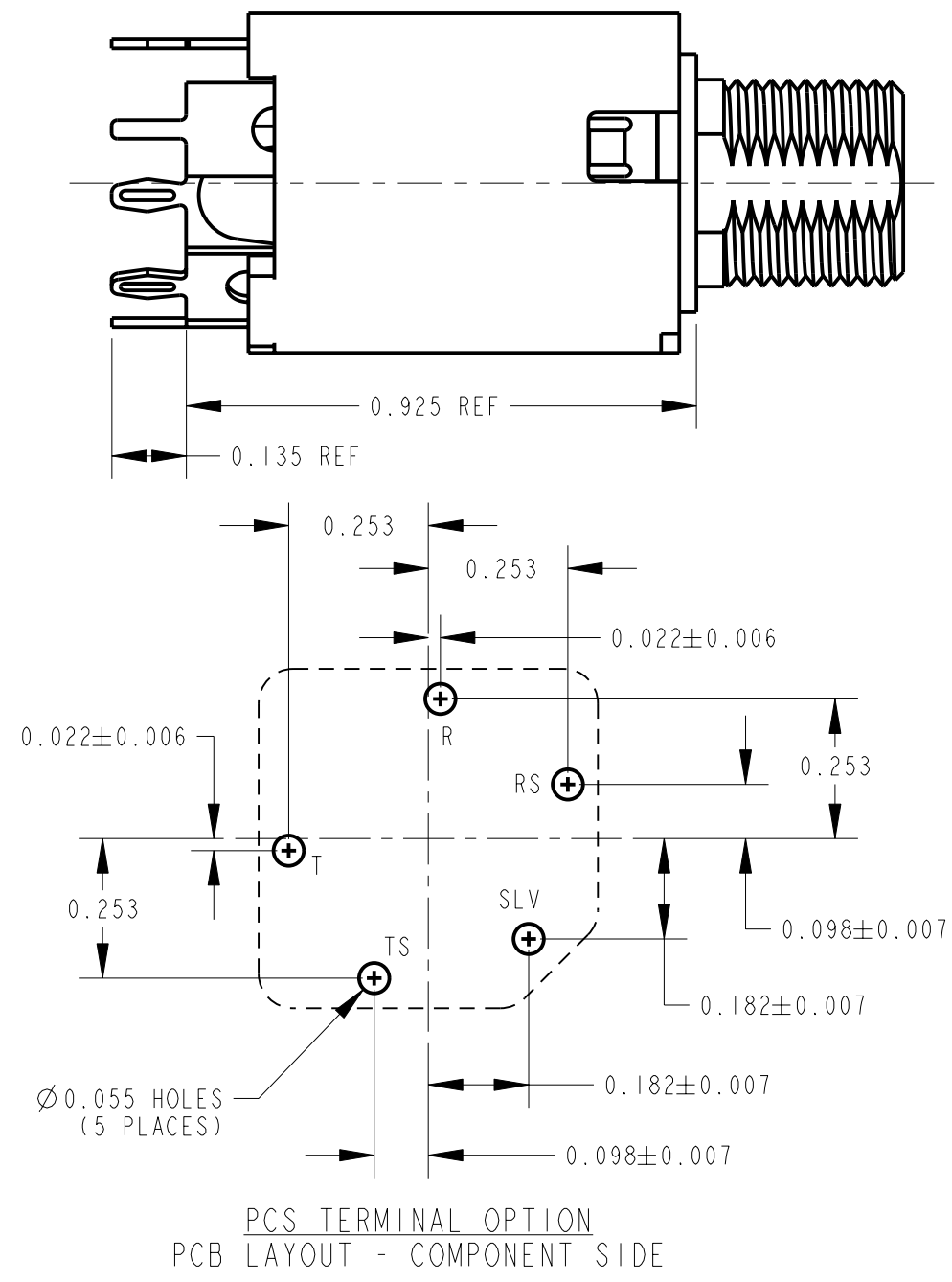
Contact us

Tel: +86-755-8981 8866 Fax: +86-755-8427 6832

Email & Skype: info@chipsmall.com Web: www.chipsmall.com

Address: A1208, Overseas Decoration Building, #122 Zhenhua RD., Futian, Shenzhen, China





PCS TERMINAL OPTION
PCB LAYOUT - COMPONENT SIDE

TERMINAL FINISH OPTIONS:

NL - "N" INSULATING, MOLDED NYLON BUSHING
"L" 0.375 LONG BUSHING

MNL - "M" GOLD PLATED SPRINGS WITH GOLD CONTACTS ON RING SPRINGS AND SHUNT SPRINGS (WHEN SHUNTS ARE USED)

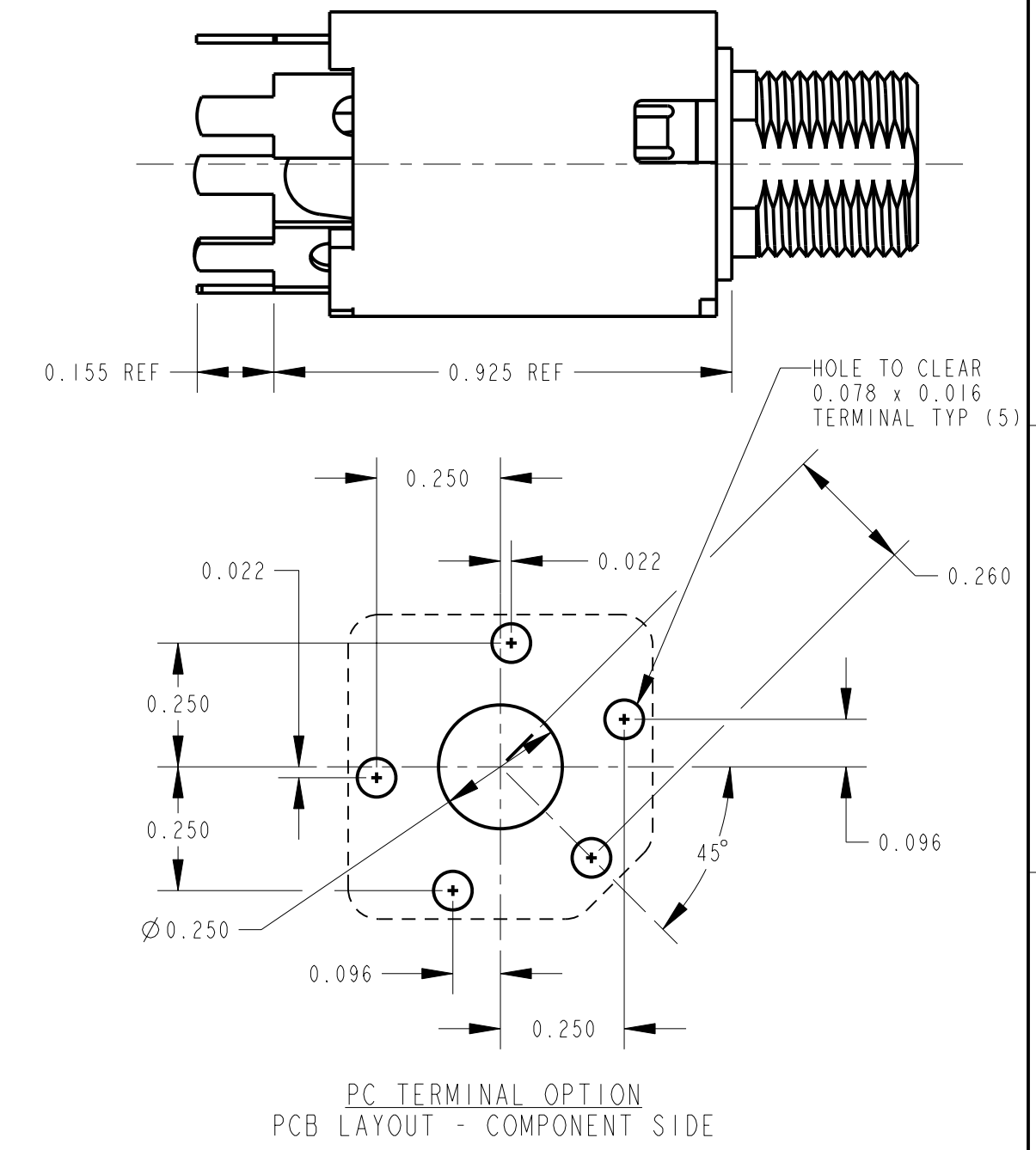
"N" INSULATING, MOLDED NYLON BUSHING
"L" 0.375 LONG BUSHING

TERMINAL OPTIONS:

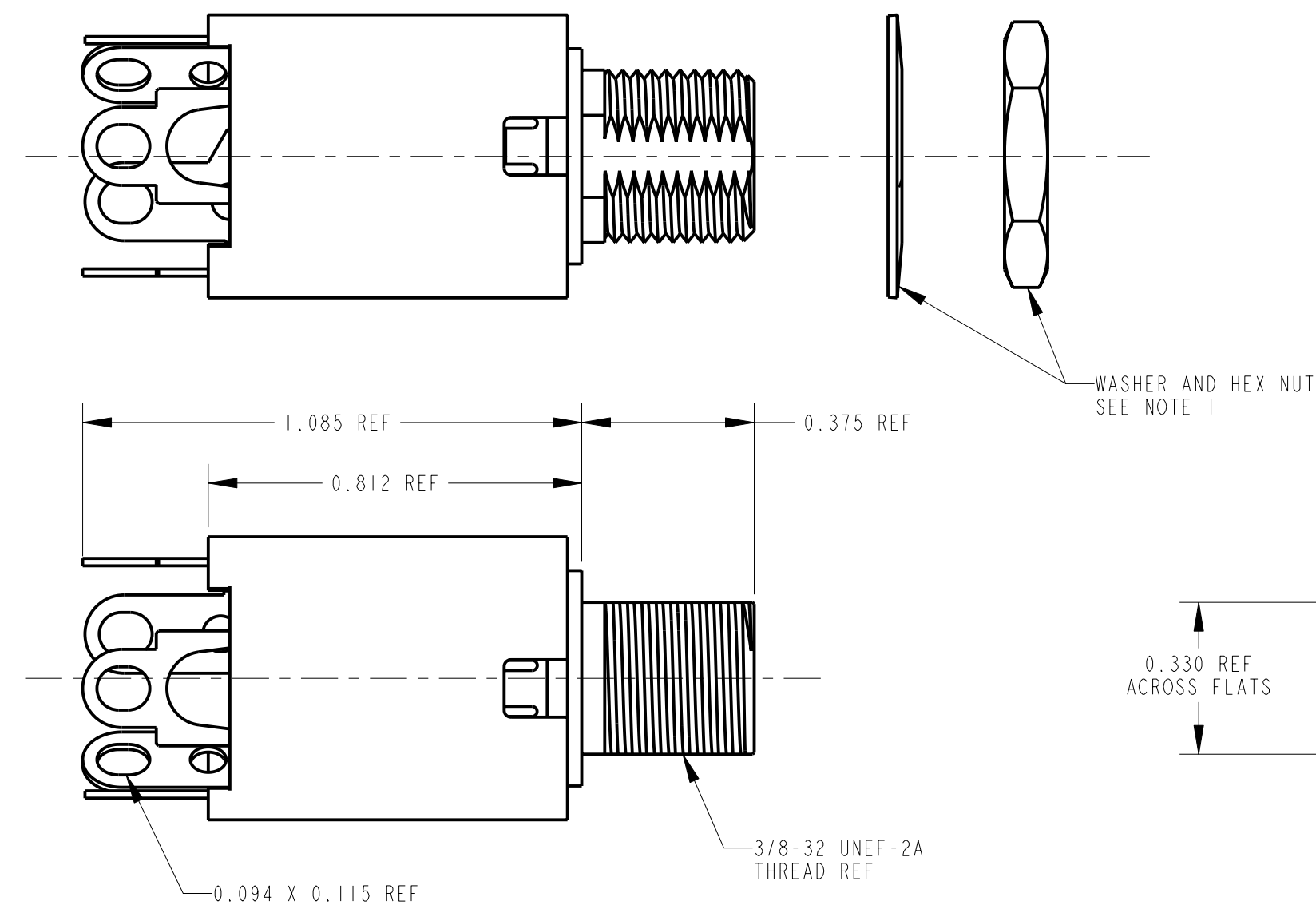
BLANK - SOLDER TERMINAL
PC - 0.078 WIDE PC TAILS
PCS - SNAP-IN PC TAILS

CIRCUITRY OPTIONS:

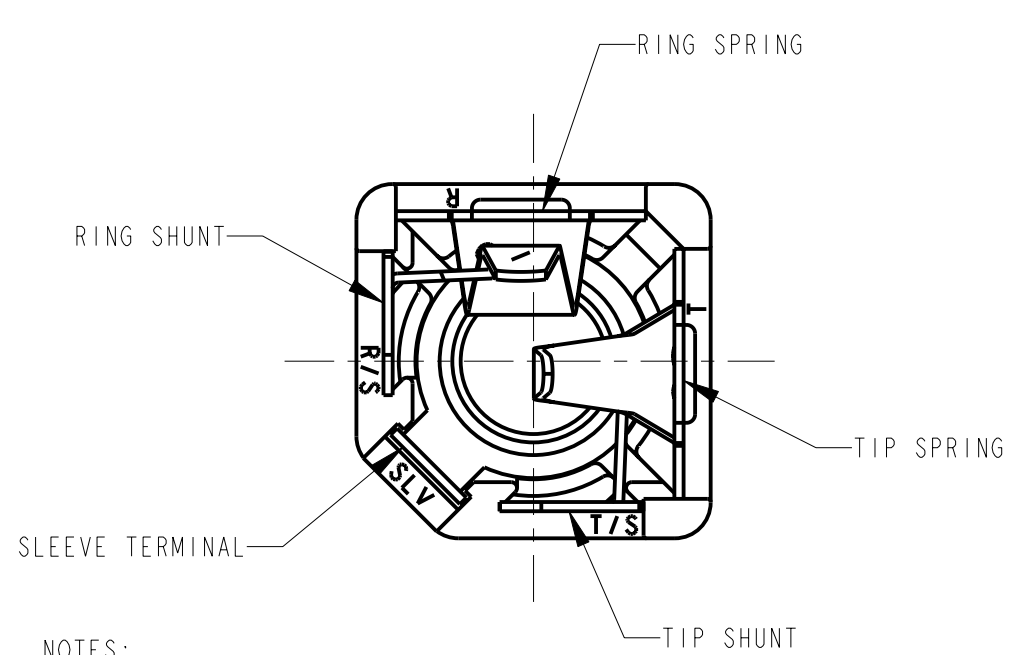
1 - TIP OPEN CIRCUIT	TIP SLEEVE
2A - TIP CLOSED CIRCUIT	TIP SLEEVE
2B - TIP & RING OPEN CIRCUIT	RING TIP SLEEVE
3 - TIP OPEN CIRCUIT AND ISOLATE "MAKE" CIRCUIT	TIP SLEEVE
3B - TIP CLOSED CIRCUIT AND RING OPEN CIRCUIT (I-C TRANSFER)	RING TIP SLEEVE
3D - I TIP CLOSED CIRCUIT AND I TIP OPEN CIRCUIT	TIP SLEEVE
3E - TIP OPEN CIRCUIT AND ISOLATED "BREAK" CIRCUIT	TIP SLEEVE
3F - TIP OPEN CIRCUIT AND RING CLOSED CIRCUIT	RING TIP SLEEVE
4B - TIP & RING CLOSED CIRCUIT	RING TIP SLEEVE



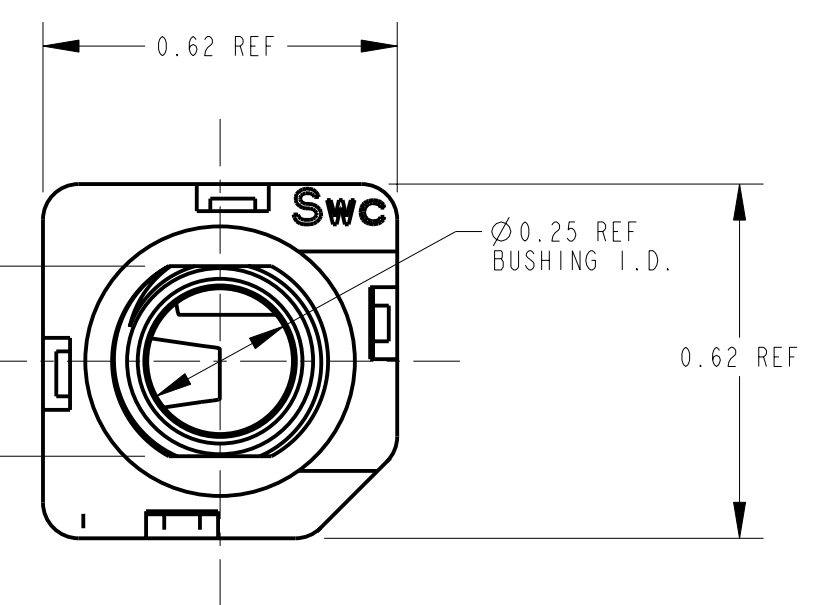
PC TERMINAL OPTION
PCB LAYOUT - COMPONENT SIDE



SOLDER TERMINAL OPTION



- NOTES:
- HARDWARE SHIPPED UNASSEMBLED.
 - MAXIMUM PANEL THICKNESS: 0.25
 - MATERIALS:
HOUSING - POLYESTER GLASS FILLED, BLACK
BUSHING - THERMOPLASTIC, BLACK WITH BRASS, NICKEL PLATED SLEEVE
SLEEVE TERMINAL - BRASS, LEAD FREE ELECTRO-TIN PLATED
SPRINGS - NICKEL SILVER, LEAD FREE ELECTRO-TIN PLATED
LIFTERS - NYLON (113 & 113E CIRCUIT OPTIONS)
WASHER - STEEL, NICKEL PLATED
NUT - BRASS, NICKEL PLATED
 - THIS PRODUCT IS RoHS COMPLIANT.



CUSTOMER DRAWING

<p>★ STAR SYMBOL DENOTES CRITICAL DIMENSION</p> <p>UNLESS OTHERWISE SPECIFIED</p> <p>1. ALL DIMENSIONS IN INCHES - TWO PLACE DECIMALS ±0.01 - THREE PLACE DECIMALS ±0.005 - ANGLES ±1° - ALL DIA. CONCENTRIC WITHIN 0.005 T.I.R.</p> <p>2. FEATURES ON THE SAME CENTERLINE MUST BE ALIGNED WITHIN ±0.002</p> <p>3. REMOVE ALL BURRS</p> <p>DO NOT SCALE DRAWING</p>					<p>THIS DRAWING DESCRIBES A DESIGN CONSIDERED PROPRIETARY IN NATURE, DEVELOPED AND MANUFACTURED BY SWITCHCRAFT INC. AND IS RELEASED ON A CONFIDENTIAL BASIS FOR IDENTIFICATION PURPOSES ONLY.</p> <table border="1"> <tr> <td>SIZE</td> <td>WIDTH</td> <td>MULT</td> <td>LBS/M</td> <td>TEMPER</td> </tr> <tr> <td colspan="2">FINISH</td> <td colspan="3">MATERIAL</td> </tr> <tr> <td colspan="2">SPEC No.</td> <td colspan="3">SPEC No.</td> </tr> <tr> <td colspan="3">FIRST USED ON</td> <td colspan="2">SCALE</td> </tr> <tr> <td colspan="3"></td> <td colspan="2">3:1</td> </tr> <tr> <td>DATE DRAWN</td> <td>BY</td> <td>CHKD</td> <td colspan="2">APVD</td> </tr> <tr> <td>17-Jul-08</td> <td>TJK</td> <td>TJK</td> <td colspan="2">TJK</td> </tr> <tr> <td colspan="3"></td> <td colspan="2">7-17-08</td> </tr> <tr> <td colspan="5">NAME</td> </tr> <tr> <td colspan="5">#3/8-32, LONG INSULATED BUSHING</td> </tr> <tr> <td colspan="5">Ø0.25 I.D. HI-D JACK ASSY, RoHS</td> </tr> <tr> <td colspan="4">PART No. NLI10X SERIES</td> <td>REV</td> </tr> <tr> <td colspan="4">MNL10X SERIES</td> <td>A</td> </tr> </table>					SIZE	WIDTH	MULT	LBS/M	TEMPER	FINISH		MATERIAL			SPEC No.		SPEC No.			FIRST USED ON			SCALE					3:1		DATE DRAWN	BY	CHKD	APVD		17-Jul-08	TJK	TJK	TJK					7-17-08		NAME					#3/8-32, LONG INSULATED BUSHING					Ø0.25 I.D. HI-D JACK ASSY, RoHS					PART No. NLI10X SERIES				REV	MNL10X SERIES				A
SIZE	WIDTH	MULT	LBS/M	TEMPER																																																																						
FINISH		MATERIAL																																																																								
SPEC No.		SPEC No.																																																																								
FIRST USED ON			SCALE																																																																							
			3:1																																																																							
DATE DRAWN	BY	CHKD	APVD																																																																							
17-Jul-08	TJK	TJK	TJK																																																																							
			7-17-08																																																																							
NAME																																																																										
#3/8-32, LONG INSULATED BUSHING																																																																										
Ø0.25 I.D. HI-D JACK ASSY, RoHS																																																																										
PART No. NLI10X SERIES				REV																																																																						
MNL10X SERIES				A																																																																						
<table border="1"> <tr> <td>REV</td> <td>ECO NUMBER</td> <td>DATE</td> <td>BY</td> <td>APVD</td> </tr> <tr> <td>A</td> <td>26032</td> <td>3-25-11</td> <td>TJK</td> <td>TJK</td> </tr> </table>					REV	ECO NUMBER	DATE	BY	APVD	A	26032	3-25-11	TJK	TJK	<p>Pro/Engineer CAD File</p>																																																											
REV	ECO NUMBER	DATE	BY	APVD																																																																						
A	26032	3-25-11	TJK	TJK																																																																						