



Chipsmall Limited consists of a professional team with an average of over 10 year of expertise in the distribution of electronic components. Based in Hongkong, we have already established firm and mutual-benefit business relationships with customers from,Europe,America and south Asia,supplying obsolete and hard-to-find components to meet their specific needs.

With the principle of "Quality Parts,Customers Priority,Honest Operation,and Considerate Service",our business mainly focus on the distribution of electronic components. Line cards we deal with include Microchip,ALPS,ROHM,Xilinx,Pulse,ON,Everlight and Freescale. Main products comprise IC,Modules,Potentiometer,IC Socket,Relay,Connector.Our parts cover such applications as commercial,industrial, and automotives areas.

We are looking forward to setting up business relationship with you and hope to provide you with the best service and solution. Let us make a better world for our industry!



Contact us

Tel: +86-755-8981 8866 Fax: +86-755-8427 6832

Email & Skype: info@chipsmall.com Web: www.chipsmall.com

Address: A1208, Overseas Decoration Building, #122 Zhenhua RD., Futian, Shenzhen, China





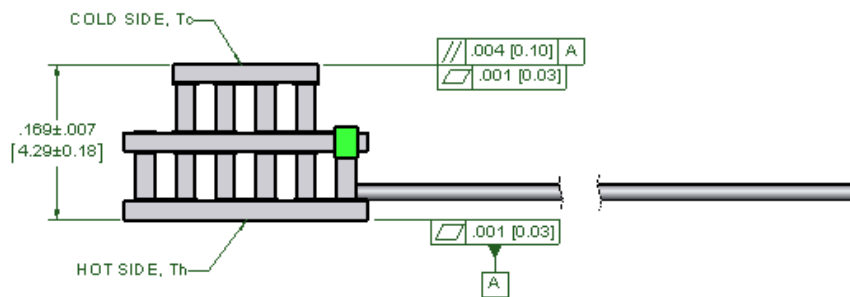
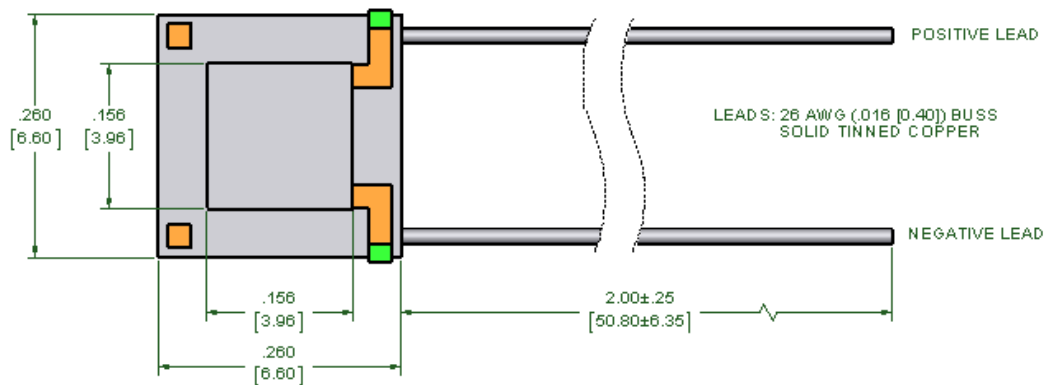
NL2011T

Thermoelectric Cooler
 RoHS EU Compliant

TYPICAL PERFORMANCE VALUES

Hot Side Temperature (°C)	27°C	50°C
ΔT_{max} (°C-dry N ₂):	76	87
Q _{max} (watts):	0.47	0.53
I _{max} (amps):	0.7	0.7
V _{max} (vdc):	1.9	2.2
AC Resistance (ohms):	2.52	--

MECHANICAL CHARACTERISTICS



CERAMIC MATERIAL: ALUMINA (Al₂O₃)
 MILLIMETERS ARE IN []

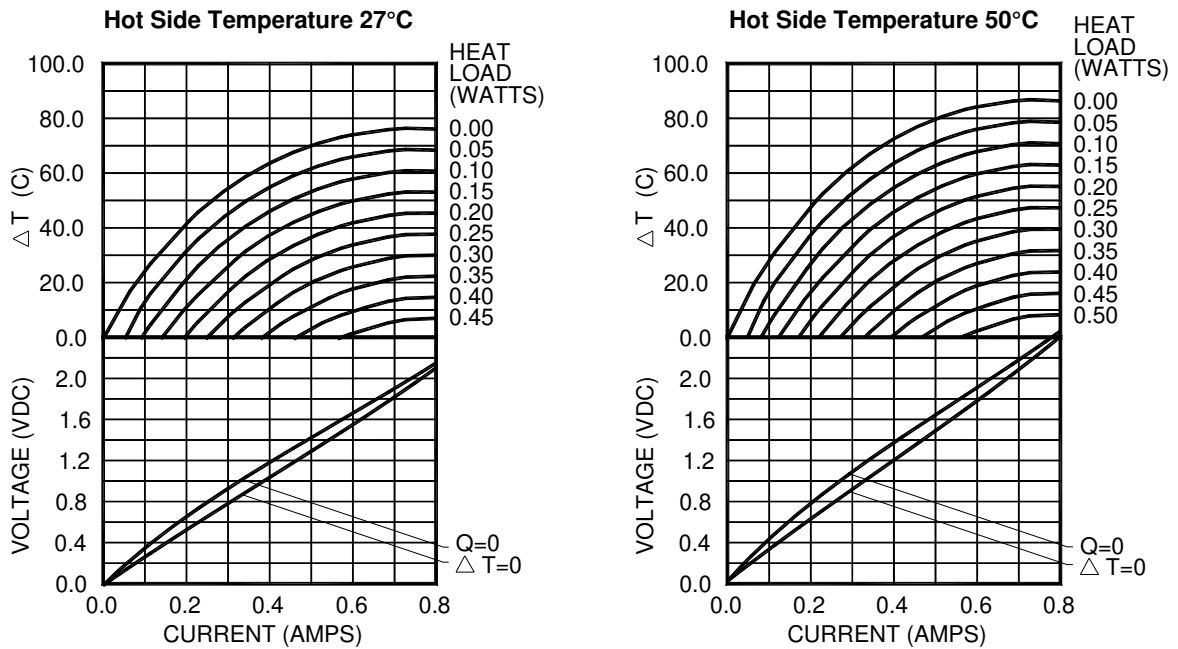
ORDERING OPTIONS

Model Number	Description
NL2011T-01	both surfaces are metallized
NL2011T-02	hot side exterior is metallized
NL2011T-03	no metallization

AVAILABLE MODIFICATIONS

- Pretinned metallized ceramic surface(s) with 117°C solder.
- Thermistor mounted on edge of cold side ceramic. (Calibration available.)
- Elevated temperature burn-in with test data provided.

ENVIRONMENT: ONE ATMOSPHERE DRY NITROGEN



For performance information in a vacuum or with hot side temperatures other than 27°C or 50°C, consult one of our Applications Engineers.

Installation

Recommended mounting methods: Bonding with thermal epoxy or soldering with metallized ceramics. For additional information, please refer to our TEC Installation Guide.

Operation Cautions

For maximum reliability, storage and operation below 85°C in a non-condensing environment is recommended. To minimize thermal stress, use linear/proportional temperature control or a similar method rather than an ON/OFF method.

CONTACT US:

For customer support or general questions please contact a local office below or consult our website for distributor information.

Marlow Industries, Inc.
 10451 Vista Park Road
 Dallas Texas 75238-1645
 214-340-4900 (tel)
 214-341-5212 (fax)
 www.marlow.com

Marlow Industries Europe GmbH
 Brunnenweg 19-21
 64331 Weiterstadt
 Germany
 Tel.: +49 (0) 6150 5439 - 403
 Fax: +49 (0) 6150 5439 - 400
 info@marlow-europe.eu

II-VI Japan Inc.
 WBG Marive East 17F
 2-6 Nakase, Mihama-ku
 Chiba-Shi, Chiba 261-7117
 Japan
 81 43 297 2693 (tel)
 81 43 297 3003 (fax)
 center@ii-vi.co.jp
 www.ii-vi.co.jp

II-VI Singapore Pte., Ltd.
 Blk. 5012, Techplace II
 #04-07 & 05-07/12, Ang Mo Kio Ave. 5
 Singapore 569876
 (65) 6481 8215 (tel)
 (65) 6481 8702 (fax)
 info@ii-vi.com.sg
 www.ii-vi.com.sg

Marlow Industries China, II-VI
 Technologies Beijing
 A subsidiary of II-VI Incorporated
 Rm 202, 1# Lize 2nd Middle Road
 Wangjing, Chaoyang District
 Beijing 100102 China
 010-64398226 ext 105 (tel)
 010-64399315 (fax)
 info@iivibj.com