



Chipsmall Limited consists of a professional team with an average of over 10 year of expertise in the distribution of electronic components. Based in Hongkong, we have already established firm and mutual-benefit business relationships with customers from,Europe,America and south Asia,supplying obsolete and hard-to-find components to meet their specific needs.

With the principle of “Quality Parts,Customers Priority,Honest Operation,and Considerate Service”,our business mainly focus on the distribution of electronic components. Line cards we deal with include Microchip,ALPS,ROHM,Xilinx,Pulse,ON,Everlight and Freescale. Main products comprise IC,Modules,Potentiometer,IC Socket,Relay,Connector.Our parts cover such applications as commercial,industrial, and automotives areas.

We are looking forward to setting up business relationship with you and hope to provide you with the best service and solution. Let us make a better world for our industry!



Contact us

Tel: +86-755-8981 8866 Fax: +86-755-8427 6832

Email & Skype: info@chipsmall.com Web: www.chipsmall.com

Address: A1208, Overseas Decoration Building, #122 Zhenhua RD., Futian, Shenzhen, China



NLP40 Series

Cover accessory kit

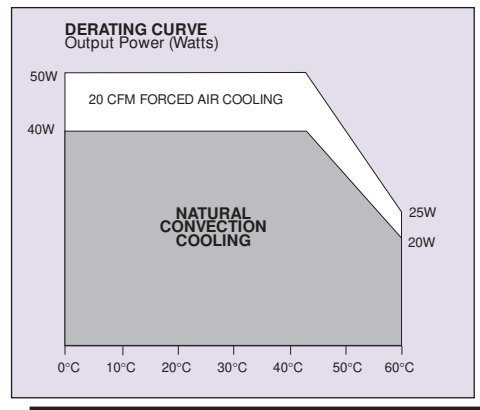
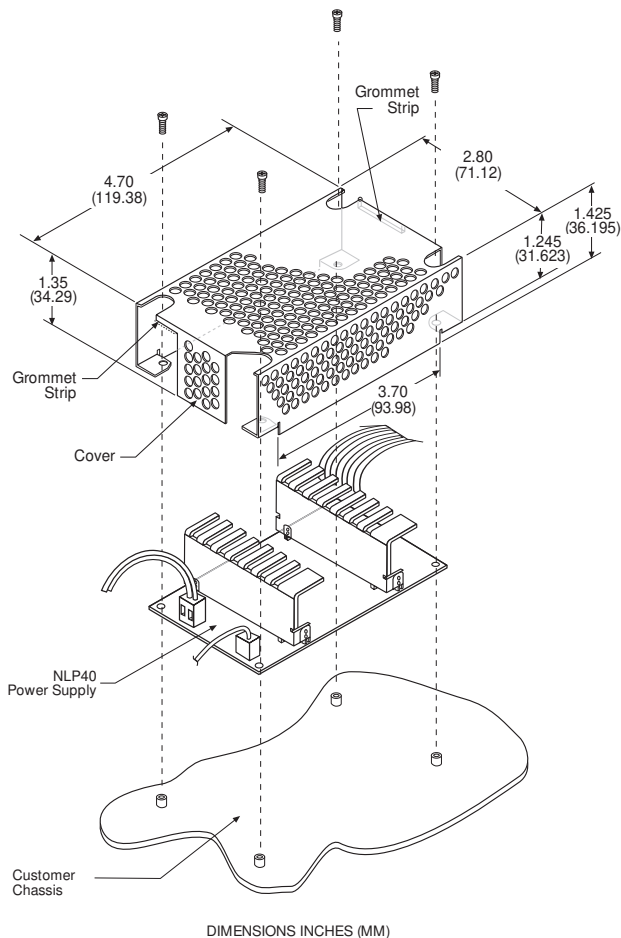
- NLP40 cover
- Mounting bracket kit available

The NLP40 series is available with a cover accessory kit to facilitate easy mechanical integration of the PSU into the system. The cover can be used with or without the NLP40 mounting bracket. The mounting bracket and cover kits are sold separately to retain their inherent flexibility. The NLP40 cover is easy to install. It is placed on the PSU mounting holes and attached with 4 screws to stand-offs on the system chassis or the NLP40 mounting bracket. The cover kit can be utilised in systems to ensure extra safety precautions are made for service personnel.



2 YEAR WARRANTY

COVER KIT



MODEL NUMBER: NLP40C

Materials

- 1 Cover (4.70 x 2.80 x 1.43 inches)
- 1 Installation instructions

Assembly Notes

- 1 Before assembly, ensure unit has been turned off for at least ten minutes.
- 2 Place the power supply on the customer chassis.
- 3 Cover the cable exit area with the provided grommet strip.
- 4 Put the cover on the PCB.
- 5 Secure 4 screws through the holes as shown.
- 6 When a cover or other sheetmetal option is added by a person or persons outside the factory, it is the user's responsibility to ensure that the requirements of the relevant safety agency, or agencies, are complied with.

Data Sheet © Artesyn Technologies® 2002

The information and specifications contained in this data sheet are believed to be correct at time of publication. However, Artesyn Technologies accepts no responsibility for consequences arising from printing errors or inaccuracies. Specifications are subject to change without notice. No rights under any patent accompany the sale of any such product(s) or information contained herein.