



Chipsmall Limited consists of a professional team with an average of over 10 year of expertise in the distribution of electronic components. Based in Hongkong, we have already established firm and mutual-benefit business relationships with customers from,Europe,America and south Asia,supplying obsolete and hard-to-find components to meet their specific needs.

With the principle of “Quality Parts,Customers Priority,Honest Operation,and Considerate Service”,our business mainly focus on the distribution of electronic components. Line cards we deal with include Microchip,ALPS,ROHM,Xilinx,Pulse,ON,Everlight and Freescale. Main products comprise IC,Modules,Potentiometer,IC Socket,Relay,Connector.Our parts cover such applications as commercial,industrial, and automotives areas.

We are looking forward to setting up business relationship with you and hope to provide you with the best service and solution. Let us make a better world for our industry!



## Contact us

Tel: +86-755-8981 8866 Fax: +86-755-8427 6832

Email & Skype: info@chipsmall.com Web: www.chipsmall.com

Address: A1208, Overseas Decoration Building, #122 Zhenhua RD., Futian, Shenzhen, China



# NLP65 Series

## Snap-on cover accessory kit

LOW TO MEDIUM POWER AC/DC POWER SUPPLIES

1

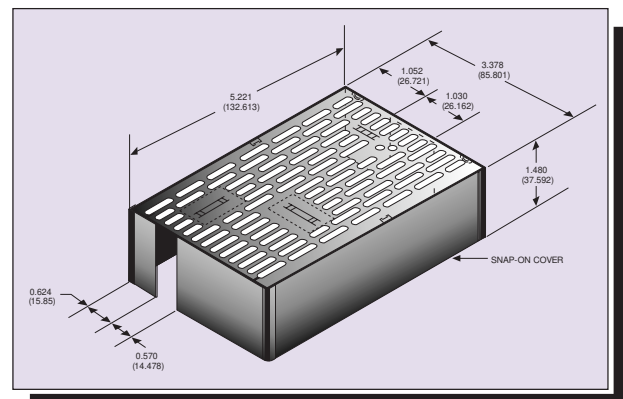
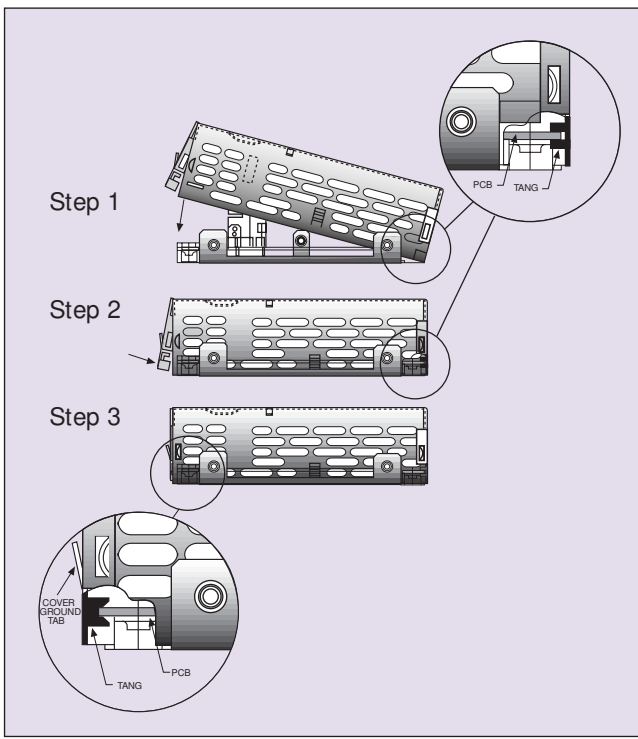
- Snap-on cover
- No screws required
- Easy to install
- Mounting bracket kit available

The NLP65 series is available with a Snap-on cover accessory kit to facilitate flexible customer installation. The Snap-on cover kit is unique to the industry as it can be installed without the use of screws. The Snap-on cover installation is independent of the power supply mounting position thus offering various mounting options to the customer. The cover is installed directly to the power supply PCB allowing the power supply to be mounted either on the NLP65 mounting bracket or on the customer's system chassis. The mounting bracket and cover kit are sold as separate items to retain their inherent flexibility. The NLP65 Snap-on cover is flexible, easy to install and is suitable for applications that require power supply installation options without any additional mechanical work for the system designer.



2 YEAR WARRANTY

### SNAP-ON COVER KIT



#### MODEL NUMBER: NLP65C

##### Materials

- 1 Cover (5.22 x 3.38 x 1.48 inches)
- 1 Installation instructions

##### Assembly Notes

- 1 The power supply must be attached to the optional mounting base or customer (system) chassis before cover installation.
- 2 The input and output connectors must be attached before the cover is installed.
- 3 Place the cover so that the tangs capture the power supply PCB and on the output side as shown in step 1.
- 4 Place the cover down onto the PCB as shown in step 2 and snap the open end of the cover to the sides ensuring that the tangs capture the PCB as shown in step 3.
- 5 Ground the cover by securely pressing a customer supplied female quick connect connector with attached ground wire to the cover ground tab.
- 6 To remove the cover, simply press the sides inward at the snaps until the snaps release.
- 7 When a cover or other sheetmetal option is added, it is the user's responsibility to ensure that the requirements of the relevant safety agency, or agencies, are complied with.

Data Sheet © Artesyn Technologies® 2002

The information and specifications contained in this data sheet are believed to be correct at time of publication. However, Artesyn Technologies accepts no responsibility for consequences arising from printing errors or inaccuracies. Specifications are subject to change without notice. No rights under any patent accompany the sale of any such product(s) or information contained herein.