



Chipsmall Limited consists of a professional team with an average of over 10 year of expertise in the distribution of electronic components. Based in Hongkong, we have already established firm and mutual-benefit business relationships with customers from,Europe,America and south Asia,supplying obsolete and hard-to-find components to meet their specific needs.

With the principle of "Quality Parts,Customers Priority,Honest Operation,and Considerate Service",our business mainly focus on the distribution of electronic components. Line cards we deal with include Microchip,ALPS,ROHM,Xilinx,Pulse,ON,Everlight and Freescale. Main products comprise IC,Modules,Potentiometer,IC Socket,Relay,Connector.Our parts cover such applications as commercial,industrial, and automotives areas.

We are looking forward to setting up business relationship with you and hope to provide you with the best service and solution. Let us make a better world for our industry!



## Contact us

Tel: +86-755-8981 8866 Fax: +86-755-8427 6832

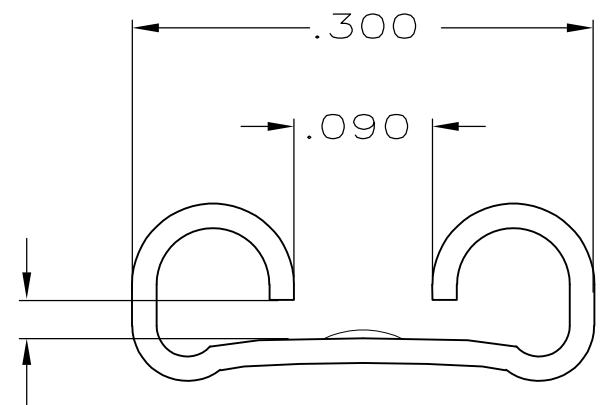
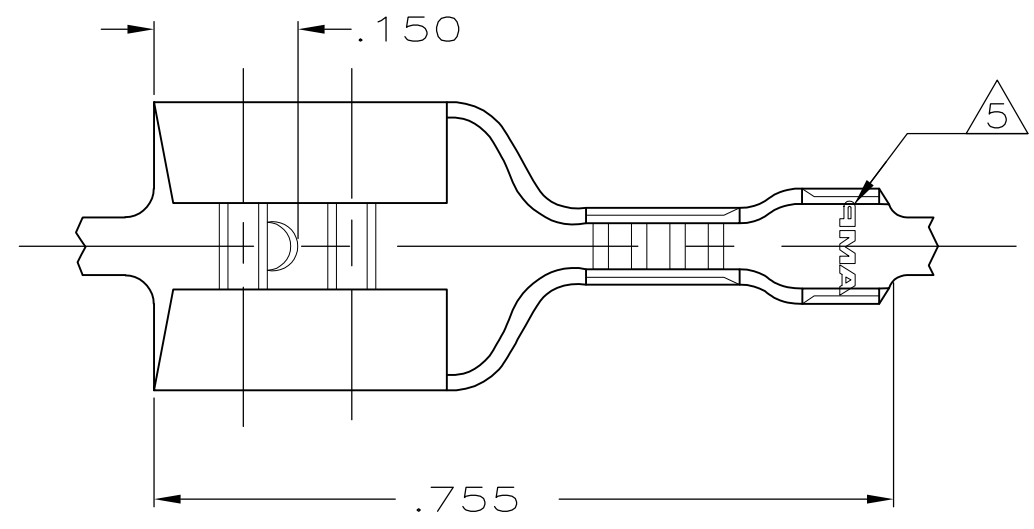
Email & Skype: info@chipsmall.com Web: www.chipsmall.com

Address: A1208, Overseas Decoration Building, #122 Zhenhua RD., Futian, Shenzhen, China



THIS DRAWING IS UNPUBLISHED. RELEASED FOR PUBLICATION  
 © COPYRIGHT - By - ALL RIGHTS RESERVED.

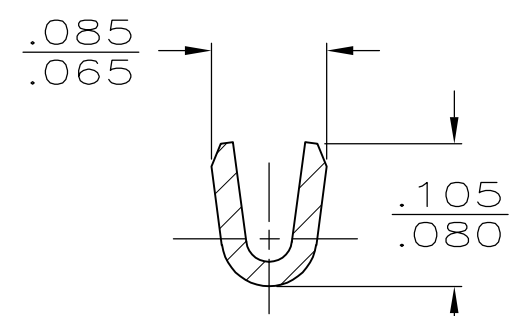
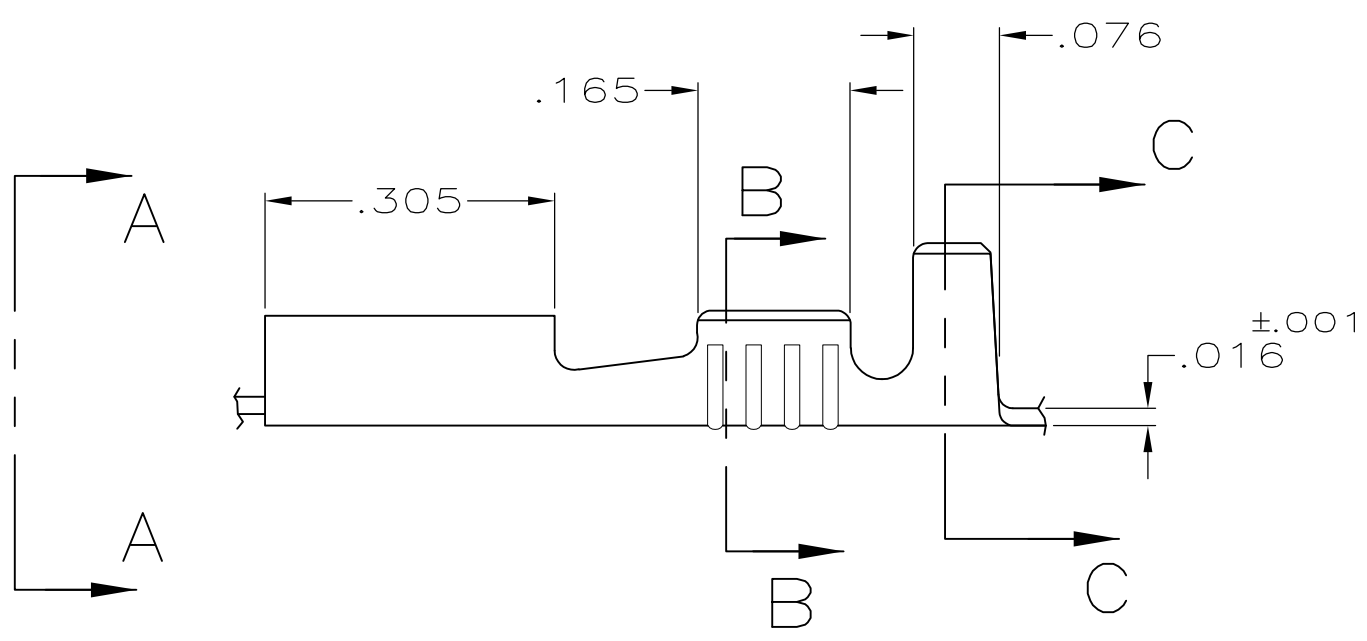
LOC	DIST	REVISIONS					
AF	50	P	LTR	DESCRIPTION	DATE	DWN	APVD
			H	REVISED PER ECR-12-013459	29NOV2012	KH	PD



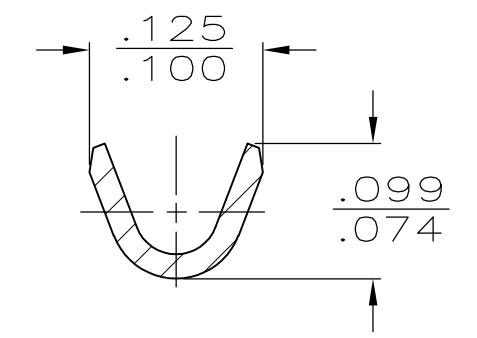
FITS .250 SERIES FASTON TAB

VIEW A-A  
SCALE 8:1

- 1 CONTINUOUS STRIP ON REELS
- 2 MATERIAL BRASS - TIN PLATE
- 3 MATERIAL #2H STEEL - GOLD PLATE .000050 MIN OVER NICKEL.
- 4 MATERIAL T3 PHOS BRZ - TIN PLATE
- 5 FOR 61368-3 ONLY, AMP\*. ALL OTHERS JUST AMP.



SECTION B-B  
SCALE 8:1



SECTION C-C  
SCALE 8:1

OBSOLETE	.030-.070	24-20	.032	4	61368-3
	.030-.070	24-20	.032	3	<del>61368-2</del>
	.030-.070	24-20	.032	2	61368-1
	INSUL RANGE	WIRE SIZE	MATING TAB THK ±.001	MATERIAL FINISH	PART NO

THIS DRAWING IS A CONTROLLED DOCUMENT.		DWN	JR RUTH	12/3/90	<b>TE Connectivity</b> RECEPTACLE, FASTON,™ .250 SERIES						
DIMENSIONS: INCHES		CHK	MS FEHER	12/3/90							
TOLERANCES UNLESS OTHERWISE SPECIFIED:		APVD	C MEYERS	12/3/90							
0 PLC ± - 1 PLC ± - 2 PLC ± - 3 PLC ± .010 4 PLC ± - ANGLES ± -		PRODUCT SPEC		NAME							
MATERIAL SEE TABLE		FINISH SEE TABLE		APPLICATION SPEC	SIZE	CAGE CODE	DRAWING NO	RESTRICTED TO			
				WEIGHT	A300779		C-61368				
				CUSTOMER DRAWING		SCALE	5:1	SHEET	1 OF 1	REV	H