



Chipsmall Limited consists of a professional team with an average of over 10 year of expertise in the distribution of electronic components. Based in Hongkong, we have already established firm and mutual-benefit business relationships with customers from,Europe,America and south Asia,supplying obsolete and hard-to-find components to meet their specific needs.

With the principle of “Quality Parts,Customers Priority,Honest Operation,and Considerate Service”,our business mainly focus on the distribution of electronic components. Line cards we deal with include Microchip,ALPS,ROHM,Xilinx,Pulse,ON,Everlight and Freescale. Main products comprise IC,Modules,Potentiometer,IC Socket,Relay,Connector.Our parts cover such applications as commercial,industrial, and automotives areas.

We are looking forward to setting up business relationship with you and hope to provide you with the best service and solution. Let us make a better world for our industry!



Contact us

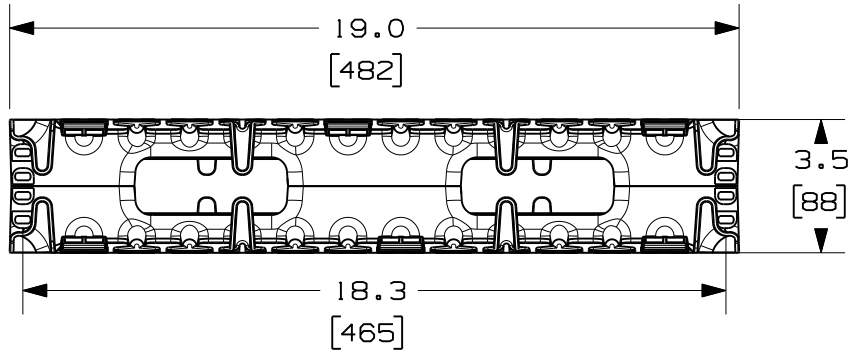
Tel: +86-755-8981 8866 Fax: +86-755-8427 6832

Email & Skype: info@chipsmall.com Web: www.chipsmall.com

Address: A1208, Overseas Decoration Building, #122 Zhenhua RD., Futian, Shenzhen, China

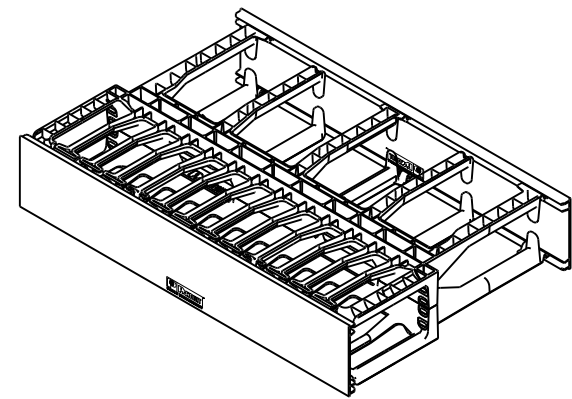
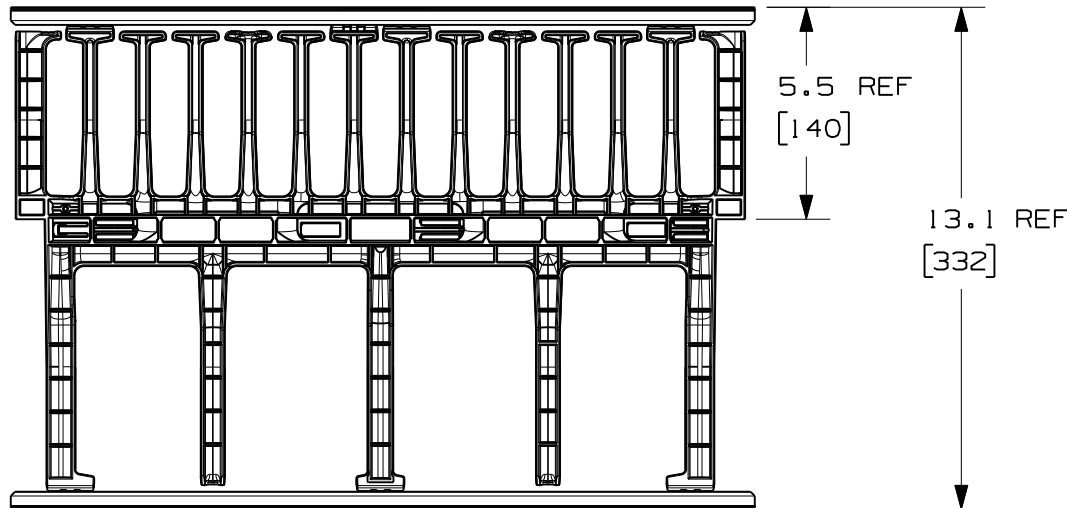


THIS COPY IS PROVIDED ON A RESTRICTED BASIS AND IS NOT TO BE USED IN ANY WAY DETRIMENTAL TO THE INTERESTS OF PANDUIT CORP.



PANDUIT P/N	WEIGHT
NM2	2.5 LBS/EACH 1134g/EACH

- NOTES:
- VISIT OUR ON-LINE CATALOG AT WWW.PANDUIT.COM FOR A CURRENT LIST OF PRODUCTS APPLICABLE FOR USE WITH THIS PART.
 - COMPONENTS:
1- 2RU MANAGER (FRONT AND REAR)
2- 2RU 19" COVERS
 - DIMENSIONS IN PARENTHESIS ARE METRIC.



MODEL FILENAME V10404AA_NM2_ASSY_05.PRT
 CAD FILENAME/LAYERS V10404AA_DC_05A.PRT

PANDUIT CORP. TINLEY PARK, ILLINOIS
 NM2 CABLE MANAGER
 CUSTOMER DRAWING

REV	DATE	BY	CHK	DESCRIPTION	ECN	R	CUST	SUP	OTH
2	04-30-07	BAME		FEATURE ADDED	10404-20				
1	4-11-07	BAME	DPN	ADDED 1 DIM	10404-20		CMK		
00	03-06-07	BAME	TCK	RELEASED TO PRODUCTION	10404-20		CMK		

UNLESS OTHERWISE SPECIFIED, DIMENSIONAL TOLERANCES ARE: INCHES X.X +/- 0.03 X.XX +/- 0.015 X.XXX +/- 0.005 [METRIC - MILLIMETER] X. +/- 0.8 X.X +/- 0.4 X.XX +/- 0.13 ANGLE +/- 1°		UNLESS OTHERWISE SPECIFIED, ALL DIMENSIONS ARE GIVEN IN INCHES, THIRD ANGLE PROJECTION.	
DRAWN BY BAME	MAT'L: MANAGER: ABS 2RU COVERS: PVC	SCALE NONE	DWG A SIZE
DATE 03-06-07	CHK'D TCK	DRAWING NO. 10404-20	