



Chipsmall Limited consists of a professional team with an average of over 10 year of expertise in the distribution of electronic components. Based in Hongkong, we have already established firm and mutual-benefit business relationships with customers from,Europe,America and south Asia,supplying obsolete and hard-to-find components to meet their specific needs.

With the principle of “Quality Parts,Customers Priority,Honest Operation,and Considerate Service”,our business mainly focus on the distribution of electronic components. Line cards we deal with include Microchip,ALPS,ROHM,Xilinx,Pulse,ON,Everlight and Freescale. Main products comprise IC,Modules,Potentiometer,IC Socket,Relay,Connector.Our parts cover such applications as commercial,industrial, and automotives areas.

We are looking forward to setting up business relationship with you and hope to provide you with the best service and solution. Let us make a better world for our industry!



## Contact us

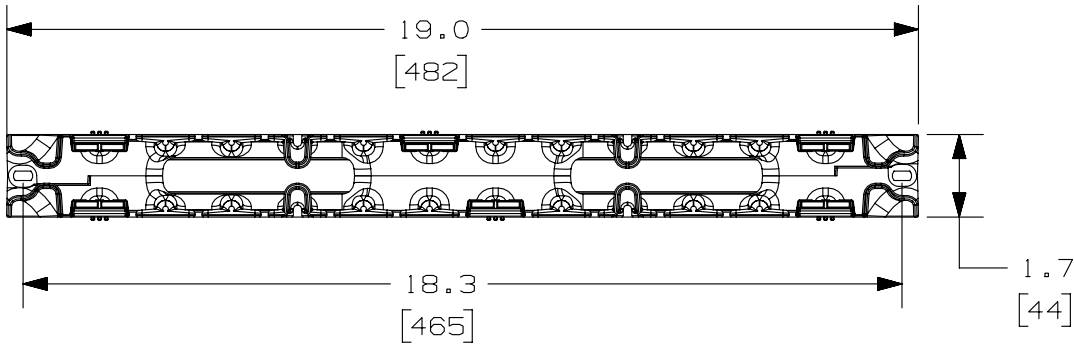
Tel: +86-755-8981 8866 Fax: +86-755-8427 6832

Email & Skype: info@chipsmall.com Web: www.chipsmall.com

Address: A1208, Overseas Decoration Building, #122 Zhenhua RD., Futian, Shenzhen, China



THIS COPY IS PROVIDED ON A RESTRICTED BASIS AND IS NOT TO BE USED IN ANY WAY DETRIMENTAL TO THE INTERESTS OF PANDUIT CORP.

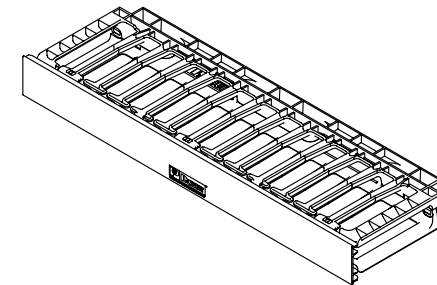
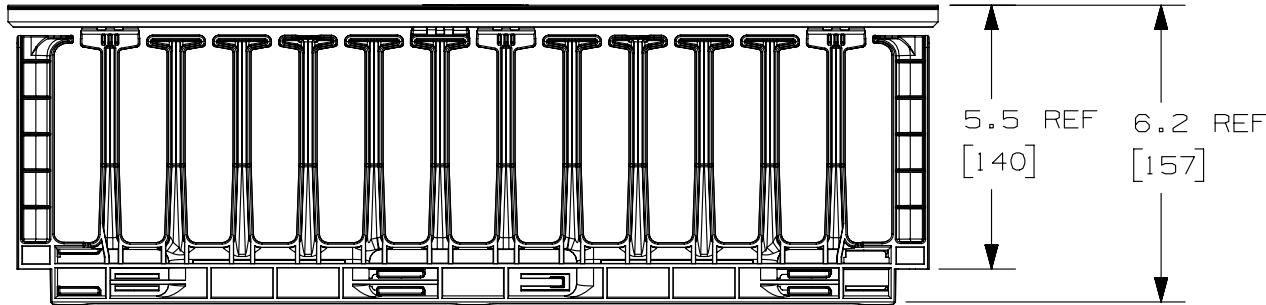


PANDUIT P/N	WEIGHT
NMF1 NMF1WH	1.1 LBS/EACH 513 g/EACH

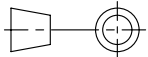


NOTES:

- VISIT OUR ON-LINE CATALOG AT [WWW.PANDUIT.COM](http://WWW.PANDUIT.COM) FOR A CURRENT LIST OF PRODUCTS APPLICABLE FOR USE WITH THIS PART.
- COMPONENTS:  
1- 1 RU MANAGER (FRONT ONLY)  
1- 1 RU 19" COVER
- DIMENSIONS IN PARENTHESES ARE METRIC.



REV	DATE	BY	CHK	APR	DESCRIPTION	ECN
02A	10/14/14	FGR			A. P/N NMF1WH ADDED	V09000AS
01C	9-17-13	FGR			DRAWING UPDATED	
01B	4-1-13	RYB			REDRAWN, REMOVED OLD REVISIONS	

TITLE <b>NMF1 CABLE MANAGER CUSTOMER DRAWING</b>					
ITEM REVISION NAME V10404AH/02				<b>PANDUIT</b>	
DATASET FILE NAME V10404AH_DC/02A					
UNLESS OTHERWISE SPECIFIED, DIMENSIONAL TOLERANCES ARE: IN (mm)				MATERIAL: MANAGER: ABS 1RU COVER: PVC	
 THIRD ANGLE PROJECTION				DRAWING NUMBER: 10404-15	
DRAWN BY BAME	DATE 3-6-07	CHK TCK	SCALE NONE	SHT 1 OF 1	SIZE A

D10100DA/15