



Chipsmall Limited consists of a professional team with an average of over 10 year of expertise in the distribution of electronic components. Based in Hongkong, we have already established firm and mutual-benefit business relationships with customers from,Europe,America and south Asia,supplying obsolete and hard-to-find components to meet their specific needs.

With the principle of “Quality Parts,Customers Priority,Honest Operation,and Considerate Service”,our business mainly focus on the distribution of electronic components. Line cards we deal with include Microchip,ALPS,ROHM,Xilinx,Pulse,ON,Everlight and Freescale. Main products comprise IC,Modules,Potentiometer,IC Socket,Relay,Connector.Our parts cover such applications as commercial,industrial, and automotives areas.

We are looking forward to setting up business relationship with you and hope to provide you with the best service and solution. Let us make a better world for our industry!



## Contact us

Tel: +86-755-8981 8866 Fax: +86-755-8427 6832

Email & Skype: info@chipsmall.com Web: www.chipsmall.com

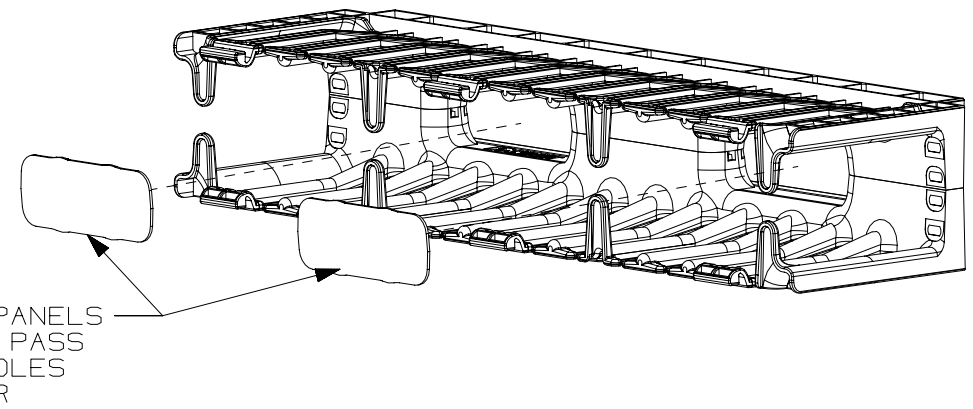
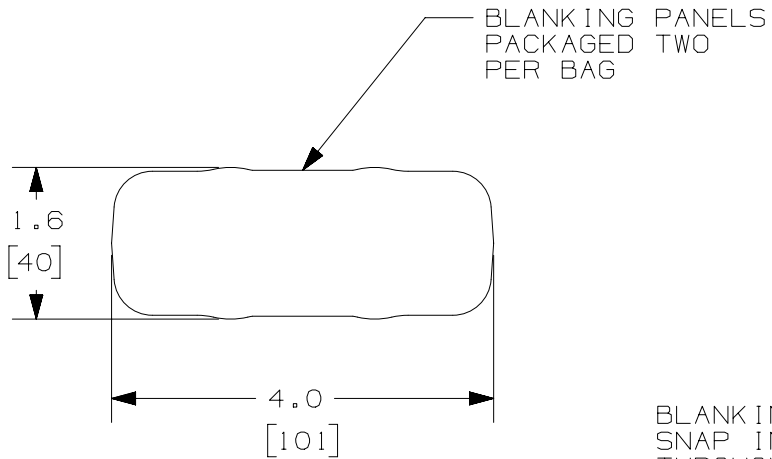
Address: A1208, Overseas Decoration Building, #122 Zhenhua RD., Futian, Shenzhen, China



THIS COPY IS PROVIDED ON A RESTRICTED BASIS AND IS NOT TO BE USED IN ANY WAY DETRIMENTAL TO THE INTERESTS OF PANDUIT CORP.

PANDUIT P/N	WEIGHT
NM2B	.2 LBS/EACH 5.7 g/EACH

- NOTES:
1. VISIT OUR ON-LINE CATALOG AT [WWW.PANDUIT.COM](http://WWW.PANDUIT.COM) FOR A CURRENT LIST OF PRODUCTS APPLICABLE FOR USE WITH THIS PART.
  2. COMPONENTS:  
2-NM2/NMF2 BLANKING PANELS
  3. DIMENSIONS IN PARENTHESIS ARE METRIC.



02C	3-8-17	TWV		JEFK	UPDATED TITLE OF DRAWING	V10404BT-DC
02B	6-23-15	TWV	MACA	KRKE	ADDED INSTALLATION VIEW	V10404BT-DC
02A	11-11-10	BAME			DRAWING RELEASED	V10404BT-DC
REV	DATE	BY	CHK	APR	DESCRIPTION	ECN

TITLE		BLANKING PANELS FOR NM2 AND NMF2 HORIZONTAL MANAGER (NM2B)	
		CUSTOMER DRAWING	
ITEM REVISION NAME		V10404BT/02	
DATASET FILE NAME		V10404BT_DC/02C	
UNLESS OTHERWISE SPECIFIED, DIMENSIONAL TOLERANCES ARE:		MATERIAL:	
INCHES	METRIC - MILLIMETER	PLASTIC	
X.X +/- 0.03	X +/- 0.8		
X.XX +/- 0.018	X.X +/- 0.46		
X.XXX +/- 0.007	X.XX +/- 0.18		
THIRD ANGLE PROJECTION		DRAWING NUMBER:	
		V10404BT-DC	
DRAWN BY	DATE	CHK	SCALE
BAME	11-11-10		NONE
SHT 1 OF 1		SIZE	
		A	