



Chipsmall Limited consists of a professional team with an average of over 10 year of expertise in the distribution of electronic components. Based in Hongkong, we have already established firm and mutual-benefit business relationships with customers from,Europe,America and south Asia,supplying obsolete and hard-to-find components to meet their specific needs.

With the principle of “Quality Parts,Customers Priority,Honest Operation,and Considerate Service”,our business mainly focus on the distribution of electronic components. Line cards we deal with include Microchip,ALPS,ROHM,Xilinx,Pulse,ON,Everlight and Freescale. Main products comprise IC,Modules,Potentiometer,IC Socket,Relay,Connector.Our parts cover such applications as commercial,industrial, and automotives areas.

We are looking forward to setting up business relationship with you and hope to provide you with the best service and solution. Let us make a better world for our industry!



Contact us

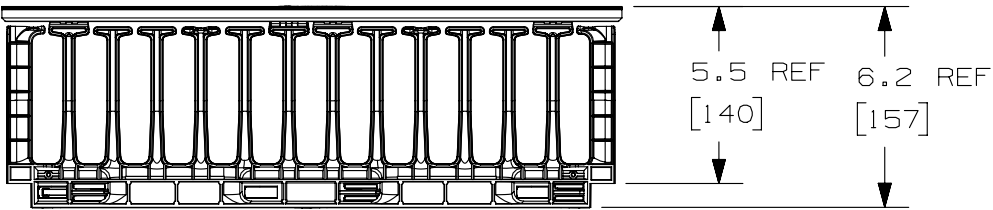
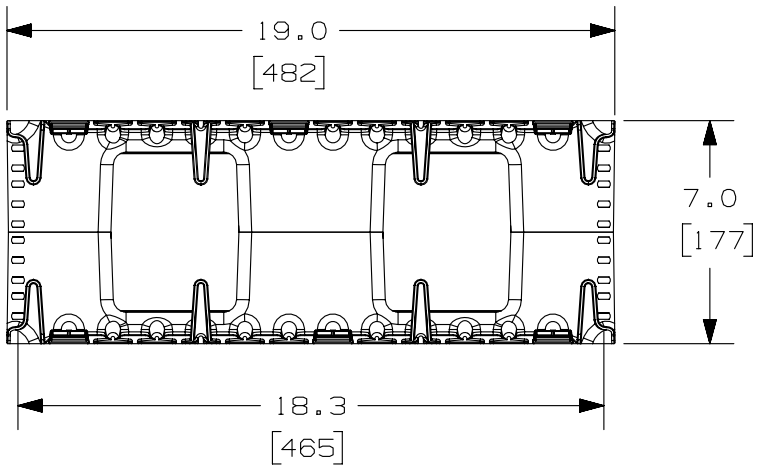
Tel: +86-755-8981 8866 Fax: +86-755-8427 6832

Email & Skype: info@chipsmall.com Web: www.chipsmall.com

Address: A1208, Overseas Decoration Building, #122 Zhenhua RD., Futian, Shenzhen, China



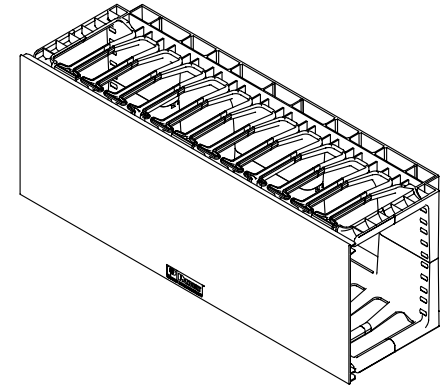
THIS COPY IS PROVIDED ON A RESTRICTED BASIS AND IS NOT TO BE USED IN ANY WAY DETRIMENTAL TO THE INTERESTS OF PANDUIT CORP.



PANDUIT P/N	WEIGHT
NMF4 NMF4WH	2.6 LBS/EACH 1179 g/EACH

NOTES:

- VISIT OUR ON-LINE CATALOG AT WWW.PANDUIT.COM FOR A CURRENT LIST OF PRODUCTS APPLICABLE FOR USE WITH THIS PART.
- COMPONENTS:
1- 4RU MANAGER (FRONT ONLY)
1- 4RU 19" COVER
- DIMENSIONS IN PARENTHESIS ARE METRIC.



REV	DATE	BY	CHK	APR	DESCRIPTION	ECN
03A	10/30/14	FGR	TCO	CAHE	P/N NMF4WH ADDED	V09000AS
01B	4-1-13	RYB			REDRAWN, REMOVED OLD REVISIONS	10404-18

TITLE		NMF4 CABLE MANAGER CUSTOMER DRAWING		
ITEM REVISION NAME		V10404AJ/03		
DATASET FILE NAME		V10404AJ_DC/03A		
UNLESS OTHERWISE SPECIFIED, DIMENSIONAL TOLERANCES ARE: IN (mm)		MATERIAL:		
.x ± .1 [2.54] .xxx ± .005 [.127]		MANAGER: ABS 4RU COVER: PVC		
.xx ± .01 [.25] ANGLES ± 5 °		DRAWING NUMBER:		
		10404-18		
DRAWN BY	DATE	CHK	SCALE	SIZE
BAME	3-5-07	TCK	NONE	A
SHT 1 OF 1				

D10100DA/15