



Chipsmall Limited consists of a professional team with an average of over 10 year of expertise in the distribution of electronic components. Based in Hongkong, we have already established firm and mutual-benefit business relationships with customers from,Europe,America and south Asia,supplying obsolete and hard-to-find components to meet their specific needs.

With the principle of "Quality Parts,Customers Priority,Honest Operation,and Considerate Service",our business mainly focus on the distribution of electronic components. Line cards we deal with include Microchip,ALPS,ROHM,Xilinx,Pulse,ON,Everlight and Freescale. Main products comprise IC,Modules,Potentiometer,IC Socket,Relay,Connector.Our parts cover such applications as commercial,industrial, and automotives areas.

We are looking forward to setting up business relationship with you and hope to provide you with the best service and solution. Let us make a better world for our industry!



Contact us

Tel: +86-755-8981 8866 Fax: +86-755-8427 6832

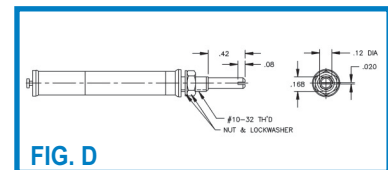
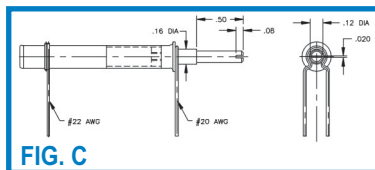
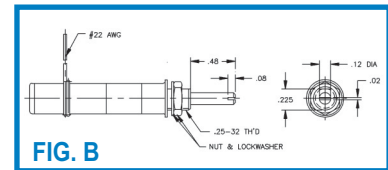
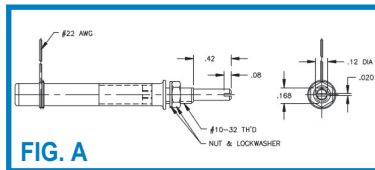
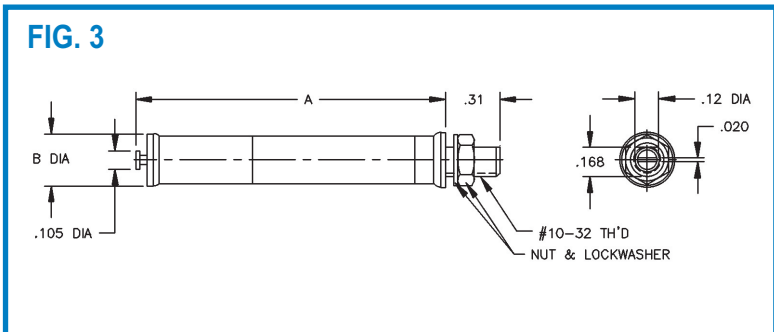
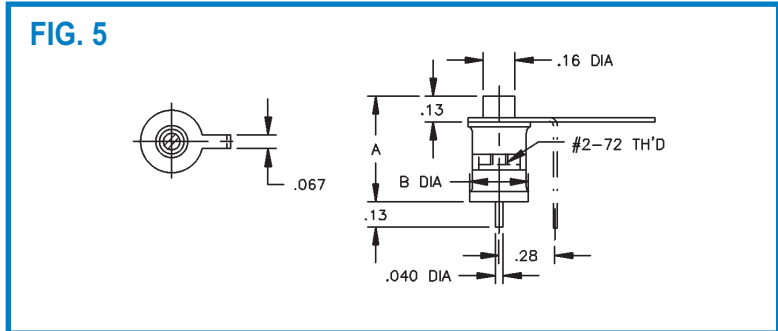
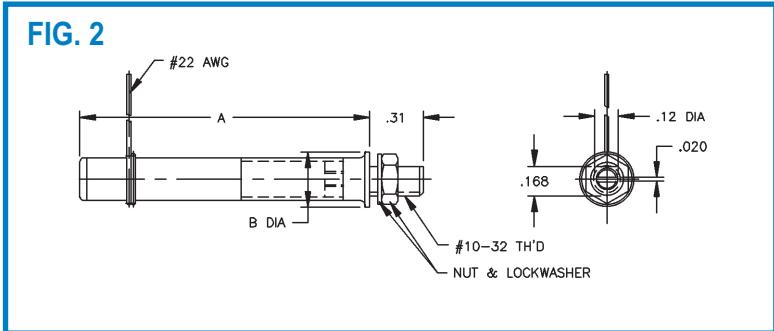
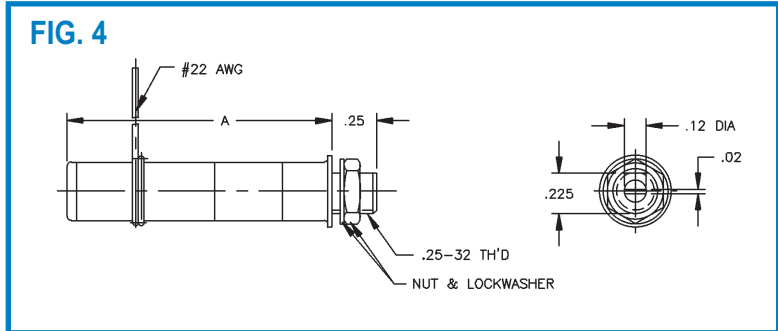
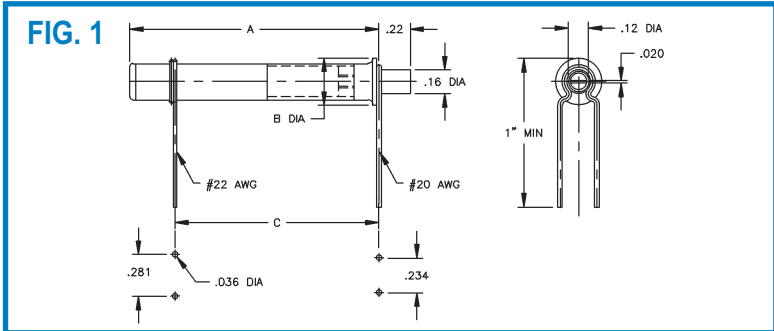
Email & Skype: info@chipsmall.com Web: www.chipsmall.com

Address: A1208, Overseas Decoration Building, #122 Zhenhua RD., Futian, Shenzhen, China



GLASS, QUARTZ & SAPPHIRE Non-magnetic Trimmer Capacitors

Part Number	Capacitance (pF)		Q (Min) 100 MHz.	DC Working Voltage	DC Withstanding Voltage	Dielectric	Fig.	"A" Dim. ± .016	"B" Dim. ± .016	"C" Dim. ± .06	Ex. Shaft Option
	From Below	To Above									
NMTF16AR	1.5	16	800	1000	2000	GLASS	5	0.67	0.31		NA
NMTM38G	0.8	38	800	1250	2500	GLASS	2	1.66	0.31		Fig. A
NMTP38G	0.8	38	800	1250	2500	GLASS	1	1.67	0.31	1.38	Fig. C
NMTP60C	1.0	60	650	1000	2000	GLASS	1	1.16	0.31	1.13	Fig. C
NMHTM64C	2.0	64	700	125	250	GLASS	3	0.63	0.31		Fig. D
NMTP75C	3.0	75	700	1000	2000	GLASS	1	1.16	0.31	1.13	Fig. C
NMTM75C	3.0	75	700	1000	2000	GLASS	3	1.17	0.31		Fig. D
NMTM120C	2.0	120	600	1000	2000	GLASS	3	1.76	0.31		Fig. D
NMQM3G	0.5	3.5	9000	1250	2500	QUARTZ	2	0.63	0.31		Fig. A
NMQM6G	1.0	6	9000	1250	2500	QUARTZ	2	0.63	0.31		Fig. A
NMQM10G	0.6	9.5	9000	1250	2500	QUARTZ	2	1.06	0.31		Fig. A
NMQM12G	1.0	12	9000	1250	2500	QUARTZ	4	1.45	0.45		Fig. B
NMQM22G	1.0	22	9000	1250	2500	QUARTZ	2	1.67	0.31		Fig. A
NMQM24G	7.5	24	7000	1250	2500	QUARTZ	4	1.48	0.40		Fig. B
NMP40M	2.0	40	3000	500	1000	SAPPHIRE	2	1.30	0.31		Fig. A



SAPPHIRE

Non-magnetic Trimmer Capacitors

FIG. 1

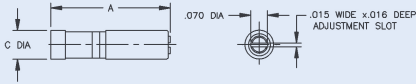
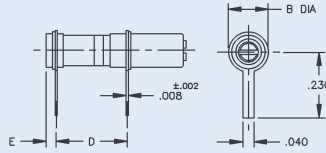


FIG. 2



Optional Configurations

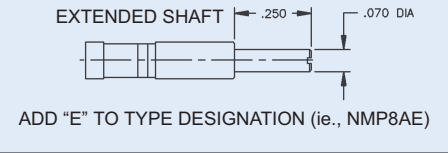


FIG. 3

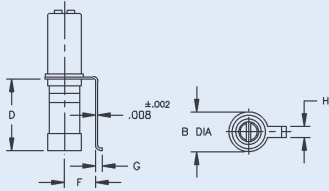


FIG. 4

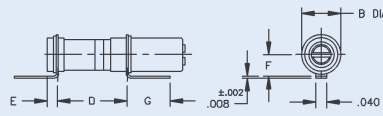
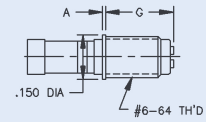


FIG. 5



IN 0.002 0.005 0.008 0.010 0.014 0.015 0.018 0.020 0.025 0.034 0.036 0.040 0.045 0.047 0.056 0.060 0.070 0.075 0.082 0.090 0.093 0.094 0.100 0.110 0.118 0.125 0.130 0.140 0.148 0.150 0.160 0.183 0.190 0.230 0.240 0.245 0.250 0.329 0.495
MM 0.05 0.13 0.20 0.25 0.36 0.38 0.46 0.51 0.64 0.86 0.91 1.02 1.14 1.19 1.42 1.52 1.78 1.91 2.08 2.29 2.36 2.39 2.54 2.79 3.00 3.18 3.30 3.56 3.76 3.81 4.06 4.65 4.83 5.84 6.10 6.22 6.35 8.36 12.57

Type	Fig.	Capacitance Range (pF)		Q (Min.) 250 MHz	Tolerances (where not specified) ± .016							
		From Below	To Above		A (max)	B DIA.	C± .005	D± .010	E± .010	F	G	H± .005
NMP3A	1	0.6	2.5	4,000	.240	-	.118	-	-	-	-	-
NMP5A	1	0.6	4.5	3,000	.329	-	.118	-	-	-	-	-
NMP8A	1	0.8	7.0	1,500	.495	-	.118	-	-	-	-	-
NMP12A	1	1.0	12.0	1,500	.495	-	.118	-	-	-	-	-
NMP3B	2	0.6	2.5	4,000	.240	.140	.118	.082	.014	-	-	-
NMP5B	2	0.6	4.5	3,000	.329	.140	.118	.130	.034	-	-	-
NMP8B	2	0.8	7.0	1,500	.495	.140	.118	.250	.036	-	-	-
NMP12B	2	1.0	12.0	1,500	.495	.140	.118	.250	.036	-	-	-
NMP3F	3	0.6	2.5	4,000	.240	.140	.118	.090	-	.110	.025	.04
NMP5F	3	0.6	4.5	3,000	.329	.140	.118	.160	-	.110	.025	.04
NMP8F	3	0.8	7.0	1,500	.495	.140	.118	.250	-	.110	.025	.04
NMP12F	3	1.0	12.0	1,500	.495	.140	.118	.250	-	.110	.025	.04
NMP3J	4	0.6	2.5	4,000	.240	.140	.118	.082	.014	.070	.160	-
NMP5J	4	0.6	4.5	3,000	.329	.140	.118	.130	.034	.070	.160	-
NMP8J	4	0.8	7.0	1,500	.495	.140	.118	.250	.036	.070	.160	-
NMP12J	4	1.0	12.0	1,500	.495	.140	.118	.250	.036	.087	.125	-
NMP3M	5	0.6	2.5	4,000	.240	-	.118	-	-	-	.125	-
NMP5M	5	0.6	4.5	3,000	.329	-	.118	-	-	-	.160	-
NMP8M	5	0.8	7.0	1,500	.495	-	.118	-	-	-	.230	-

NOTE: For diameter and length dimensions on figures 2-5, see figure 1.