



Chipsmall Limited consists of a professional team with an average of over 10 year of expertise in the distribution of electronic components. Based in Hongkong, we have already established firm and mutual-benefit business relationships with customers from,Europe,America and south Asia,supplying obsolete and hard-to-find components to meet their specific needs.

With the principle of "Quality Parts,Customers Priority,Honest Operation,and Considerate Service",our business mainly focus on the distribution of electronic components. Line cards we deal with include Microchip,ALPS,ROHM,Xilinx,Pulse,ON,Everlight and Freescale. Main products comprise IC,Modules,Potentiometer,IC Socket,Relay,Connector.Our parts cover such applications as commercial,industrial, and automotives areas.

We are looking forward to setting up business relationship with you and hope to provide you with the best service and solution. Let us make a better world for our industry!



Contact us

Tel: +86-755-8981 8866 Fax: +86-755-8427 6832

Email & Skype: info@chipsmall.com Web: www.chipsmall.com

Address: A1208, Overseas Decoration Building, #122 Zhenhua RD., Futian, Shenzhen, China

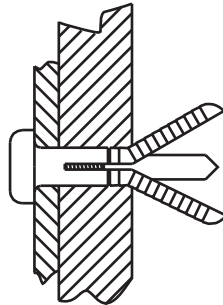


| PANDUIT PART NUMBER | WEIGHT |
|---------------------|-----------------------------------|
| NNA1-C | .44 LB/100 PCS (195 g/100 PCS) |

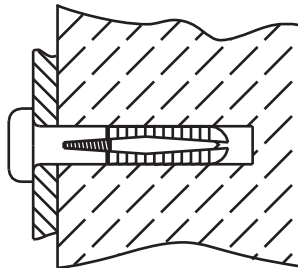
TYPE OF INSTALLATIONS



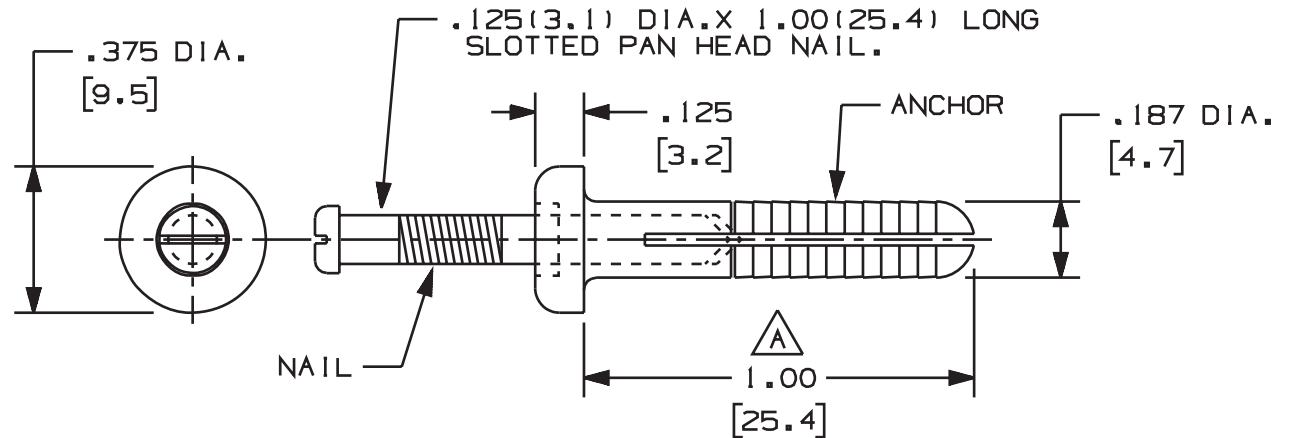
FULL SIZE



HOLLOW MATERIAL



SOLID MATERIAL



NOTES:

1. SEE CURRENT CATALOG FOR ADDITIONAL PART NUMBER SUFFIXES TO INDICATE COLOR AND OR PACKAGE QUANTITY.
2. RECOMMENDED HOLE SIZE .188(4.8) DIA. X 1.00(25.4) DEEP.
3. DIMENSIONS IN PARENTHESIS ARE IN METRIC.

CAD FILENAME/LAYERS D34518_NNA1-C_CO1 (D)

PANDUIT CORP. TINLEY PARK, ILLINOIS
NYLON NAIL ANCHOR (NNA1-C)
 CUSTOMER DRAWING

UNLESS OTHERWISE SPECIFIED, DIMENSIONAL TOLERANCES ARE:
 (.X) ± (.XXX) ± .020(.51)
 (.XX) ± .040(1.01) ANGLES ±

UNLESS OTHERWISE SPECIFIED, ALL DIMENSIONS ARE GIVEN IN INCHES, THIRD ANGLE PROJECTION.

DRAWN BY CHAVEZ
 DATE 9/4/85
 CHK'D HVP

MAT'L: NYLON/STEEL

SCALE NONE

DRAWING NO. SS-20027

DWG SIZE A

| REV | DATE | BY | CHK | DESCRIPTION | ECN | R | CUST | SUP |
|-----|---------|-----|-----|---|----------|---|------|-----|
| 2 | 1-11-94 | DW | CEF | B. REVISED TOLERANCE WAS .02(.5). REVISED AND REDRAWN ON CAD. | SS-20027 | | CEF | CEF |
| 1 | 1/21/86 | CEW | HVP | A. 1.00(25.4) WAS 1.00(9.5). | SS-20027 | | HVP | |
| R | 9/4/85 | JC | HVP | DRAWING RELEASED | SS-20027 | | | |