



Chipsmall Limited consists of a professional team with an average of over 10 year of expertise in the distribution of electronic components. Based in Hongkong, we have already established firm and mutual-benefit business relationships with customers from,Europe,America and south Asia,supplying obsolete and hard-to-find components to meet their specific needs.

With the principle of “Quality Parts,Customers Priority,Honest Operation,and Considerate Service”,our business mainly focus on the distribution of electronic components. Line cards we deal with include Microchip,ALPS,ROHM,Xilinx,Pulse,ON,Everlight and Freescale. Main products comprise IC,Modules,Potentiometer,IC Socket,Relay,Connector.Our parts cover such applications as commercial,industrial, and automotives areas.

We are looking forward to setting up business relationship with you and hope to provide you with the best service and solution. Let us make a better world for our industry!



## Contact us

Tel: +86-755-8981 8866 Fax: +86-755-8427 6832

Email & Skype: info@chipsmall.com Web: www.chipsmall.com

Address: A1208, Overseas Decoration Building, #122 Zhenhua RD., Futian, Shenzhen, China



| POSITIONS/<br>CONTACTS | A     |       | B     |        | C     |       |
|------------------------|-------|-------|-------|--------|-------|-------|
|                        | INCH  | MM    | INCH  | MM     | INCH  | MM    |
| 02/04                  | 0.100 | 2.54  | 0.220 | 5.58   | N/A   | N/A   |
| 03/06                  | 0.200 | 5.08  | 0.320 | 8.12   | 0.100 | 2.54  |
| 04/08                  | 0.300 | 7.62  | 0.420 | 10.66  | 0.200 | 5.08  |
| 05/10                  | 0.400 | 10.16 | 0.520 | 13.20  | 0.300 | 7.62  |
| 06/12                  | 0.500 | 12.70 | 0.620 | 15.74  | 0.400 | 10.16 |
| 07/14                  | 0.600 | 15.24 | 0.720 | 18.28  | 0.500 | 12.70 |
| 08/16                  | 0.700 | 17.78 | 0.820 | 20.82  | 0.600 | 15.24 |
| 09/18                  | 0.800 | 20.32 | 0.920 | 23.36  | 0.700 | 17.78 |
| 10/20                  | 0.900 | 22.86 | 1.020 | 25.90  | 0.800 | 20.32 |
| 11/22                  | 1.000 | 25.40 | 1.120 | 28.44  | 0.900 | 22.86 |
| 12/24                  | 1.100 | 27.94 | 1.220 | 30.98  | 1.000 | 25.40 |
| 13/26                  | 1.200 | 30.48 | 1.320 | 33.52  | 1.100 | 27.94 |
| 14/28                  | 1.300 | 33.02 | 1.420 | 36.06  | 1.200 | 30.48 |
| 15/30                  | 1.400 | 35.56 | 1.520 | 38.60  | 1.300 | 33.02 |
| 16/32                  | 1.500 | 38.10 | 1.620 | 41.14  | 1.400 | 35.56 |
| 17/34                  | 1.600 | 40.64 | 1.720 | 43.68  | 1.500 | 38.10 |
| 18/36                  | 1.700 | 43.18 | 1.820 | 46.22  | 1.600 | 40.64 |
| 19/38                  | 1.800 | 45.72 | 1.920 | 48.76  | 1.700 | 43.18 |
| 20/40                  | 1.900 | 48.26 | 2.020 | 51.30  | 1.800 | 45.72 |
| 21/42                  | 2.000 | 50.80 | 2.120 | 53.84  | 1.900 | 48.26 |
| 22/44                  | 2.100 | 53.34 | 2.220 | 56.38  | 2.000 | 50.80 |
| 23/46                  | 2.200 | 55.88 | 2.320 | 58.92  | 2.100 | 53.34 |
| 24/48                  | 2.300 | 58.42 | 2.420 | 61.46  | 2.200 | 55.88 |
| 25/50                  | 2.400 | 60.96 | 2.520 | 64.00  | 2.300 | 58.42 |
| 26/52                  | 2.500 | 63.50 | 2.620 | 66.54  | 2.400 | 60.96 |
| 27/54                  | 2.600 | 66.04 | 2.720 | 69.08  | 2.500 | 63.50 |
| 28/56                  | 2.700 | 68.58 | 2.820 | 71.62  | 2.600 | 66.04 |
| 29/58                  | 2.800 | 71.12 | 2.920 | 74.16  | 2.700 | 68.58 |
| 30/60                  | 2.900 | 73.66 | 3.020 | 76.70  | 2.800 | 71.12 |
| 31/62                  | 3.000 | 76.20 | 3.120 | 79.24  | 2.900 | 73.66 |
| 32/64                  | 3.100 | 78.74 | 3.220 | 81.78  | 3.000 | 76.20 |
| 33/66                  | 3.200 | 81.28 | 3.320 | 84.32  | 3.100 | 78.74 |
| 34/68                  | 3.300 | 83.82 | 3.420 | 86.86  | 3.200 | 81.28 |
| 35/70                  | 3.400 | 86.36 | 3.520 | 89.40  | 3.300 | 83.82 |
| 36/72                  | 3.500 | 88.90 | 3.620 | 91.94  | 3.400 | 86.36 |
| 37/74                  | 3.600 | 91.44 | 3.720 | 94.48  | 3.500 | 88.90 |
| 38/76                  | 3.700 | 93.98 | 3.820 | 97.02  | 3.600 | 91.44 |
| 39/78                  | 3.800 | 96.52 | 3.920 | 99.56  | 3.700 | 93.98 |
| 40/80                  | 3.900 | 99.06 | 4.020 | 102.10 | 3.800 | 96.52 |

**PART NUMBER CODING**

xPxCxx2KFMx-RC

**TERMINATION TYPES**

P = SURFACE MOUNT W/ GUIDE POSTS  
S = SURFACE MOUNT W/O GUIDE POSTS

**NUMBER OF POSITIONS**  
(CONTACTS PER ROW, 02 THRU 40)

**PLATING**

(.000030" ~ .000050" NICKEL UNDERPLATED)

P = GOLD FLASH OVERALL

G = .000010" GOLD ON CONTACT SURFACE,  
GOLD FLASH ON TERMINATION

Y = .000030" GOLD ON CONTACT SURFACE,  
GOLD FLASH ON TERMINATION

T = TIN OVERALL

C = .000030" GOLD ON CONTACT SURFACE,  
.000100" TIN ON TERMINATION

B = .000010" GOLD ON CONTACT SURFACE,  
.000100" TIN ON TERMINATION

**INSULATOR MATERIAL**

N = NYLON 6T

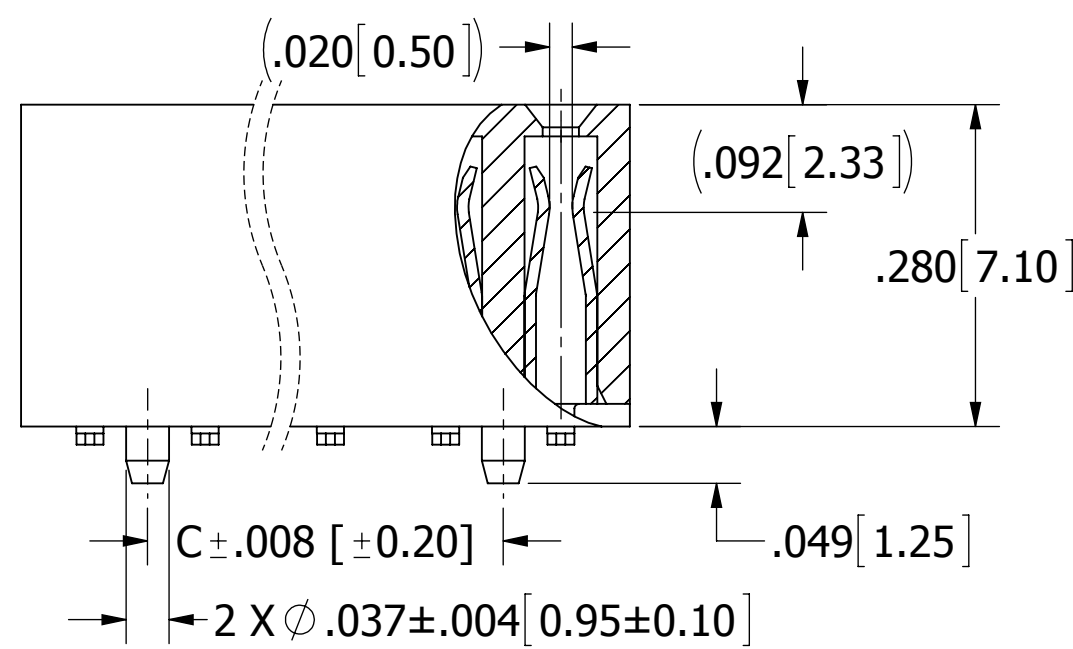
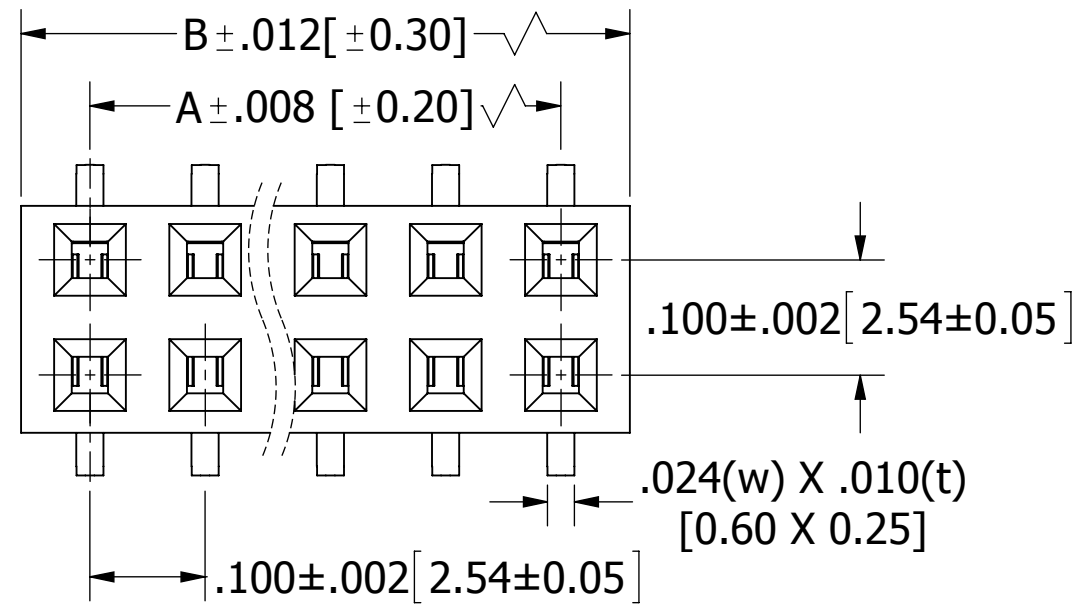
OPERATING TEMPERATURE: -40°C TO +105°C

PROCESSING TEMP: WAVE / MANUAL SOLDERING

L = LCP

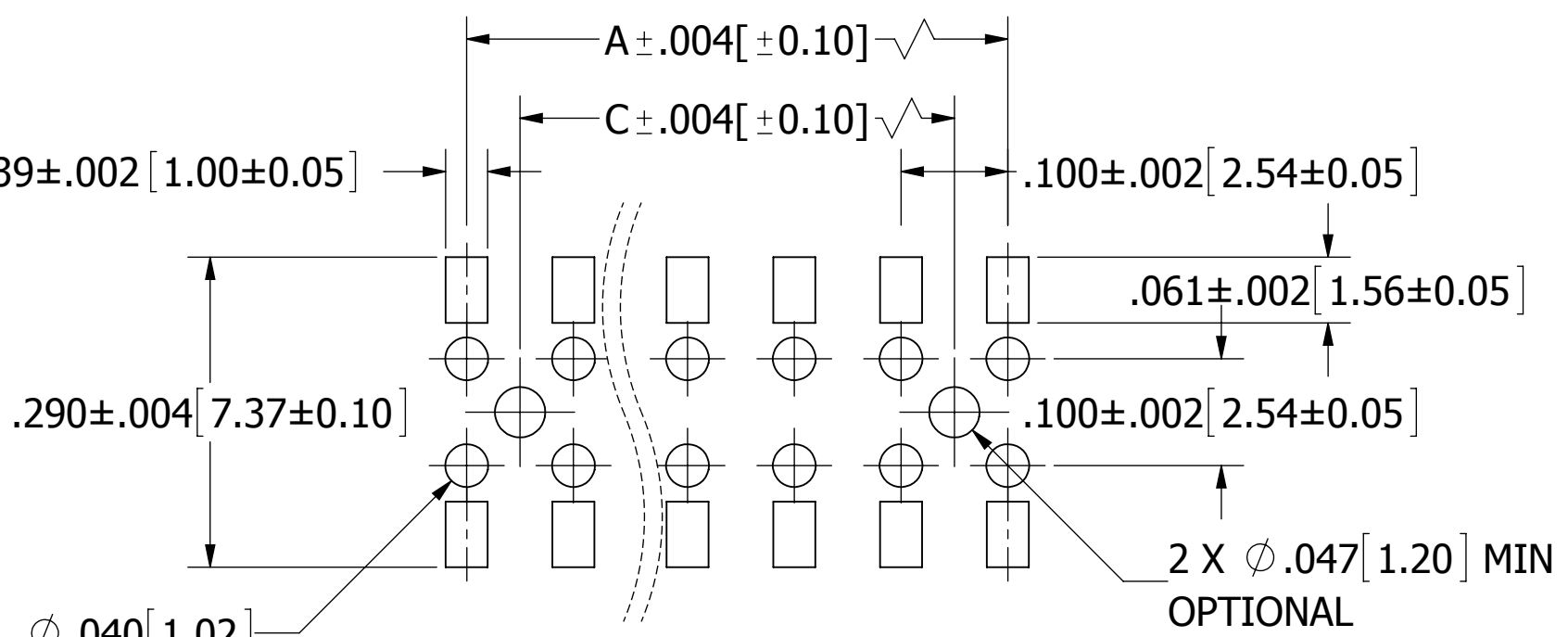
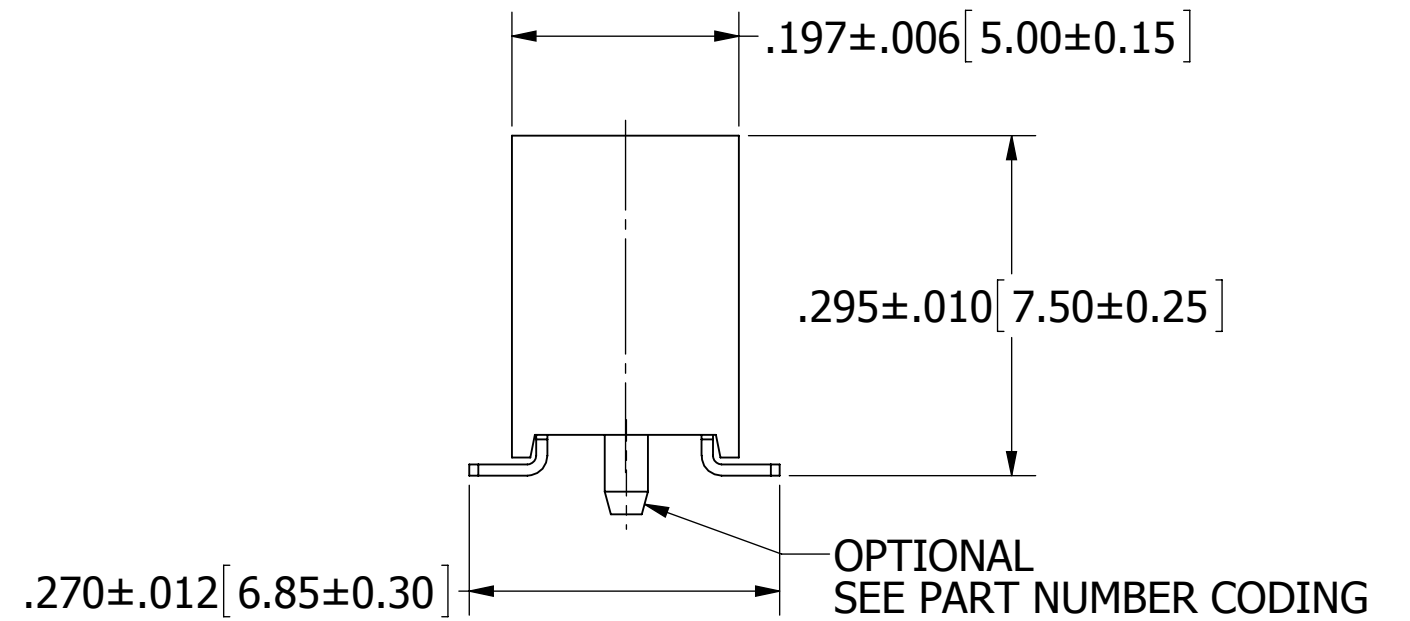
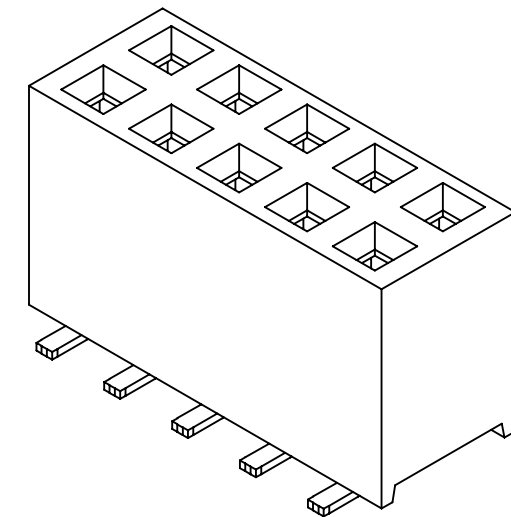
OPERATING TEMPERATURE: -40°C TO +125°C

PROCESSING TEMP: 260°C MAX FOR 10 SECONDS



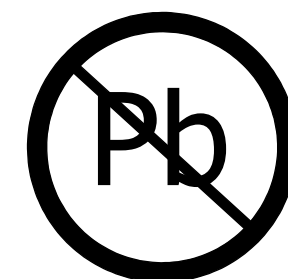
02-20, 0.20mm MAX.  
21-30, 0.30mm MAX.  
31-40, 0.40mm MAX.

| REVISIONS |         |  |            |    |
|-----------|---------|--|------------|----|
| REV.      | ECO. NO | DESCRIPTION  | DATE       | BY |
| J         | 2604    | ADD PLATING "B", UPDATE INSULATOR HEIGHT 7.1mm(WAS 7.2mm), GUIDE POST TOLERANCE & PCB LAYOUT RECOMMENDED | 06/06/2012 | LH |
| K         | 2818    | UPDATE PCB LAYOUT(TOP/BOTTOM ENTRY)  | 09/03/2013 | LH |
| L         | 2829    | ADD INSULATOR MATERIAL 'LCP' OPTION  | 12/10/2014 | LH |



**RECOMMENDED PCB LAYOUT**

- NOTES:**
- INSULATOR MATERIAL: SEE PART NUMBER CODING, UL 94V-0
  - CONTACT MATERIAL: PHOSPHOR BRONZE
  - CONTACT PLATING: SEE PART NUMBER CODING
  - CURRENT RATING: 3 AMPS
  - VOLTAGE RATING: 250V AC/DC
  - INSULATOR RESISTANCE: 5000 MEGOHMS MIN
  - CONTACT RESISTANCE: 20 MILLIOHMS MAX
  - DIELECTRIC WITHSTANDING: 500 VAC
  - OPERATING TEMPERATURE: SEE PART NUMBER CODING
  - PROCESSING TEMP.: SEE PART NUMBER CODING
  - MATES WITH SULLINS .100 [2.54] CONTACT CENTER MALE HEADER SERIES (.025 [0.64] SQUARE POSTS)



RoHS COMPLIANT

|  |                           |  |                 |                          |  |
|--|---------------------------|--|-----------------|--------------------------|--|
| UNLESS OTHERWISE SPECIFIED:<br>DIMENSIONS ARE IN INCHES [MM]   |                           | DRAWN<br>12/04/2008  | DATE<br>JH      | NAME                     |  |
| TOLERANCES:<br>ANGULAR: ± 5°<br>DECIMALS<br>.X = ± .012 [3]<br>.XX = ± .008 [20]<br>.XXX = ± .006 [15] |                           | THE INFORMATION HEREIN CONTAINS PROPRIETARY INFORMATION OF SULLINS ELECTRONICS AND IS NOT TO BE REPRODUCED, USED OR DISCLOSED TO OTHERS FOR ANY PURPOSE EXCEPT AS SPECIFICALLY AUTHORIZED IN WRITING BY AN OFFICER OF SULLINS ELECTRONICS. |                 |                          |  |
| SIZE<br><b>C</b>   | CAGE CODE<br><b>54453</b> | DWG. NO.<br><b>10488</b>   | REV<br><b>L</b> | SCALE: 12:1 SHEET 1 OF 1 |  |