



Chipsmall Limited consists of a professional team with an average of over 10 year of expertise in the distribution of electronic components. Based in Hongkong, we have already established firm and mutual-benefit business relationships with customers from,Europe,America and south Asia,supplying obsolete and hard-to-find components to meet their specific needs.

With the principle of “Quality Parts,Customers Priority,Honest Operation,and Considerate Service”,our business mainly focus on the distribution of electronic components. Line cards we deal with include Microchip,ALPS,ROHM,Xilinx,Pulse,ON,Everlight and Freescale. Main products comprise IC,Modules,Potentiometer,IC Socket,Relay,Connector.Our parts cover such applications as commercial,industrial, and automotives areas.

We are looking forward to setting up business relationship with you and hope to provide you with the best service and solution. Let us make a better world for our industry!



## Contact us

Tel: +86-755-8981 8866 Fax: +86-755-8427 6832

Email & Skype: info@chipsmall.com Web: www.chipsmall.com

Address: A1208, Overseas Decoration Building, #122 Zhenhua RD., Futian, Shenzhen, China



POSITIONS/ CONTACTS	A		B		C	
	INCH	MM	INCH	MM	INCH	MM
02/04	0.079	2.00	0.157	4.00	N/A	N/A
03/06	0.157	4.00	0.236	6.00	0.079	2.00
04/08	0.236	6.00	0.315	8.00	0.157	4.00
05/10	0.315	8.00	0.394	10.00	0.236	6.00
06/12	0.394	10.00	0.472	12.00	0.315	8.00
07/14	0.472	12.00	0.551	14.00	0.394	10.00
08/16	0.551	14.00	0.630	16.00	0.472	12.00
09/18	0.630	16.00	0.709	18.00	0.551	14.00
10/20	0.709	18.00	0.787	20.00	0.630	16.00
11/22	0.787	20.00	0.866	22.00	0.709	18.00
12/24	0.866	22.00	0.945	24.00	0.787	20.00
13/26	0.945	24.00	1.024	26.00	0.866	22.00
14/28	1.024	26.00	1.102	28.00	0.945	24.00
15/30	1.102	28.00	1.181	30.00	1.024	26.00
16/32	1.181	30.00	1.260	32.00	1.102	28.00
17/34	1.260	32.00	1.339	34.00	1.181	30.00
18/36	1.339	34.00	1.417	36.00	1.260	32.00
19/38	1.417	36.00	1.496	38.00	1.339	34.00
20/40	1.496	38.00	1.575	40.00	1.417	36.00
21/42	1.575	40.00	1.654	42.00	1.496	38.00
22/44	1.654	42.00	1.732	44.00	1.575	40.00
23/46	1.732	44.00	1.811	46.00	1.654	42.00
24/48	1.811	46.00	1.890	48.00	1.732	44.00
25/50	1.890	48.00	1.969	50.00	1.811	46.00
26/52	1.969	50.00	2.047	52.00	1.890	48.00
27/54	2.047	52.00	2.126	54.00	1.969	50.00
28/56	2.126	54.00	2.205	56.00	2.047	52.00
29/58	2.205	56.00	2.283	58.00	2.126	54.00
30/60	2.283	58.00	2.362	60.00	2.205	56.00
31/62	2.362	60.00	2.441	62.00	2.283	58.00
32/64	2.441	62.00	2.520	64.00	2.362	60.00
33/66	2.520	64.00	2.598	66.00	2.441	62.00
34/68	2.598	66.00	2.677	68.00	2.520	64.00
35/70	2.677	68.00	2.756	70.00	2.598	66.00
36/72	2.756	70.00	2.835	72.00	2.677	68.00
37/74	2.835	72.00	2.913	74.00	2.756	70.00
38/76	2.913	74.00	2.992	76.00	2.835	72.00
39/78	2.992	76.00	3.071	78.00	2.913	74.00
40/80	3.071	78.00	3.150	80.00	2.992	76.00

### PART NUMBER CODING

**xPPNxx2FFKx-RC**

#### TERMINATION TYPES

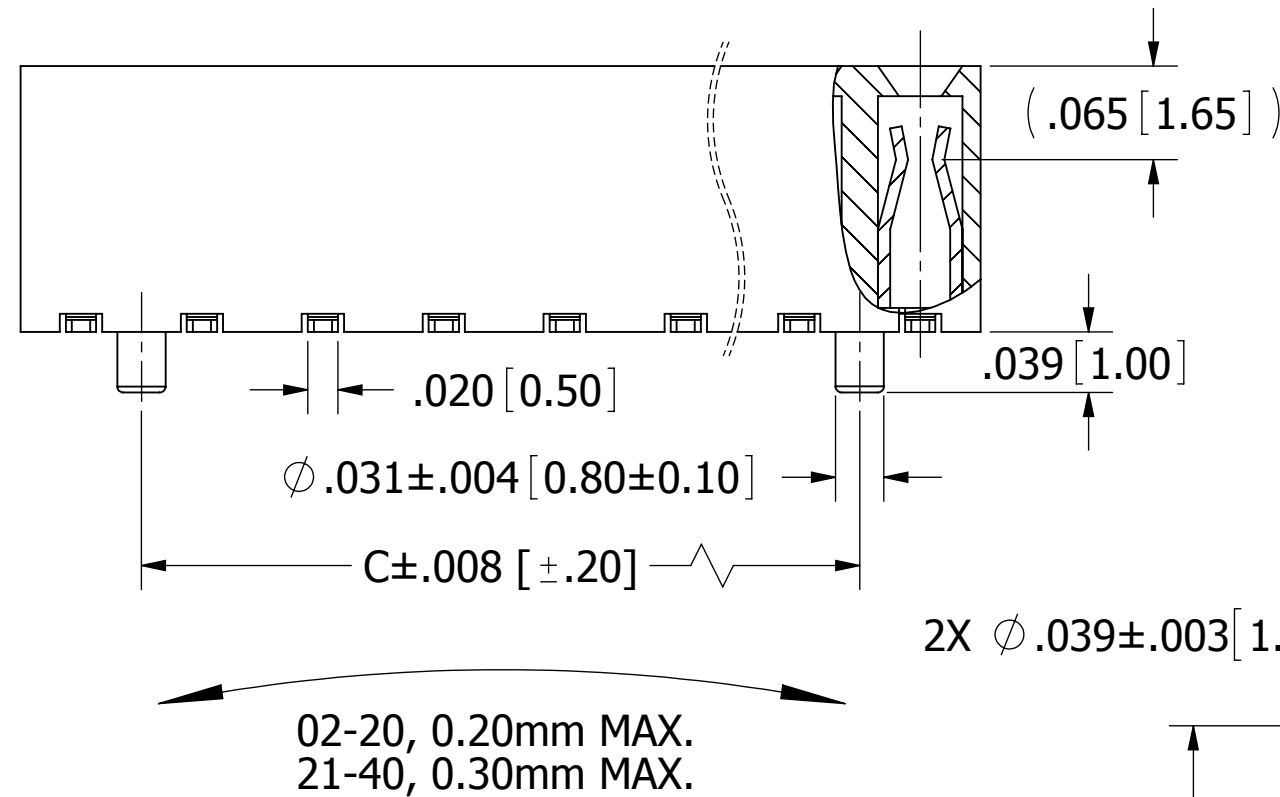
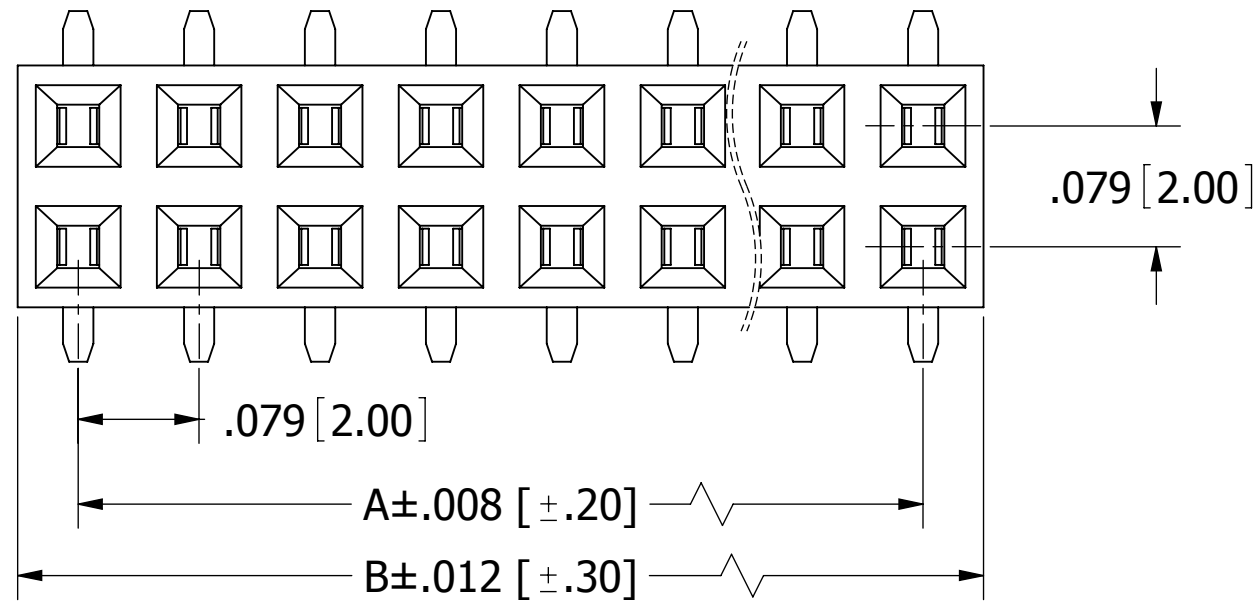
P = SURFACE MOUNT W/ GUIDE POSTS  
S = SURFACE MOUNT W/O GUIDE POSTS

#### NUMBER OF POSITIONS

(CONTACTS PER ROW, 02 THRU 40)

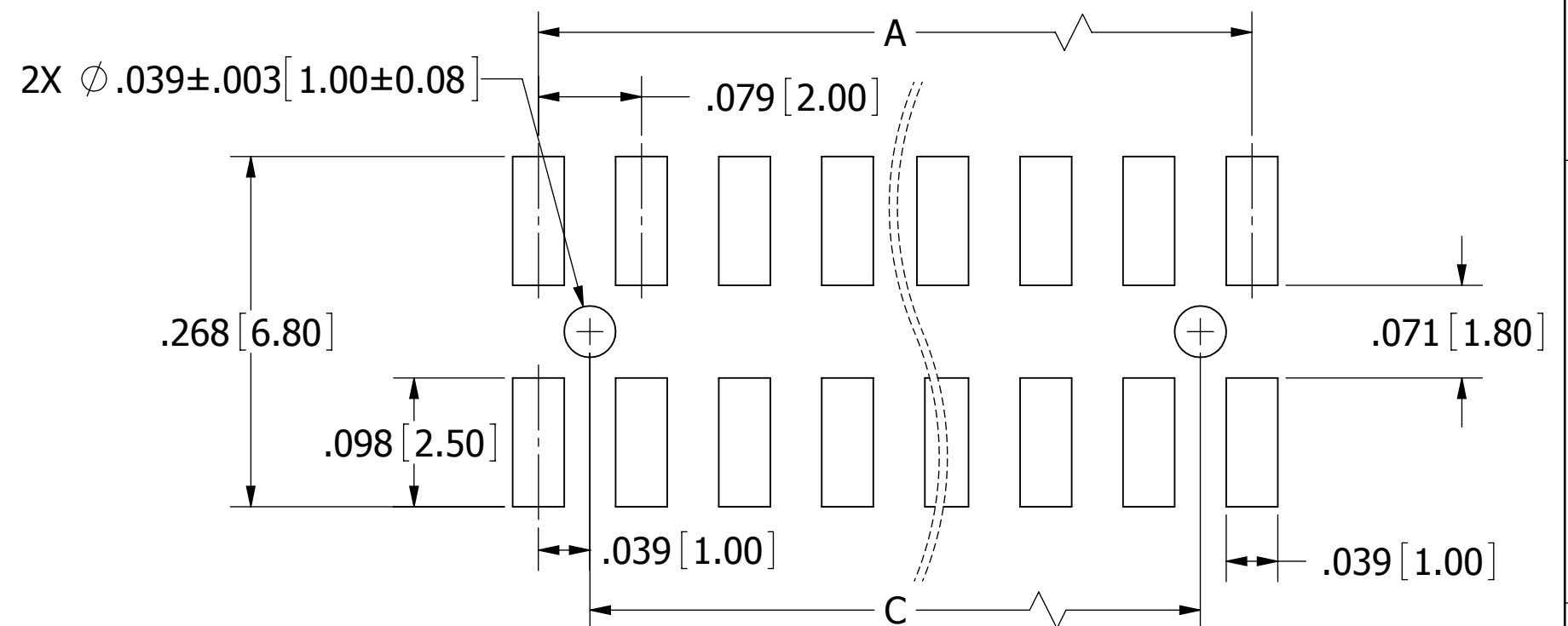
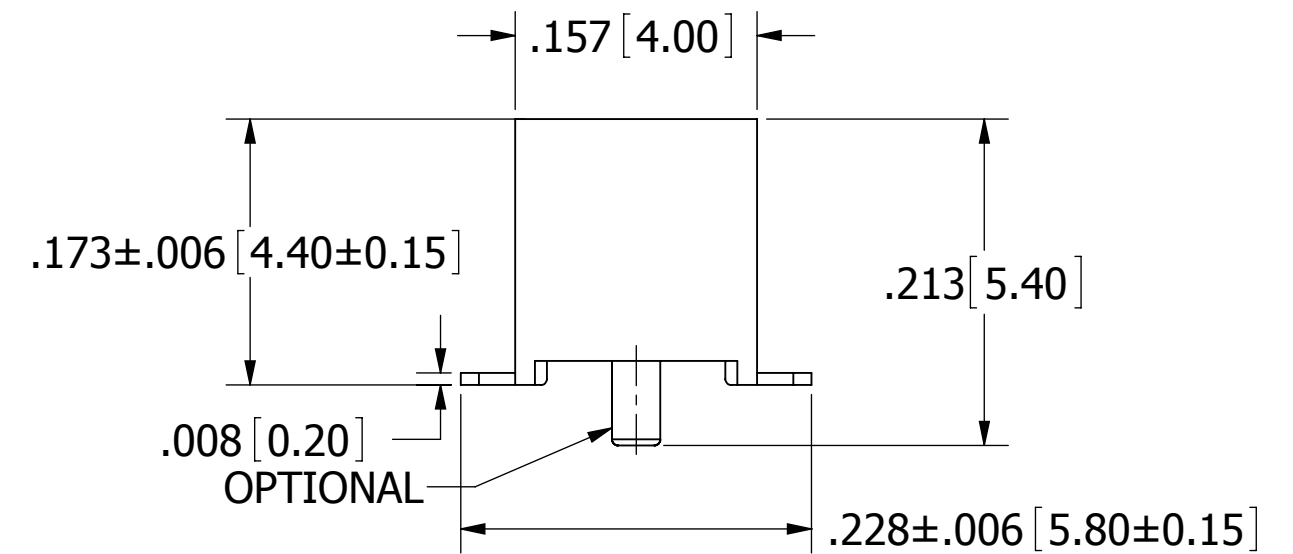
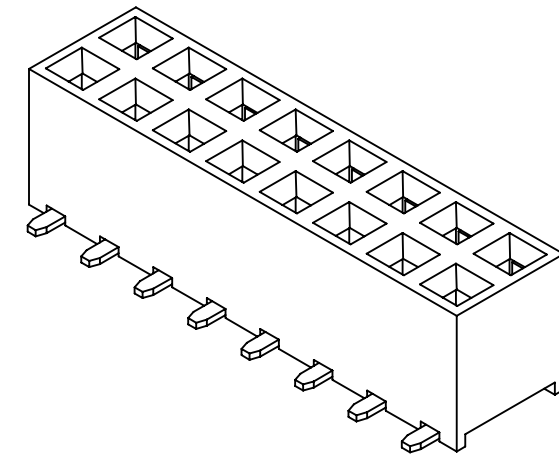
#### INSULATOR MATERIAL

N = NYLON 9T  
OPERATING TEMPERATURE: -40° C TO +105° C  
PROCESSING TEMP: 260°C MAX FOR 10 SECONDS  
L = LCP  
OPERATING TEMPERATURE: -40° C TO +125° C  
PROCESSING TEMP: 260°C MAX FOR 10 SECONDS



02-20, 0.20mm MAX.  
21-40, 0.30mm MAX.

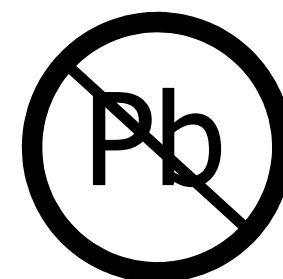
REVISIONS				
REV.	ECO. NO	DESCRIPTION	DATE	BY
H	2631	ADD TOLERANCE FOR GUIDE POST & PCB HOLE FOR GUIDE POSTS	7/19/2012	JH
J	2829	ADD INSULATOR MATERIAL 'LCP' OPTION, UPGRADE NYLON 6T TO NYLON 9T	09/11/2014	LH/JHSU



#### RECOMMENDED PCB SMT LAYOUT

#### NOTES:

- INSULATOR MATERIAL: SEE PART NUMBER CODING, UL 94V-0, COLOR: BLACK
- CONTACT MATERIAL: PHOSPHOR BRONZE
- CONTACT PLATING: .000030" - .000050" NICKEL UNDERPLATING, GOLD FLASH OVERALL
- CURRENT RATING: 2 AMPS
- INSULATOR RESISTANCE: 5000 MEGOHMS MIN
- CONTACT RESISTANCE: 20 MILLIOHMS MAX
- DIELECTRIC WITHSTANDING: 500 VAC
- OPERATING TEMPERATURE: SEE PART NUMBER CODING
- PROCESSING TEMP.: SEE PART NUMBER CODING
- MATES WITH SULLINS .079 [2.00] CONTACT CENTER MALE HEADER SERIES (.020 [0.50] SQUARE POSTS)



RoHS COMPLIANT

UNLESS OTHERWISE SPECIFIED: DIMENSIONS ARE IN INCHES [MM]	DRAWN	DATE	NAME	
		01/12/2009	JH	
TOLERANCES:  ANGULAR:  DECIMALS .XX=± .01 [3] .XXX=± .008 [20] .XXXX=± .0040 [100]	THE INFORMATION HEREIN CONTAINS PROPRIETARY INFORMATION OF SULLINS ELECTRONICS AND IS NOT TO BE REPRODUCED, USED OR DISCLOSED TO OTHERS FOR ANY PURPOSE EXCEPT AS SPECIFICALLY AUTHORIZED IN WRITING BY AN OFFICER OF SULLINS ELECTRONICS.			TITLE
				HEADER, FEMALE 2mm CC, 2 ROWS, SMT PART NUMBER
			xPPNxx2FFKx-RC	REV
			SIZE C 54453	DWG. NO. 10485
			SCALE: 8:1	SHEET 1 OF 1