



Chipsmall Limited consists of a professional team with an average of over 10 year of expertise in the distribution of electronic components. Based in Hongkong, we have already established firm and mutual-benefit business relationships with customers from,Europe,America and south Asia,supplying obsolete and hard-to-find components to meet their specific needs.

With the principle of “Quality Parts,Customers Priority,Honest Operation,and Considerate Service”,our business mainly focus on the distribution of electronic components. Line cards we deal with include Microchip,ALPS,ROHM,Xilinx,Pulse,ON,Everlight and Freescale. Main products comprise IC,Modules,Potentiometer,IC Socket,Relay,Connector.Our parts cover such applications as commercial,industrial, and automotives areas.

We are looking forward to setting up business relationship with you and hope to provide you with the best service and solution. Let us make a better world for our industry!



Contact us

Tel: +86-755-8981 8866 Fax: +86-755-8427 6832

Email & Skype: info@chipsmall.com Web: www.chipsmall.com

Address: A1208, Overseas Decoration Building, #122 Zhenhua RD., Futian, Shenzhen, China



POSITIONS/ CONTACTS	A		B	
	INCH	MM	INCH	MM
02/02	0.100	2.54	0.208	5.28
03/03	0.200	5.08	0.308	7.82
04/04	0.300	7.62	0.408	10.36
05/05	0.400	10.16	0.508	12.90
06/06	0.500	12.70	0.608	15.44
07/07	0.600	15.24	0.708	17.98
08/08	0.700	17.78	0.808	20.52
09/09	0.800	20.32	0.908	23.06
10/10	0.900	22.86	1.008	25.60
11/11	1.000	25.40	1.108	28.14
12/12	1.100	27.94	1.208	30.68
13/13	1.200	30.48	1.308	33.22
14/14	1.300	33.02	1.408	35.76
15/15	1.400	35.56	1.508	38.30
16/16	1.500	38.10	1.608	40.84
17/17	1.600	40.64	1.708	43.38
18/18	1.700	43.18	1.808	45.92
19/19	1.800	45.72	1.908	48.46
20/20	1.900	48.26	2.008	51.00
21/21	2.000	50.80	2.108	53.54
22/22	2.100	53.34	2.208	56.08
23/23	2.200	55.88	2.308	58.62
24/24	2.300	58.42	2.408	61.16
25/25	2.400	60.96	2.508	63.70
26/26	2.500	63.50	2.608	66.24
27/27	2.600	66.04	2.708	68.78
28/28	2.700	68.58	2.808	71.32
29/29	2.800	71.12	2.908	73.86
30/30	2.900	73.66	3.008	76.40
31/31	3.000	76.20	3.108	78.94
32/32	3.100	78.74	3.208	81.48
33/33	3.200	81.28	3.308	84.02
34/34	3.300	83.82	3.408	86.56
35/35	3.400	86.36	3.508	89.10
36/36	3.500	88.90	3.608	91.64
37/37	3.600	91.44	3.708	94.18
38/38	3.700	93.98	3.808	96.72
39/39	3.800	96.52	3.908	99.26
40/40	3.900	99.06	4.008	101.80

PART NUMBER CODING

NPxCxx1KFXx-RC

MOUNTING STYLES

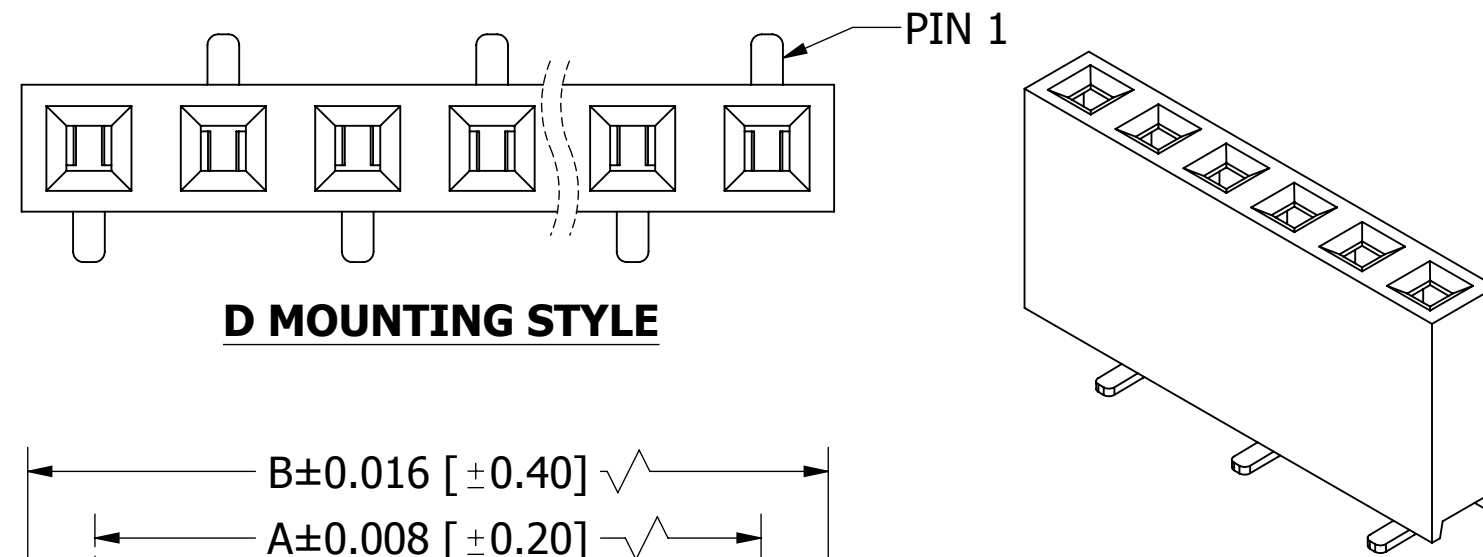
C = SMT, SINGLE ROW, PIN 1 LEFT
D = SMT, SINGLE ROW, PIN 1 RIGHT

NUMBER OF POSITIONS

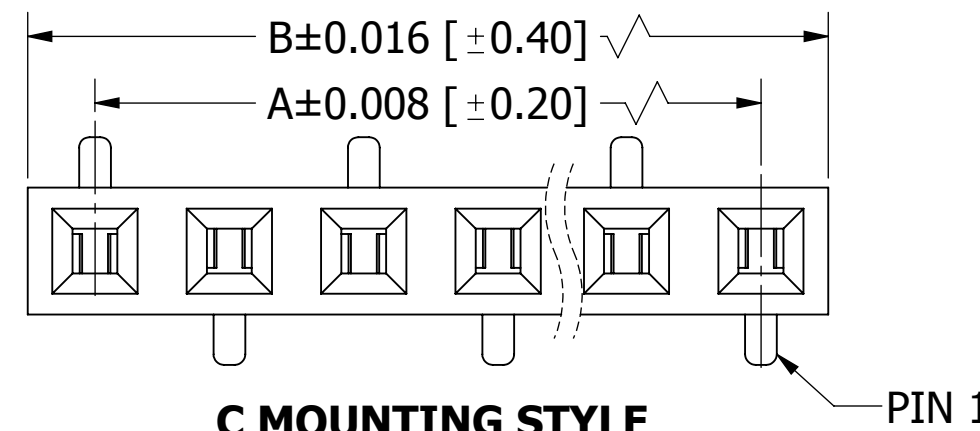
(CONTACTS PER ROW, 2 THRU 40)

PLATING

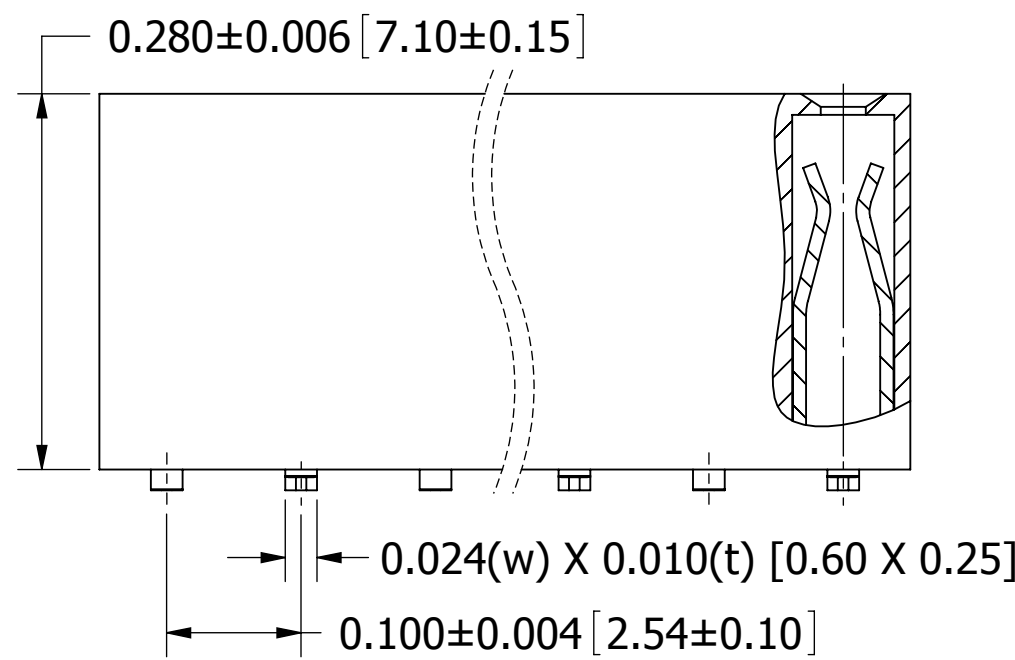
P = GOLD FLASH OVERALL
T = TIN OVERALL



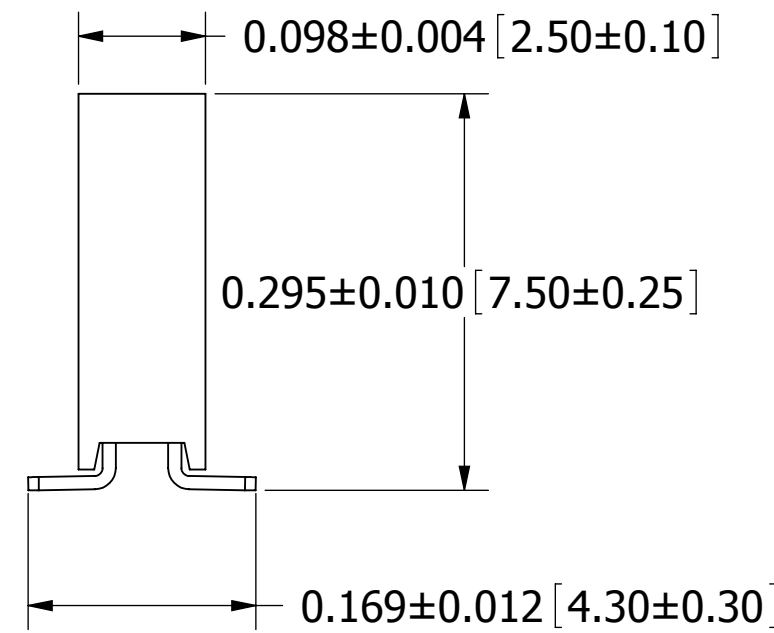
D MOUNTING STYLE



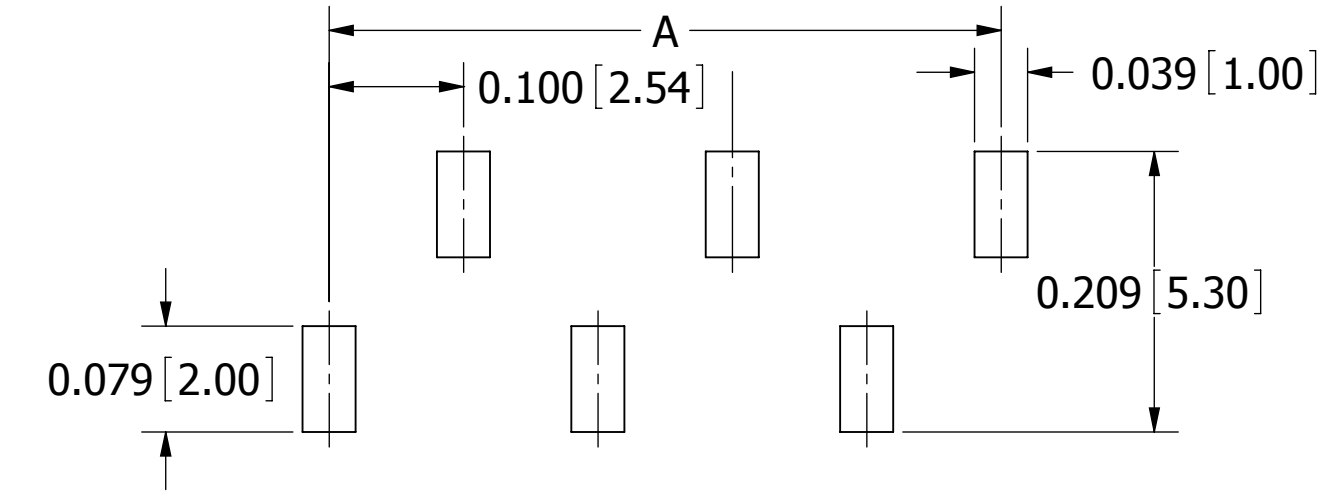
C MOUNTING STYLE



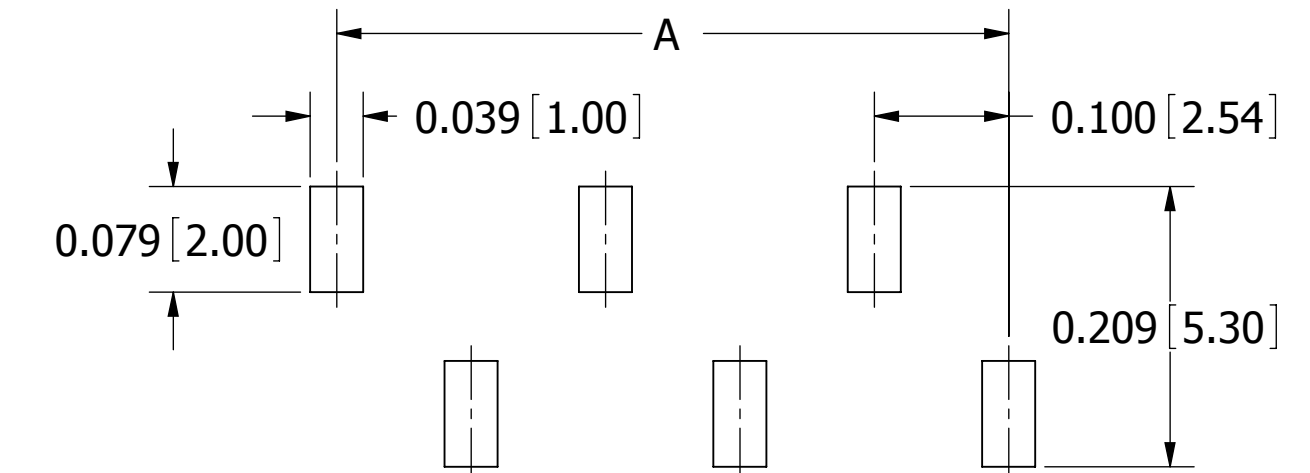
02-20, 0.20mm MAX.
21-40, 0.30mm MAX.



REVISIONS				
REV.	ECO. NO	DESCRIPTION	DATE	BY
A	647	INITIAL RELEASE	6/14/2005	TT
B	707	UPDATE DIMENSIONS	8/18/2005	TT
C	767	ADD .20mm TO B DIMS	10/13/2005	TT
D	1869	ADD PCB LAYOUT D STYLE, UPDATE POSITION CHART FORMAT	12/04/2008	JH



**RECOMMENDED PCB LAYOUT
D MOUNTING STYLE**

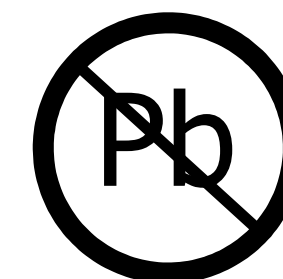


**RECOMMENDED PCB LAYOUT
C MOUNTING STYLE**

NOTES:

- INSULATOR MATERIAL: NYLON 6T, UL 94V-0.
- CONTACT MATERIAL: PHOSPHOR BRONZE.
- CONTACT PLATING: SEE PART NUMBER CODING.
- CURRENT RATING: 3 AMPS
- INSULATOR RESISTANCE: 5000 MEGOHMS MIN.
- CONTACT RESISTANCE: 20 MILLIOHMS MAX.
- DIELECTRIC WITHSTANDING: AC 500V.
- OPERATING TEMPERATURE: -40° C TO +125° C.
- *MAX PROCESSING TEMP.: 230° C FOR 30 - 60 SECONDS (260° C FOR 10 SECONDS).

*INDICATED TEMPERATURE AND TIME IS FOR COMPONENT INSULATOR. HIGHER PROCESSING TEMPERATURES MAY BE USED, PROVIDED HEAT IS APPLIED FROM BACK SIDE OF PCB, AND INSULATOR DOES NOT EXCEED INDICATED TEMPERATURE AND TIME.



RoHS COMPLIANT

UNLESS OTHERWISE SPECIFIED:
DIMENSIONS ARE IN INCHES[MM]
TOLERANCES:
ANGULAR: ± 5°
.XX=± .014 [.35]
.XXX=± .008 [.20]
SURFACE FINISH: 63 R_a
REMOVE ALL BURRS AND SHARP EDGES .010 MAX
INTERPRET DIMENSIONS AND GEOMETRIC TOLERANCING PER: ANSI Y14.5M-1994

DRAWN	DATE	NAME
JH	12/4/2008	JH

THE INFORMATION HEREIN CONTAINS PROPRIETARY INFORMATION OF SULLINS ELECTRONICS AND IS NOT TO BE REPRODUCED, USED OR DISCLOSED TO OTHERS FOR ANY PURPOSE EXCEPT AS SPECIFICALLY AUTHORIZED IN WRITING BY AN OFFICER OF SULLINS ELECTRONICS.

SULLINS
CONNECTOR SOLUTIONS

DESCRIPTION:
HEADER FEMALE, 2.54mm CC, 1 ROW, SMT

PART NUMBER:
NPxCxx1KFXx-RC

SIZE	DWG. NO.	REV
C	10487	D

SCALE: 4:1 SHEET 1 OF 1