



Chipsmall Limited consists of a professional team with an average of over 10 year of expertise in the distribution of electronic components. Based in Hongkong, we have already established firm and mutual-benefit business relationships with customers from,Europe,America and south Asia,supplying obsolete and hard-to-find components to meet their specific needs.

With the principle of "Quality Parts,Customers Priority,Honest Operation,and Considerate Service",our business mainly focus on the distribution of electronic components. Line cards we deal with include Microchip,ALPS,ROHM,Xilinx,Pulse,ON,Everlight and Freescale. Main products comprise IC,Modules,Potentiometer,IC Socket,Relay,Connector.Our parts cover such applications as commercial,industrial, and automotives areas.

We are looking forward to setting up business relationship with you and hope to provide you with the best service and solution. Let us make a better world for our industry!



Contact us

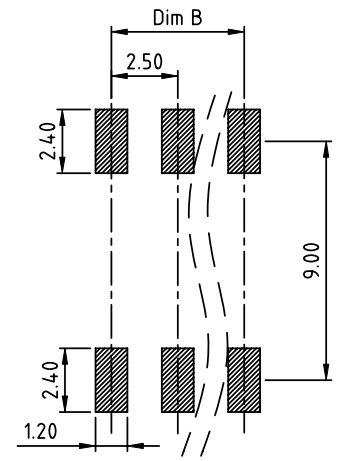
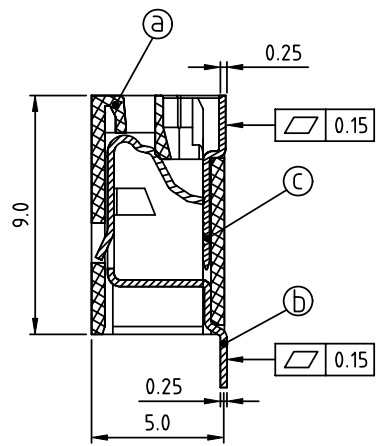
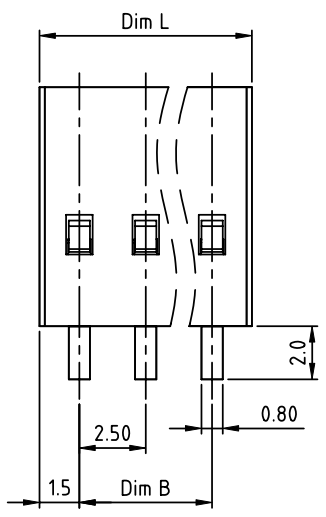
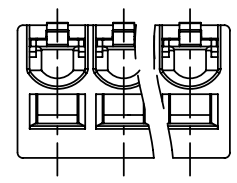
Tel: +86-755-8981 8866 Fax: +86-755-8427 6832

Email & Skype: info@chipsmall.com Web: www.chipsmall.com

Address: A1208, Overseas Decoration Building, #122 Zhenhua RD., Futian, Shenzhen, China



PRODUCT NUMBER	PITCH
NQxx01x000J0G	2.50mm



RECOMMENDED P.C.B LAYOUT
TOP VIEW

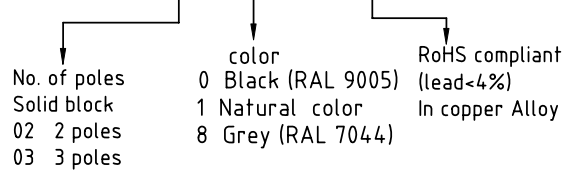
- Material:
- Item①Terminal housing:LCP (UL94V-0)
 - Item②Long solder pin: Copper alloy, Bright Tin plated
 - Item③Short solder pin: Copper alloy, Bright Tin plated
- | | | |
|-------------------|------------|----------------|
| Electrical | UL(UL1977) | cULus (UL1977) |
| ● Voltage rating: | 300VAC | 300VAC |
| ● Current rating: | 6A | 3A |
- Wire range:
 - Solid wire(AWG): 20-26
 - Tin Dipped Stranded wire(AWG): 20-26
 - Wire strip length: 6-7mm
 - Withstanding Voltage: 1.6KV
 - Operating temperature: -45°C to +130°C
 - Reflow soldering temperature: 260°C/10 Sec Max.
 - Safety Approval:

N=Number of poles

Dim.L	(N-1) × 2.5+3.0
Dim.B	(N-1) × 2.5

POLES	Tolerance
2P - 3P	±0.15

PART NO.: NQ xx 01 x 000J0 G



mat'l. code		surface ASME Y14.5	tolerance ASME Y14.5	projection 	product family TERMINAL BLOCK
ltr	ecn no	dr	date	tolerances unless otherwise specified	title TERMINAL BLOCK SPRING CLAMP,180D WIRE INLET,SMT
B	T-21473	HF	072015	angles X°±1'	
				scale	MM
		dr	EVIN ZHONG	071714	FCI dwg no NQxx01x000J0G sheet 1 of 1 size A4
		enr	EVIN ZHONG	071714	
		chr	HANKE FENG	071714	
		appd	SHI JUN	071714	
sheet index	revision	B			type CUSTOMER Drawing