



Chipsmall Limited consists of a professional team with an average of over 10 year of expertise in the distribution of electronic components. Based in Hongkong, we have already established firm and mutual-benefit business relationships with customers from,Europe,America and south Asia,supplying obsolete and hard-to-find components to meet their specific needs.

With the principle of “Quality Parts,Customers Priority,Honest Operation,and Considerate Service”,our business mainly focus on the distribution of electronic components. Line cards we deal with include Microchip,ALPS,ROHM,Xilinx,Pulse,ON,Everlight and Freescale. Main products comprise IC,Modules,Potentiometer,IC Socket,Relay,Connector.Our parts cover such applications as commercial,industrial, and automotives areas.

We are looking forward to setting up business relationship with you and hope to provide you with the best service and solution. Let us make a better world for our industry!



## Contact us

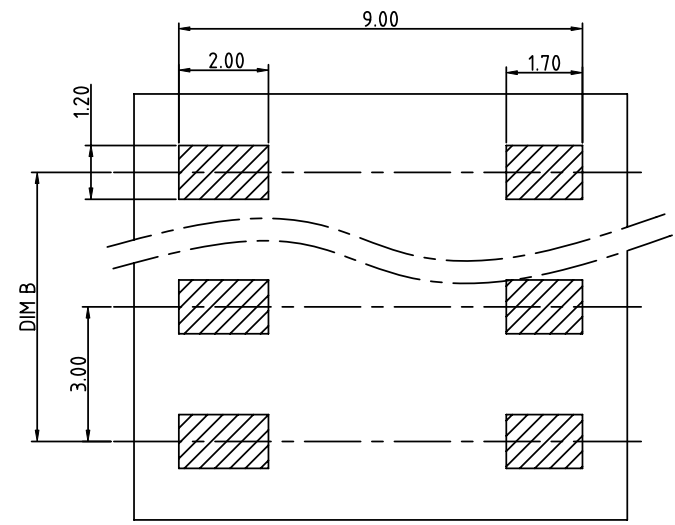
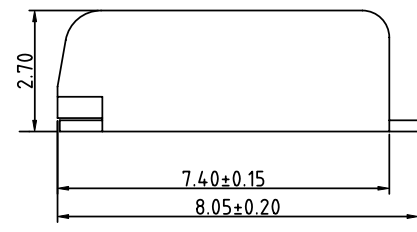
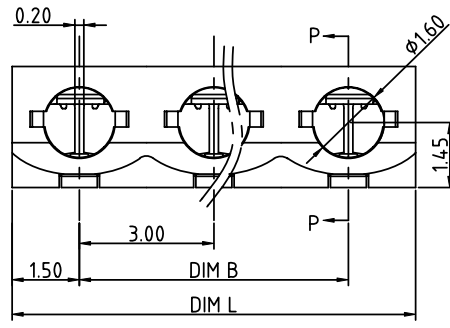
Tel: +86-755-8981 8866 Fax: +86-755-8427 6832

Email & Skype: info@chipsmall.com Web: www.chipsmall.com

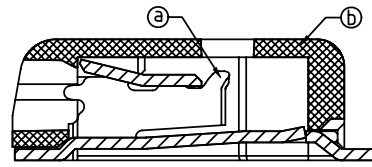
Address: A1208, Overseas Decoration Building, #122 Zhenhua RD., Futian, Shenzhen, China



PRODUCT NUMBER	PITCH
NQxx41x000JOG	3.0 mm



RECOMMENDED P.C.B LAYOUT



SECTION P-P

Material

- Item Ⓐ: Spring: Copper Alloy, Matte Tin plated over Nickel plated
- Item Ⓑ: Body: LCP (UL94V-0)
- Electrical UL(1977)
- Voltage rating: 150V
- Current rating: 3A
- Wire range:
- Solid wire(AWG): 22-26
- Wire strip length: 5-6mm
- Withstanding Voltage: 1.3KV
- Operating temperature: -40°C to +130°C
- Reflow Soldering temperature: 260°C/10 Sec max
- Safety Approval:

N=Number of poles

Dim L	$(N-1) \times 3.0 + 3.0$
Dim B	$(N-1) \times 3.0$

TOLERANCE

POLES	DIM B	DIM L
1P		±0.10
2P	±0.10	±0.15
3P	±0.20	±0.20

PART NO.: NQ xx 4 1 x 0 00J0 G

- No. of poles: 01 1 pole, 02 2 poles, 03 3 poles
- Color: 0 Black (RAL 9005), 1 Natural color, 8 Grey (RAL 7044)
- RoHS compliant (lead<4%) In copper Alloy

mat'l. code		surface ASME Y14.5	tolerance ASME Y14.5	projection 	product family TERMINAL BLOCK
ltr	ecn no	dr	date	tolerances unless otherwise specified	title TERMINAL BLOCK
				angles 	scale SPRING CLAMP, SMT TYPE
				$X \pm 1^{\circ}$	dwg no NQxx41x000JOG
		dr	EVIN ZHONG	070815	sheet 1 of 1
		enr	EVIN ZHONG	070815	size A4
		chr	HANKE FENG	070815	
		appd	SHI JUN	070815	type CUSTOMER Drawing
sheet index	revision	A			
	sheet	1			