



Chipsmall Limited consists of a professional team with an average of over 10 year of expertise in the distribution of electronic components. Based in Hongkong, we have already established firm and mutual-benefit business relationships with customers from,Europe,America and south Asia,supplying obsolete and hard-to-find components to meet their specific needs.

With the principle of “Quality Parts,Customers Priority,Honest Operation,and Considerate Service”,our business mainly focus on the distribution of electronic components. Line cards we deal with include Microchip,ALPS,ROHM,Xilinx,Pulse,ON,Everlight and Freescale. Main products comprise IC,Modules,Potentiometer,IC Socket,Relay,Connector.Our parts cover such applications as commercial,industrial, and automotives areas.

We are looking forward to setting up business relationship with you and hope to provide you with the best service and solution. Let us make a better world for our industry!



## Contact us

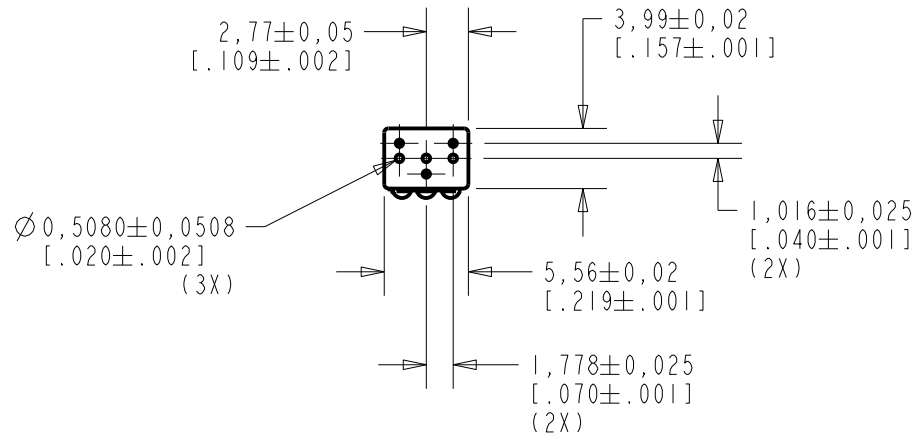
Tel: +86-755-8981 8866 Fax: +86-755-8427 6832

Email & Skype: info@chipsmall.com Web: www.chipsmall.com

Address: A1208, Overseas Decoration Building, #122 Zhenhua RD., Futian, Shenzhen, China



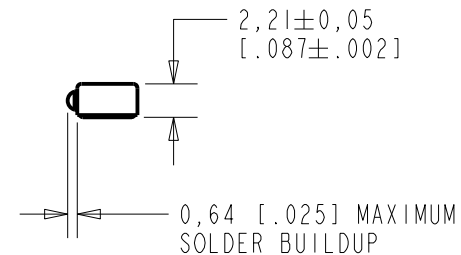
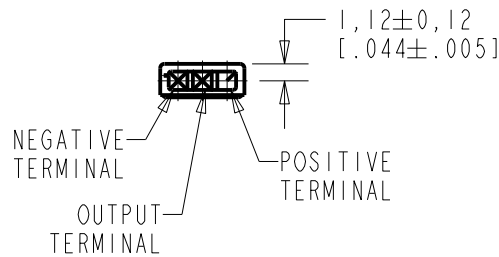
NR-25994-000  
SHT 1.1



NOTE:

- INCREASED PRESSURE AT THE SOUND INLET CAUSES A POSITIVE GOING VOLTAGE TO APPEAR AT THE OUTPUT TERMINAL, RELATIVE TO THE NEGATIVE TERMINAL.

**RED CONTROLLED**



NOMINAL WEIGHT  
.13 GRAM



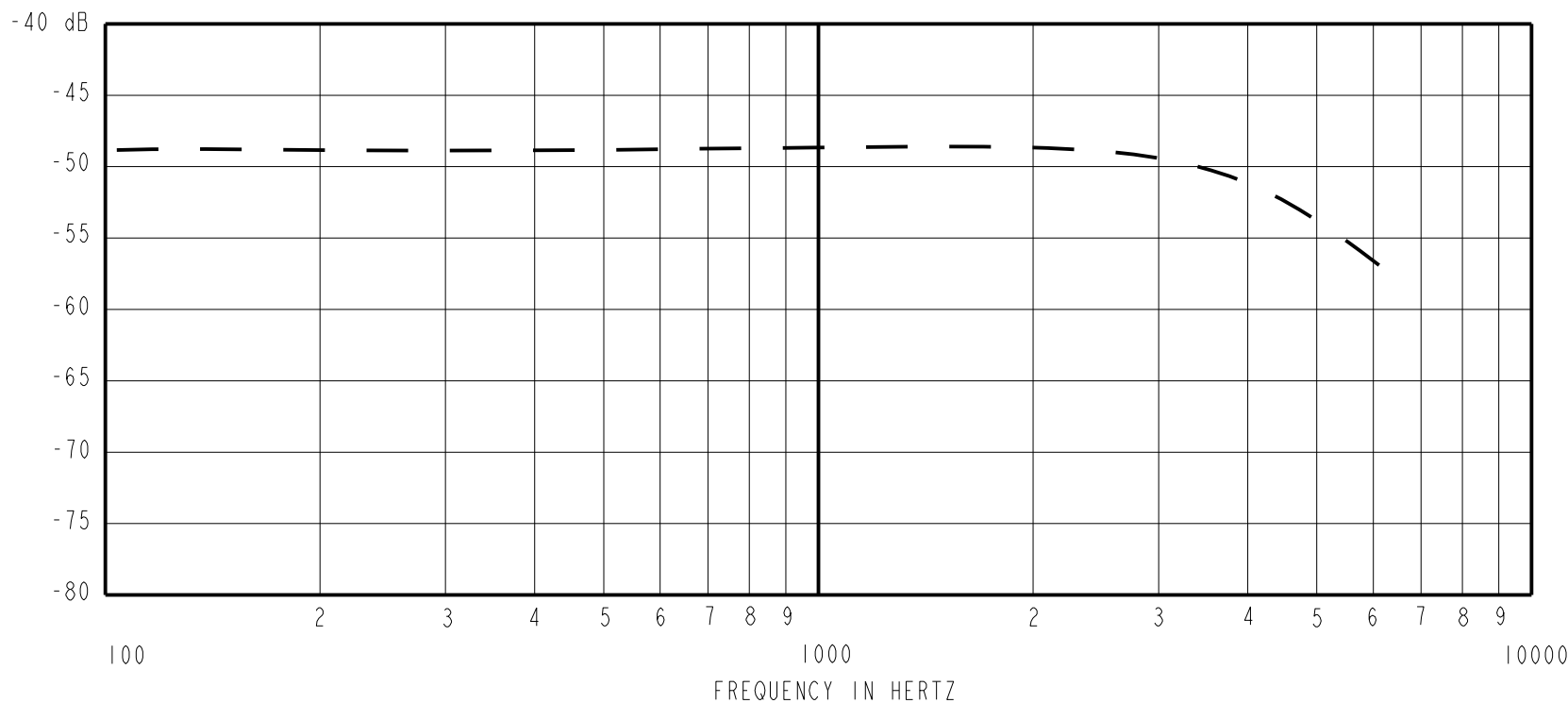
Ø 0.508±0.025  
[.020±.001]  
(15X)

DIMENSIONS IN MILLIMETERS [INCHES]

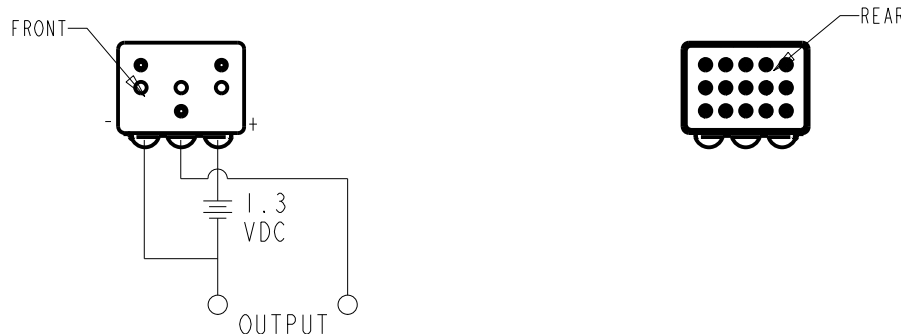
**KNOWLES ELECTRONICS**  
ITASCA, ILLINOIS U.S.A.

Revision	C.O. #	Implementation Date	RELEASE LEVEL	REVISION
D	MI0105063	5-07-13	Active	D
SCALE: 2:1			DR. BY: SDZ	DATE: 7-17-06
DO NOT SCALE DRAWING			CK. BY: GJP	DATE: 7-17-06
TITLE: MICROPHONE		NR-25994-000	APP. BY: GJP	DATE: 7-17-06
OUTLINE DRAWING		SHT 1.1		

SENSITIVITY IN dB RELATIVE TO 1.0 VOLT/0.1 Pa (N/M<sup>2</sup>)  
FOR CONDITIONS SHOWN BELOW.



FREQUENCY	SENSITIVITY			DEVICE CONFORMITY	
	MIN.	NOM.	MAX.	RANGE OF DEVIATION FROM 1KHz	
100	---	-49.0	---	-2.0	+2.0
1000	-52.0	-49.0	-46.0	0.0	0.0
4000	---	-51.0	---	-5.0	+1.0



NOTES:

- CASE CONNECTED TO NEGATIVE TERMINAL.
- MICROPHONE TO BE FUNCTIONAL WITH 10 VDC SUPPLY.
- SENSITIVITY VALUES INDICATED ON THIS SPECIFICATION ARE VALID AT 50% HUMIDITY.
- PRESSURE DIFFERENCE SENSITIVITY TESTED WITH REAR SOUND PORT SEALED TO AIR VOLUME OF AT LEAST 0.5 CC.
- VL SPEC: 0.15 - 0.90V

**RED CONTROLLED**

PORT LOCATION	DC SUPPLY	AMPLIFIER CURRENT DRAIN	OUTPUT IMPEDANCE OHMS			"A" WEIGHTED NOISE [ RE 1.0 V ]
			MIN.	NOM.	MAX.	
Ka, Ja	1.3V	50uA MAX.	2800	4400	6800	-99 dB MAX.

Revision	C.O. #	Implementation Date	RELEASE LEVEL	REVISION
D	MI0105063	5-8-13	Active	D

**KNOWLES ELECTRONICS**  
ITASCA, ILLINOIS U.S.A.

WHEN TEST LIMITS ARE USED TO ESTABLISH INCOMING INSPECTION ACCEPTANCE/REJECTION CRITERIA, CORRELATION OF TEST EQUIPMENT WITH KNOWLES IS ALSO REQUIRED FOR ELIMINATION OF EQUIPMENT AND TEST METHOD VARIATION

TITLE: **MICROPHONE**  
PERFORMANCE SPECIFICATION

**NR-25994-000**  
SHT 2.1




DR. BY	DATE
SDZ	7-17-06
CK. BY	DATE
GJP	7-17-06
APP. BY	DATE
GJP	7-17-06

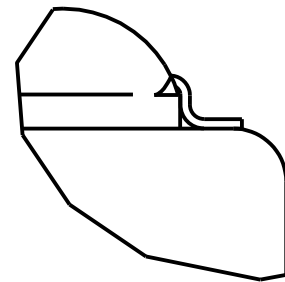
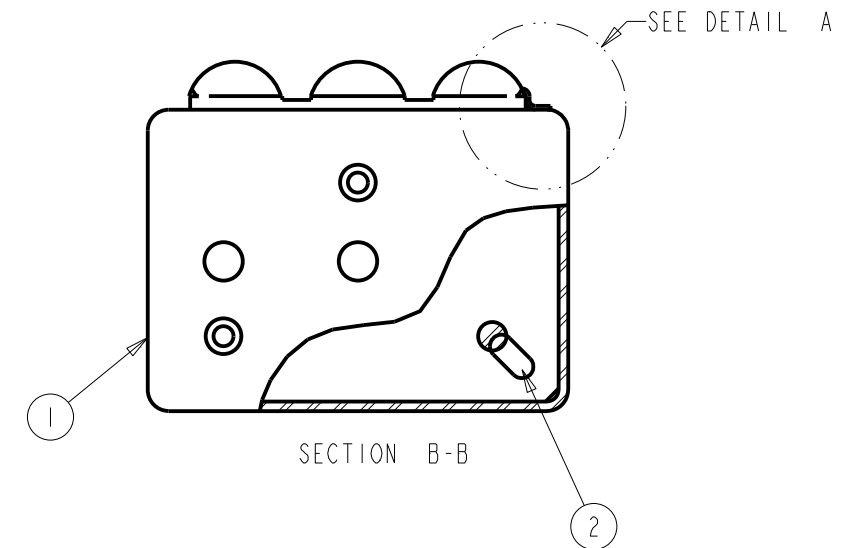
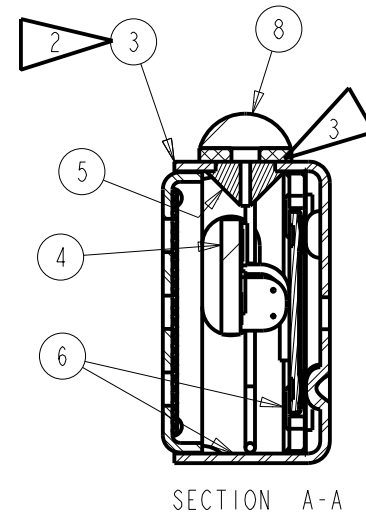
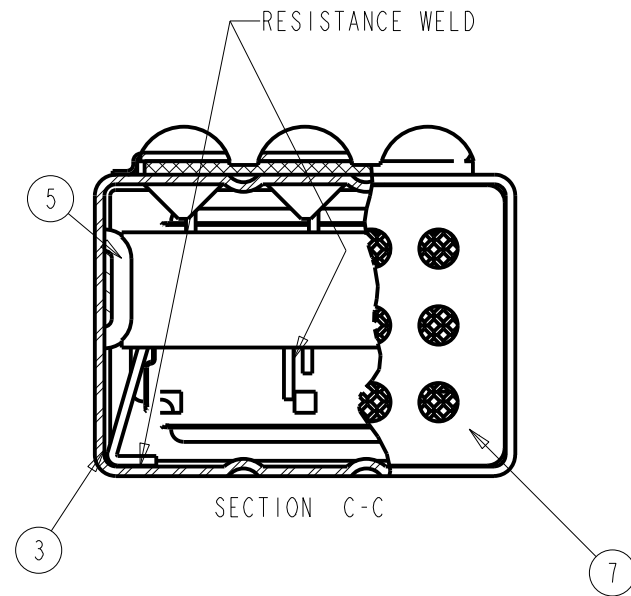
NR-25994-000

PROPRIETARY NOTE: THIS DOCUMENT CONTAINS INFORMATION WHICH IS THE PROPRIETARY PROPERTY OF KNOWLES ELECTRONICS, LLC. OR ITS AFFILIATED ENTITIES. IT IS ISSUED IN STRICT CONFIDENCE AND SHALL NOT BE REPRODUCED, COPIED, USED, OR DISCLOSED TO ANY THIRD PARTY PARTIALLY OR WHOLLY IN ANY MANNER WITHOUT PRIOR WRITTEN PERMISSION OF, AND MUST BE RETURNED UPON REQUEST BY, KNOWLES ELECTRONICS, LLC.

**RED CONTROLLED**

NOTES:

- ITEM NUMBERS (SHOWN THUS ) ON DRAWING CORRESPOND WITH ITEM NUMBERS ON BILL OF MATERIAL.
-  AIRTIGHT SEAL ALL AROUND.
-  WEB ON ITEM (4) TO EXTEND OVER METALLIZED AREA OF TAB ON ITEM (1).



SCALE 25:1

DIMENSIONS IN MILLIMETERS [INCHES]

MATERIAL		SEE BILL OF MATERIALS		FINISH		---		RELEASE LEVEL	REVISION
								Active	D
								SCALE: 10:1	DO NOT SCALE DRAWING
								DR. BY	DATE
								SDZ	7-17-06
								CH. BY	DATE
								GJP	7-17-06
								APP. BY	DATE
								GJP	7-17-06
REF.	NONE							TITLE	
A	c.o. M10101181							MICROPHONE ASSEMBLY	
B	c.o. M10101282							NR-25994-000	
ADDED GROUND WIRE								SHEET 3.1	
LSY 11-20-06									
C	c.o. M10101377								
MODIFIED SHEET 2.1									
ADDED SHEET 5.1									
CRG 1-17-07									
D	c.o. M10105063								
UPDATE THE REVISION									
00 5-7-13									

UNLESS OTHERWISE SPECIFIED, DIMENSIONS ARE IN INCHES





<b>NR-25994-000</b>	<b>KNOWLES ELECTRONICS</b> <b>ITASCA, ILLINOIS U.S.A.</b>	<b>NR-25994-000</b>
Sheet <b>4.1</b>		Sheet <b>4.1</b>
Dr. By Date SDZ 7-17-06	Subject: <b>MICROPHONE ASSEMBLY</b>	Revision <b>D</b>
Ch. GJP 7-17-06		Release Level
App. GJP 7-17-06		<b>Active</b>

COL. 1	2	3	4	Item No.	Line No.
Part or Dwg. no.	Tot. Req.	Nomenclature:	Applicable Specs or Remarks		
NR-100	1	ASSEMBLY CUP & TAB		1	1
NR-102	1	RING, FILM & PLATE ASSEMBLY		2	2
(D) 13-092-080101	A/R	CEMENT		3	3
EK02-282	1	CIRCUIT ASSEMBLY WITH WIRES		4	4
(D) 13-092-080704	A/R	CEMENT		5	5
(D) 13-138-314	A/R	CEMENT		6	6
NR-114	1	ASSEMBLY CUP & SCREEN		7	7
285-007-001	A/R	SOLDER LEAD FREE		8	8

RED CONTROLLED

REVISION	A c.o. M10101181	B c.o. M10101282	C c.o. M10101377	D c.o. M10105063
	ADDED GROUND WIRE LSY 11-20-06	MODIFIED SHEET 2.1 ADDED SHEET 5.1 CRG 1-17-07	13-092-080101 WAS 13-092 13-092-080704 WAS 13-092 13-138-314 WAS 13-138 00 5-07-13	

**NR-25994-000**  
Sheet **4.1**

PROPRIETARY NOTE: THIS DOCUMENT CONTAINS INFORMATION WHICH IS THE PROPRIETARY PROPERTY OF KNOWLES ELECTRONICS, LLC. OR ITS AFFILIATED ENTITIES. IT IS ISSUED IN STRICT CONFIDENCE AND SHALL NOT BE REPRODUCED, COPIED, USED, OR DISCLOSED TO ANY THIRD PARTY PARTIALLY OR WHOLLY IN ANY MANNER WITHOUT PRIOR WRITTEN PERMISSION OF, AND MUST BE RETURNED UPON REQUEST BY, KNOWLES ELECTRONICS, LLC.

REV: D

PRODUCTION TEST INFORMATION

SOFTWARE REVISION GPIB FCAMT	SOFTWARE 5.2 MIN.
HARDWARE REVISION GPIB FCAMT	KE 10698.10A MIN.

**RED CONTROLLED**

Revision	C.O. #	Implementation Date	RELEASE LEVEL	REVISION
			<b>Active</b>	<b>D</b>
D	M10105063	5-07-13		

**KNOWLES ELECTRONICS**  
 ITASCA, ILLINOIS U.S.A.

WHEN TEST LIMITS ARE USED TO ESTABLISH INCOMING INSPECTION ACCEPTANCE/REJECTION CRITERIA, CORRELATION OF TEST EQUIPMENT WITH KNOWLES IS ALSO REQUIRED FOR ELIMINATION OF EQUIPMENT AND TEST METHOD VARIATION

TITLE: **MICROPHONE** **NR-25994-000**  
 PERFORMANCE SPECIFICATION **SHT 5.1**

DR. BY	DATE
SDZ	7-17-06
CK. BY	DATE
GJP	7-17-06
APP. BY	DATE
GJP	7-17-06