



Chipsmall Limited consists of a professional team with an average of over 10 year of expertise in the distribution of electronic components. Based in Hongkong, we have already established firm and mutual-benefit business relationships with customers from,Europe,America and south Asia,supplying obsolete and hard-to-find components to meet their specific needs.

With the principle of “Quality Parts,Customers Priority,Honest Operation,and Considerate Service”,our business mainly focus on the distribution of electronic components. Line cards we deal with include Microchip,ALPS,ROHM,Xilinx,Pulse,ON,Everlight and Freescale. Main products comprise IC,Modules,Potentiometer,IC Socket,Relay,Connector.Our parts cover such applications as commercial,industrial, and automotives areas.

We are looking forward to setting up business relationship with you and hope to provide you with the best service and solution. Let us make a better world for our industry!



## Contact us

Tel: +86-755-8981 8866 Fax: +86-755-8427 6832

Email & Skype: info@chipsmall.com Web: www.chipsmall.com

Address: A1208, Overseas Decoration Building, #122 Zhenhua RD., Futian, Shenzhen, China



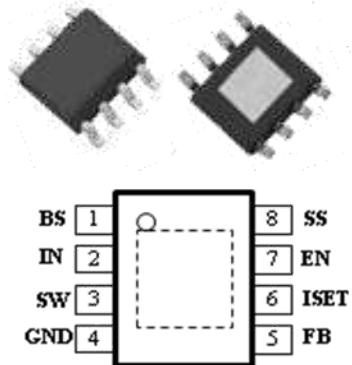
# NR110E series

## General Descriptions

The NR110E series is buck regulator ICs integrates High-side power MOSFET. The feature increasing efficiency at light loads allows the device to be used in the energy-saving applications. With the current mode control, ultra low ESR capacitors such as ceramic capacitors can be used. The ICs have protection functions such as Over-Current Protection (OCP), Under-Voltage Lockout (UVLO) and Thermal Shutdown (TSD). An adjustable Soft-Start by an external capacitor prevents the excessive inrush current at turn-on. The ICs integrate phase compensation circuit which reduces the number of external components and simplifies the design of customer application. The ON/OFF pin (EN Pin) turns the regulator on or off and helps to achieve low power consumption requirements. The NR110E series is available in an 8-pin SOIC package with an exposed thermal pad on the back side.

## Package

- Exposed SOIC 8
- Thermally enhanced 8-Pin package



## Features & Benefits

- Current mode PWM control
- Up to 94% Efficiency,  
Up to 68% Efficiency at  $I_O = 20\text{mA}$  Light Load
- Adjustable “Over Current Protection (OCP)”
- Current mode PWM control
- Stable with low ESR ceramic output capacitors
- Built-in protection function  
Over Current Protection (OCP)  
Thermal Shutdown (TSD)  
Under Voltage Lockout (UVLO)
- Built-in phase compensation
- Adjustable Soft-Start with an external capacitor
- Turn ON/OF the regulator function

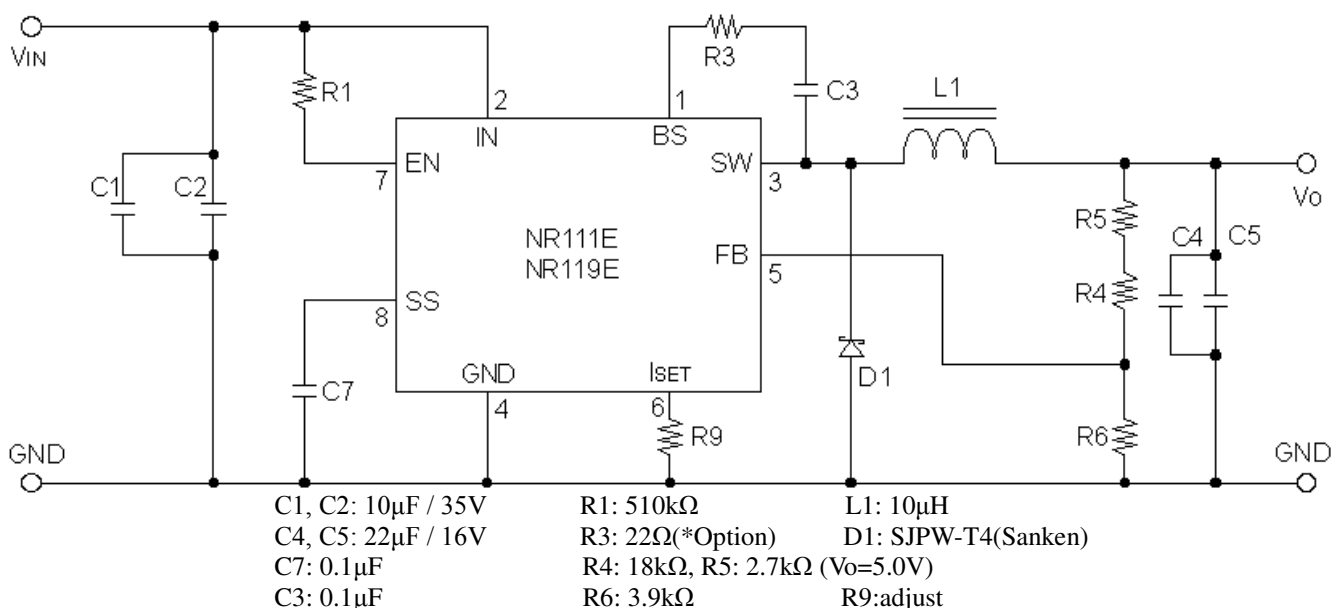
## Electrical Characteristics

- Operating input range  $V_{IN} = 6.5\text{V} \sim 31\text{V}$
- Output adjustable  $V_O = 0.8\text{V} \sim 24\text{V}$
- 2A / 4A output current
- Fixed 350kHz frequency : NR111E  
Fixed 364kHz frequency : NR119E

## Applications

- LCD TV / Blu-Ray / Set top box
- Home appliance
- Green Electronic products
- Other power supply

## Typical Application Circuit



# NR110E series

Jun. 21, 2016

## Series Lineup

Product No.	$f_{SW}$	$V_{IN}$	$V_O$	$I_O$
NR111E	350kHz	6.5V to 31V <sup>(1)</sup>	0.8V to 24V <sup>(2)</sup>	4A
NR119E	364kHz			2A

<sup>(1)</sup> The minimum input voltage shall be either of 6.5V or  $V_O+3V$ , whichever is higher.

<sup>(2)</sup> The I/O condition limited by the Minimum on-time ( $T_{ON(MIN)}$ ).

## Absolute Maximum Ratings

Parameter	Symbol	Ratings	Units	Conditions
DC input voltage	$V_{IN}$	35	V	
BS Pin voltage	$V_{BS}$	44	V	
BS-SW Pin voltage	$V_{BS-SW}$	8	V	
SW Pin voltage	$V_{SW}$	35	V	
FB Pin voltage	$V_{FB}$	5.5	V	
EN Pin voltage	$V_{EN}$	35	V	
SS Pin voltage	$V_{SS}$	5.5	V	
Power dissipation	<sup>(3)</sup> $P_D$	1.76	W	Glass-epoxy board mounting in 30×30mm. (copper area in a 25×25mm) Max $T_J=150^{\circ}C$
Junction temperature	<sup>(4)</sup> $T_J$	-40 to 150	$^{\circ}C$	
Storage temperature	$T_S$	-40 to 150	$^{\circ}C$	
Thermal resistance (junction- Pin No. 4)	$\theta_{JP}$	26	$^{\circ}C/W$	
Thermal resistance (junction-ambient air)	$\theta_{JA}$	71	$^{\circ}C/W$	Glass-epoxy board mounting in 30×30mm. (copper area in 25×25mm)

<sup>(3)</sup> Limited by thermal shutdown.

<sup>(4)</sup> The temperature detection of thermal shutdown is about 160 $^{\circ}C$

## Recommended Operating Conditions

Parameter	Symbol	Ratings		Units	Conditions
		MIN	MAX		
DC input voltage	<sup>(5)</sup> $V_{IN}$	6.5	31	V	
DC output current	NR111E <sup>(6)</sup>	0	4.0	A	
	NR119E <sup>(7)</sup>	0	2.0		
Output voltage	$V_O$	0.8	24	V	
Ambient operating temperature	<sup>(7)</sup> $T_{op}$	-40	85	$^{\circ}C$	

<sup>(5)</sup> The minimum value of input voltage is taken as the larger one of either 6.5V or  $V_O+3V$ .

<sup>(6)</sup> Recommended circuit refers to Typical Application Circuit.

<sup>(7)</sup> To be used within the allowable package power dissipation characteristics.

## NR110E series

Jun. 21, 2016

## Electrical Characteristics

Ta = 25°C

Parameter		Symbol	Ratings			Units	Test conditions
			MIN	TYP	MAX		
Reference voltage		$V_{REF}$	0.784	0.800	0.816	V	$V_{IN} = 12V, I_O = 1.0A$
Output voltage temperature coefficient		$\Delta V_{REF}/\Delta T$	—	$\pm 0.05$	—	mV/°C	$V_{IN} = 12V, I_O = 1.0A$ -40°C to +85°C
Switching frequency	NR111E	$f_{SW}$	280	350	420	kHz	$V_{IN} = 12V, V_O = 5.0V,$ $I_O = 1^\circ$
	NR119E		291	364	437		
Line regulation		<sup>(8)</sup> $V_{Line}$	—	50	—	mV	$V_{IN} = 8V \text{ to } 31V, V_O = 5.0V,$ $I_O = 1^\circ$
Load regulation		<sup>(8)</sup> $V_{Load}$	—	50	—	mV	$V_{IN} = 12V, V_O = 5.0V,$ $I_O = 0.1 \text{ to } 2.0A$
Over current protection starting current	NR111E	$I_{S1}$	—	1.5	—	A	$V_{IN} = 12V, V_O = 5.0V$ ISET=OPEN
		$I_{S2}$	—	5.5	—		$V_{IN} = 12V, V_O = 5.0V$ ISET=SHORT
	NR119E	$I_{S1}$	—	0.9	—		$V_{IN} = 12V, V_O = 5.0V$ ISET=OPEN
		$I_{S2}$	—	2.8	—		$V_{IN} = 12V, V_O = 5.0V$ ISET=SHORT
Supply Current		$I_{IN}$	—	1	—	mA	$V_{IN} = 12V$ $V_{EN} = 10k\Omega$ pull up to $V_{IN}$
Shutdown Supply Current		$I_{IN(off)}$	0	1	—	$\mu A$	$V_{IN} = 12V, I_O = 0A,$ $V_{EN} = 0V$
SS Pin	Source current at low level voltage	$I_{EN/SS}$	6	10	14	$\mu A$	$V_{SS} = 0V, V_{IN} = 12V$
EN Pin	Sink current	$I_{EN}$	—	20	50	$\mu A$	$V_{EN} = 10V$
	Threshold voltage	$V_{C/EH}$	0.7	1.4	2.1	V	$V_{IN} = 12V$
ISET Pin	Open voltage	$V_{ISET}$	—	1.5	—	V	$V_{IN} = 12V$
Max on-duty		<sup>(8)</sup> $D_{MAX}$	—	90	—	%	
Minimum on-time	NR111E	<sup>(8)</sup> $T_{ON(MIN)}$	—	150	—	ns	
	NR119E		—	150	—		
Thermal shutdown threshold temperature		<sup>(8)</sup> TSD	151	165	—	°C	
Thermal shutdown restart hysteresis of temperature		<sup>(8)</sup> TSD_hys	—	20	—	°C	

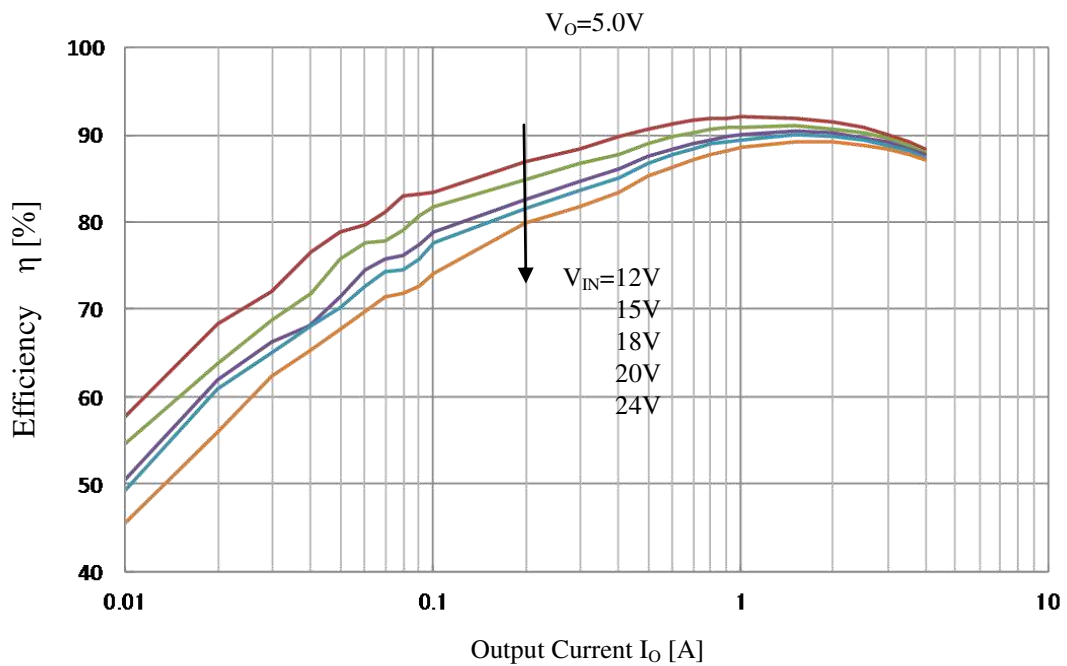
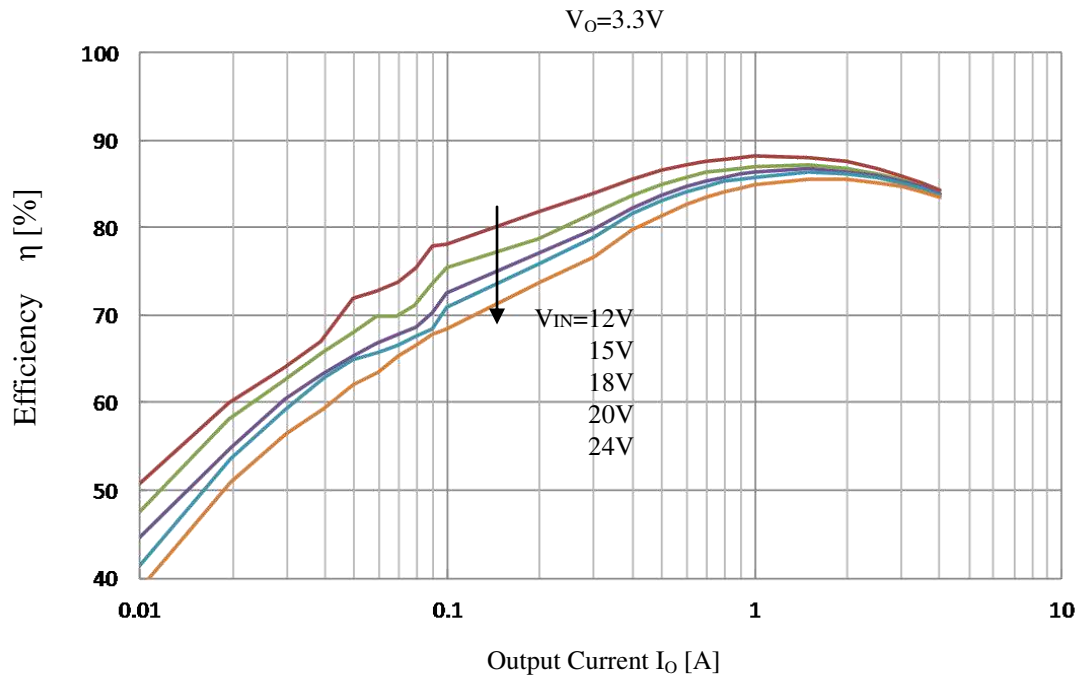
<sup>(8)</sup> Guaranteed by design, not tested.

# NR110E series

## Typical Performance Characteristics

### NR111E Typical Performance Characteristics

#### Efficiency

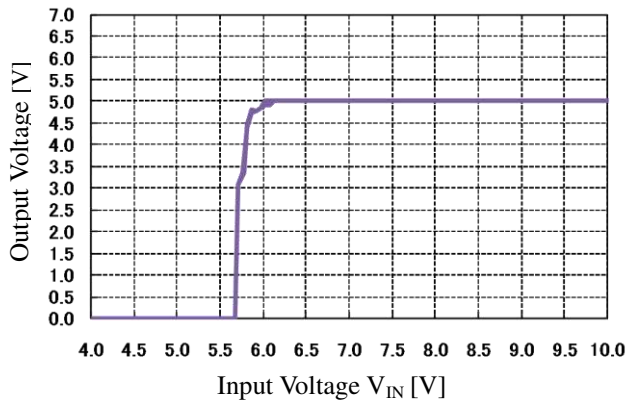


# NR110E series

## NR111E Typical Performance Characteristics

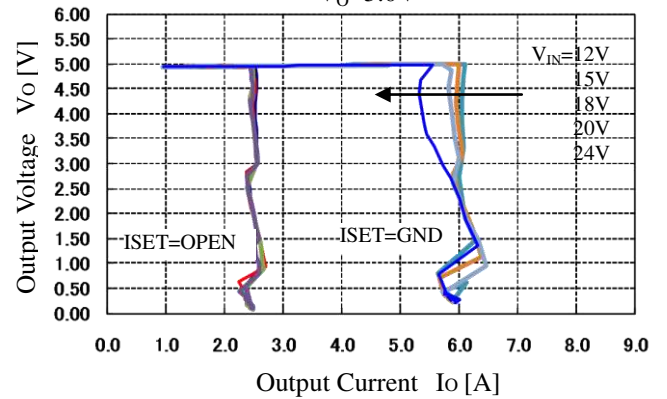
### Output startup

$V_O=5.0V$ , Load = Constant Resistance



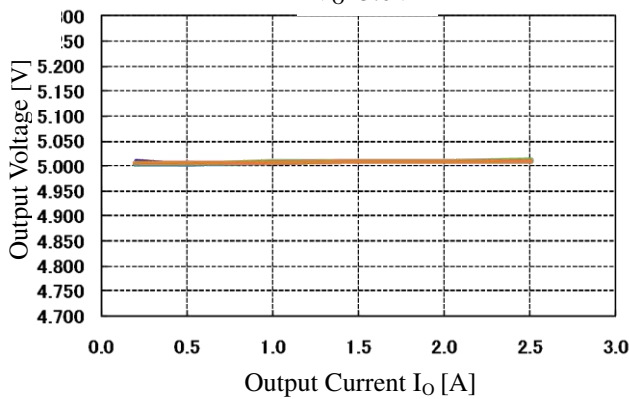
### Over Current Protection

$V_O=5.0V$



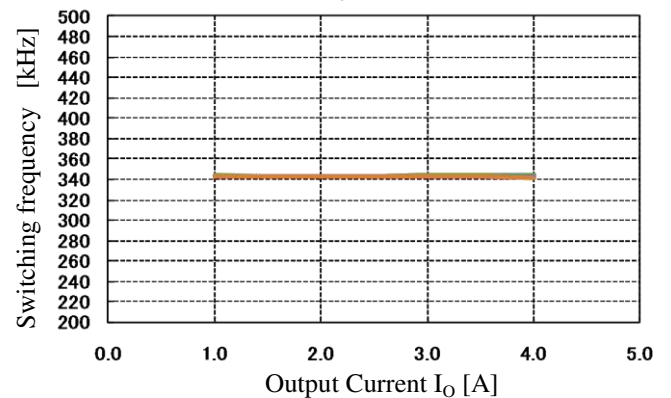
### Load Regulation: $V_{Load}$

$V_O=5.0V$



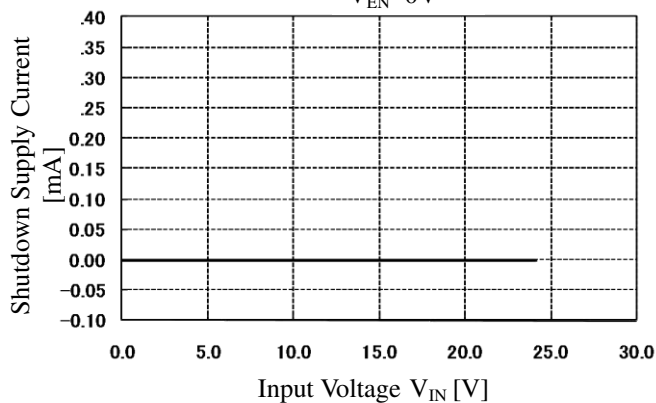
### Switching Frequency: $f_{SW}$

$V_O=5.0V$



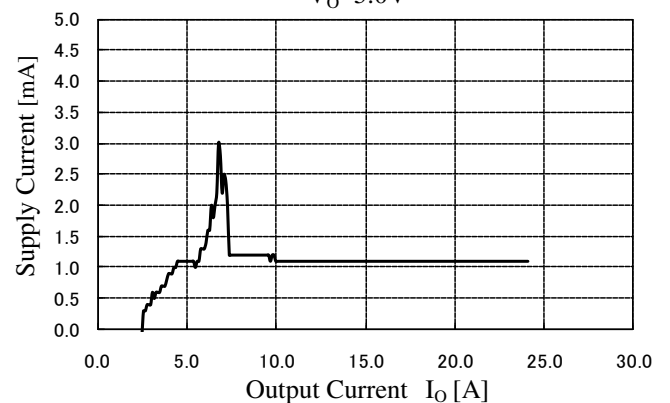
### Shutdown Supply Current: $I_{IN(off)}$

$V_{EN}=0V$



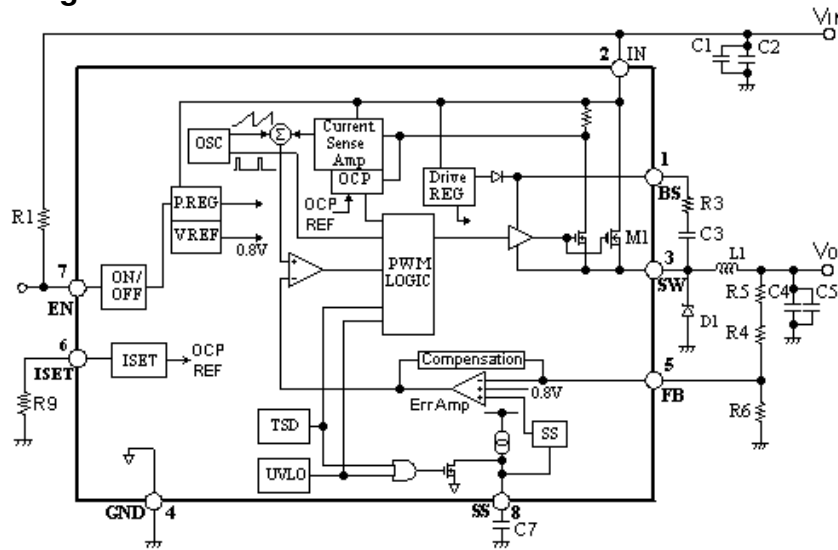
### Supply Current: $I_{IN}$

$V_O=5.0V$

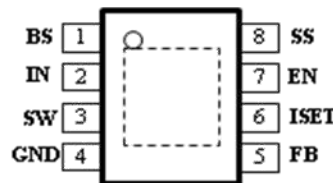


# NR110E series

## Functional Block Diagram



## Pin Assignments & Functions



### Pin Assignments

#### Pin Functions

Pin No.	Symbol	Description
1	BS	High-side Boost input. BS supplies the drive for High-side Nch-MOSFET switch. Connect a capacitor and a resistor between SW to BS.
2	IN	Power input. IN supplies the power to the IC as well as the regulator switches
3	SW	Power switching output. SW supplies power to the output. Connect the LC filter from SW to the output. Note that a capacitor is required from SW to BS to supply the power the High-side switch
4	GND	Ground Connect the exposed pad to Pin No.4
5	FB	Feedback input Pin to compare Reference Voltage. The feedback threshold is 0.8V. To set the output voltage, FB Pin is required to connect between resistive voltage divider R4 and R6.
6	ISET	Adjust Pin of OCP starting current OCP starting current can be adjusted by connecting a resistor to ISET Pin. In the case of using at Maximum Io, ISET Pin is required to connect to GND.
7	EN	Enable input. Drive EN Pin high to turn on the regulator, low to turn it off.
8	SS	Soft-Start control input. To set the soft-start period, connect to a capacitor between GND.

## External Components Design Guide

### (1)Diode D1

- The Schottky-barrier diode must be used for D1. If other diodes like fast recovery diodes are used, IC may be damaged because of the reverse voltage applied by the recovery voltage or ON voltage.

### (2)Choke coil L1

- If the winding resistance of the choke coil is too high, the efficiency may go down to the extent that it is out of the rating.
- As the start current of the over current protection is approximately 4A, attention must be paid to the heating of the choke coil by the magnetic saturation due to overload or short-circulated load.

### (3)Capacitor C1 (C2), C4 (C5), C7

- As large ripple current across C1 (C2) and C4 (C5), capacitors with high frequency and low impedance for SMPS must be used. Especially when the impedance of C4 (C5) is high, the switching waveform may not be normal at low temperature.
- C7 is a capacitor for soft start. A soft-start controls the over-shoot of the output voltage rising and rush current.

### (4)Resistor R1, R2

- R4, R5, R6 are resistor to the Output Voltage.  $I_{ADJ}$  is required to set to 0.2mA.  
R4, R5, R6 are calculated by the equation (1).

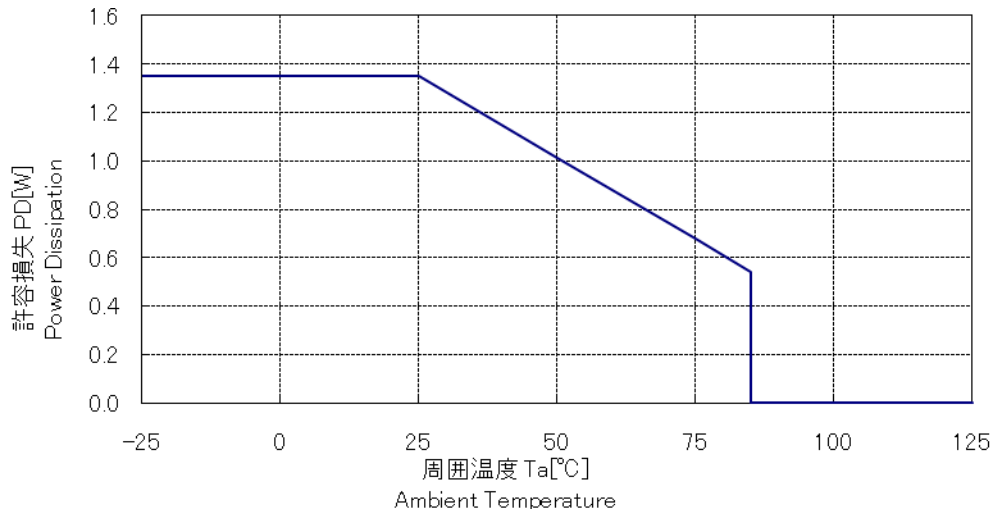
$$R4 + R5 = \frac{(V_O - V_{FB})}{I_{ADJ}} = \frac{(V_O - 0.8)}{0.2 \times 10^{-3}} (\Omega), \quad R6 = \frac{V_{FB}}{I_{ADJ}} = \frac{0.8}{0.2 \times 10^{-3}} \doteq 4.0k(\Omega) \quad \text{----- (1)}$$

In order to have optimum operating condition, each component must be connected with the minimum distance.



# NR110E series

## Allowable package power dissipation



### NOTES

- 1) Glass-epoxy board mounting in a 30×30mm
- 2) Copper area: 25×25mm
- 3) The power dissipation is calculated at the junction temperature 125 °C
- 4) Losses can be calculated by the following equation.  
As the efficiency is subject to the input voltage and output current, it shall be obtained from the efficiency curve and substituted in percent
- 5) Thermal design for D1 shall be made separately.

$$P_D = V_O \cdot I_O \left( \frac{100}{\eta_x} - 1 \right) - V_F \cdot I_O \left( 1 - \frac{V_O}{V_{IN}} \right)$$

$V_O$ : Output voltage

$V_{IN}$ : Input voltage

$I_O$ : Output current

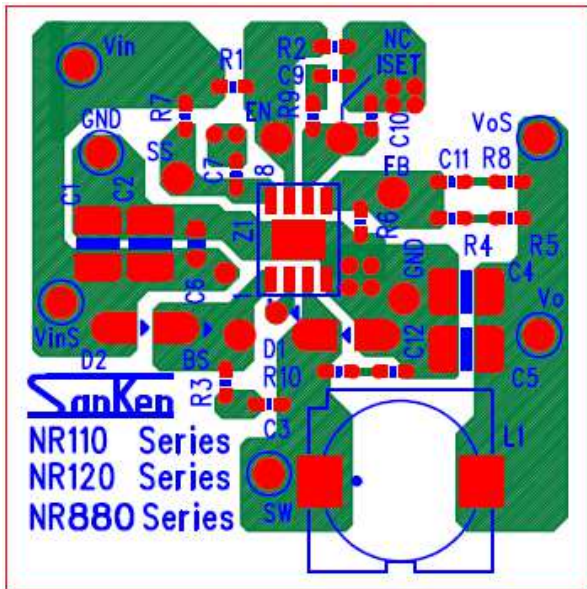
$\eta_x$ : Efficiency(%)

$V_F$ : Diode forward voltage  
SJPB-L4...0.55V( $I_O=3A$ )

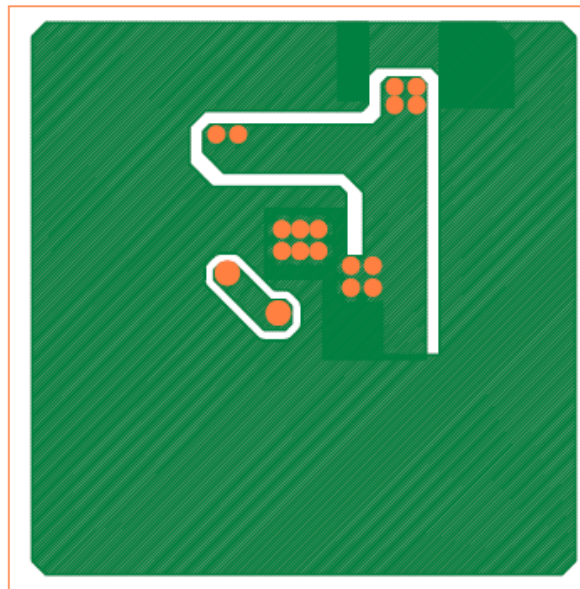
# NR110E series

## PCB Layout Example & Recommended Land Pattern

- (1) Each ground of all components is connected as close as possible to the Pin No.1 at one point.
- (2) To help heat dissipation, connect a large copper plane to exposed pad on the back side of the package. The copper plane is required for GND



Front Side: Component Side (double sided board)

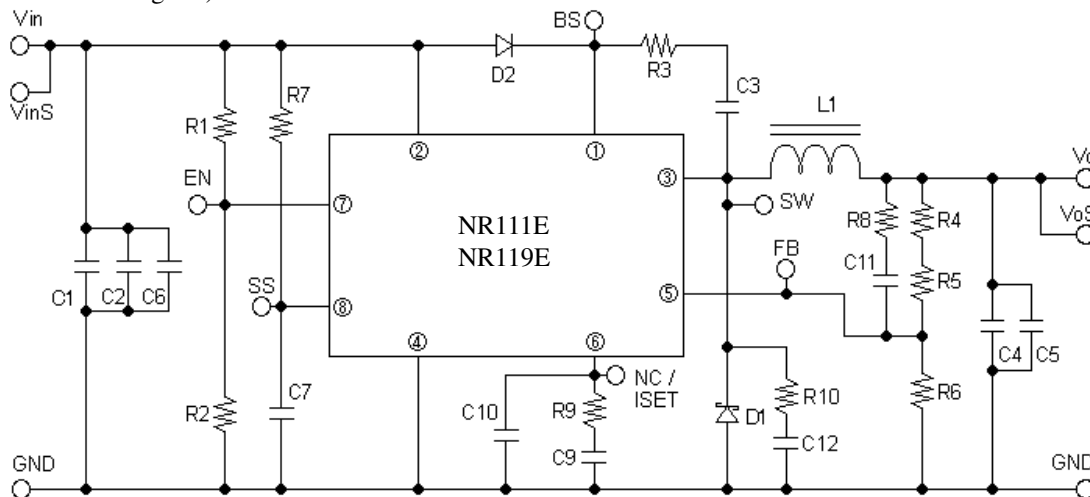


Back Side: GND Side (double sided board)

**NOTES:**

Real size of the PCB is 60mm×60mm

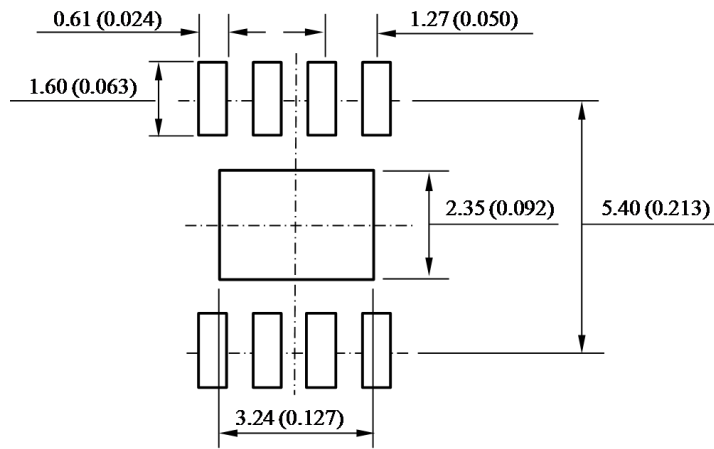
(Demo-board circuit-diagram)



As for the part number of the demonstration board "circuit-diagram", a circuit board concerned doesn't partly fit each other with the above application circuit example and so on for NR110, NR120 and the NR880 series common use. Approve it in advance. C9, R9 and C10 aren't used in the NR110 series. And, D2, R3, R8, R10, C11 and C12 are options.

\*Mount I<sub>SET</sub> setup resistor R9 on the position of C10.

# NR110E series



**NOTES:**

- 1) Dimension is in millimeters, dimension in bracket is in inches.
- 2) Drawing is not to scale.

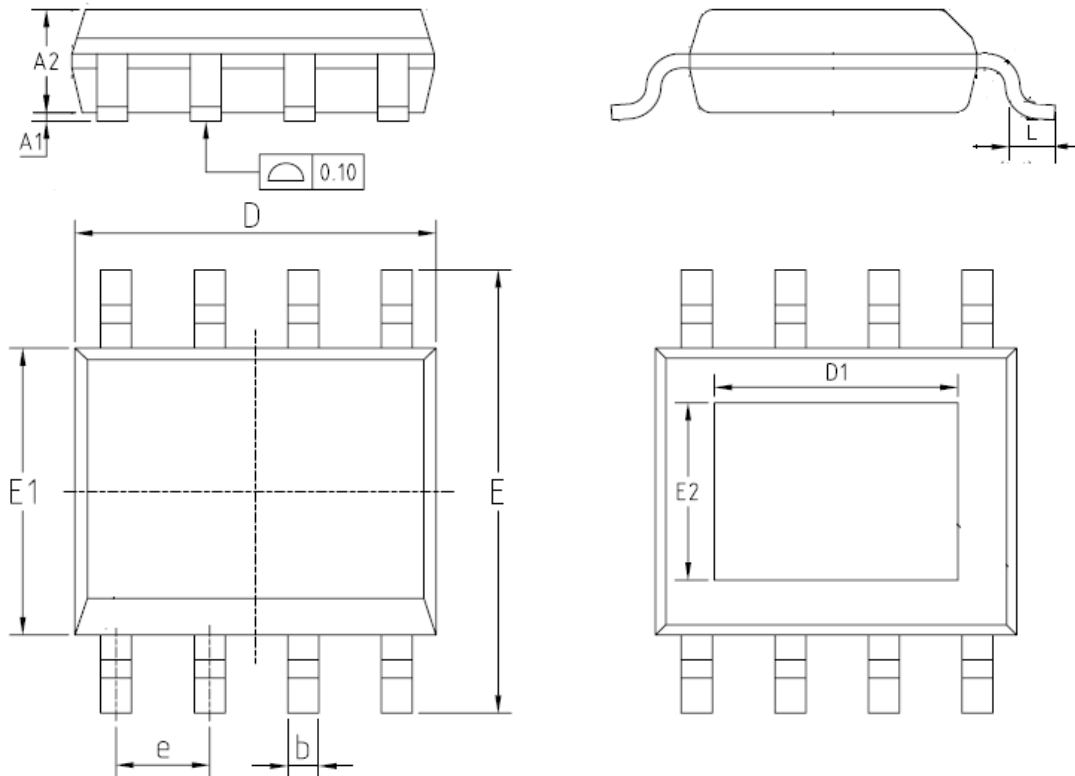
Recommended land pattern

# NR110E series

## Package Outline

Exposed SOIC8 package

An outside size is supplied by either Package type A or Package type B.



Package outline, dimensions

Symbol	Package A			Package B		
	MIN	TYP	MAX	MIN	TYP	MAX
A1	0	—	0.1524	0	0.10	0.15
A2	1.398	1.448	1.498	1.25	1.40	1.65
b	0.330	—	0.508	0.38	—	0.51
D	4.80	4.902	5.004	4.80	4.90	5.00
D1	3.053	3.18	3.307	3.10	3.30	3.50
E	5.893	—	6.198	5.80	6.00	6.20
E1	3.73	—	3.89	3.80	3.90	4.00
E2	2.033	2.16	2.287	2.20	2.40	2.60
e	—	1.27	—	—	1.27	—
L	0.508	—	0.762	0.45	0.60	0.80

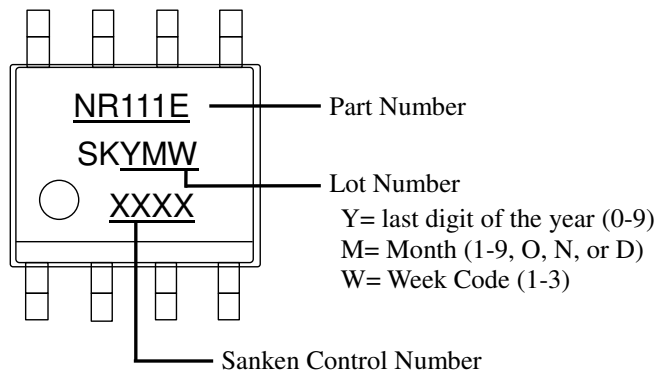
**NOTES:**

- 1) Dimension is in millimeters, dimension in bracket is in inches.
- 2) Drawing is not to scale.
- 3) Pb-free: Device composition comply with the RoHS directive.

# NR110E series

Jun. 21, 2016

## Package Marking



### IMPORTANT NOTES

- All data, illustrations, graphs, tables and any other information included in this document as to SanKen's products listed herein (the "SanKen Products") are current as of the date this document is issued. All contents in this document are subject to any change without notice due to improvement of the SanKen Products, etc. Please make sure to confirm with a SanKen sales representative that the contents set forth in this document reflect the latest revisions before use.
- The SanKen Products are intended for use as components of general purpose electronic equipment or apparatus (such as home appliances, office equipment, telecommunication equipment, measuring equipment, etc.). Prior to use of the SanKen Products, please put your signature, or affix your name and seal, on the specification documents of the SanKen Products and return them to SanKen. When considering use of the SanKen Products for any applications that require higher reliability (such as transportation equipment and its control systems, traffic signal control systems or equipment, disaster/crime alarm systems, various safety devices, etc.), you must contact a SanKen sales representative to discuss the suitability of such use and put your signature, or affix your name and seal, on the specification documents of the SanKen Products and return them to SanKen, prior to the use of the SanKen Products. The SanKen Products are not intended for use in any applications that require extremely high reliability such as: aerospace equipment; nuclear power control systems; and medical equipment or systems, whose failure or malfunction may result in death or serious injury to people, i.e., medical devices in Class III or a higher class as defined by relevant laws of Japan (collectively, the "Specific Applications"). SanKen assumes no liability or responsibility whatsoever for any and all damages and losses that may be suffered by you, users or any third party, resulting from the use of the SanKen Products in the Specific Applications or in manner not in compliance with the instructions set forth herein.
- In the event of using the SanKen Products by either (i) combining other products or materials therewith or (ii) physically, chemically or otherwise processing or treating the same, you must duly consider all possible risks that may result from all such uses in advance and proceed therewith at your own responsibility.
- Although SanKen is making efforts to enhance the quality and reliability of its products, it is impossible to completely avoid the occurrence of any failure or defect in semiconductor products at a certain rate. You must take, at your own responsibility, preventative measures including using a sufficient safety design and confirming safety of any equipment or systems in/for which the SanKen Products are used, upon due consideration of a failure occurrence rate or derating, etc., in order not to cause any human injury or death, fire accident or social harm which may result from any failure or malfunction of the SanKen Products. Please refer to the relevant specification documents and SanKen's official website in relation to derating.
- No anti-radioactive ray design has been adopted for the SanKen Products.
- No contents in this document can be transcribed or copied without SanKen's prior written consent.
- The circuit constant, operation examples, circuit examples, pattern layout examples, design examples, recommended examples, all information and evaluation results based thereon, etc., described in this document are presented for the sole purpose of reference of use of the SanKen Products and SanKen assumes no responsibility whatsoever for any and all damages and losses that may be suffered by you, users or any third party, or any possible infringement of any and all property rights including intellectual property rights and any other rights of you, users or any third party, resulting from the foregoing.
- All technical information described in this document (the "Technical Information") is presented for the sole purpose of reference of use of the SanKen Products and no license, express, implied or otherwise, is granted hereby under any intellectual property rights or any other rights of SanKen.
- Unless otherwise agreed in writing between SanKen and you, SanKen makes no warranty of any kind, whether express or implied, including, without limitation, any warranty (i) as to the quality or performance of the SanKen Products (such as implied warranty of merchantability, or implied warranty of fitness for a particular purpose or special environment), (ii) that any SanKen Product is delivered free of claims of third parties by way of infringement or the like, (iii) that may arise from course of performance, course of dealing or usage of trade, and (iv) as to any information contained in this document (including its accuracy, usefulness, or reliability).
- In the event of using the SanKen Products, you must use the same after carefully examining all applicable environmental laws and regulations that regulate the inclusion or use of any particular controlled substances, including, but not limited to, the EU RoHS Directive, so as to be in strict compliance with such applicable laws and regulations.
- You must not use the SanKen Products or the Technical Information for the purpose of any military applications or use, including but not limited to the development of weapons of mass destruction. In the event of exporting the SanKen Products or the Technical Information, or providing them for non-residents, you must comply with all applicable export control laws and regulations in each country including the U.S. Export Administration Regulations (EAR) and the Foreign Exchange and Foreign Trade Act of Japan, and follow the procedures required by such applicable laws and regulations.
- SanKen assumes no responsibility for any troubles, which may occur during the transportation of the SanKen Products including the falling thereof, out of SanKen's distribution network.
- Although SanKen has prepared this document with its due care to pursue the accuracy thereof, SanKen does not warrant that it is error free and SanKen assumes no liability whatsoever for any and all damages and losses which may be suffered by you resulting from any possible errors or omissions in connection with the contents included herein.
- Please refer to the relevant specification documents in relation to particular precautions when using the SanKen Products, and refer to our official website in relation to general instructions and directions for using the SanKen Products.

DSGN-CEZ-16001