



Chipsmall Limited consists of a professional team with an average of over 10 year of expertise in the distribution of electronic components. Based in Hongkong, we have already established firm and mutual-benefit business relationships with customers from,Europe,America and south Asia,supplying obsolete and hard-to-find components to meet their specific needs.

With the principle of “Quality Parts,Customers Priority,Honest Operation,and Considerate Service”,our business mainly focus on the distribution of electronic components. Line cards we deal with include Microchip,ALPS,ROHM,Xilinx,Pulse,ON,Everlight and Freescale. Main products comprise IC,Modules,Potentiometer,IC Socket,Relay,Connector.Our parts cover such applications as commercial,industrial, and automotives areas.

We are looking forward to setting up business relationship with you and hope to provide you with the best service and solution. Let us make a better world for our industry!



## Contact us

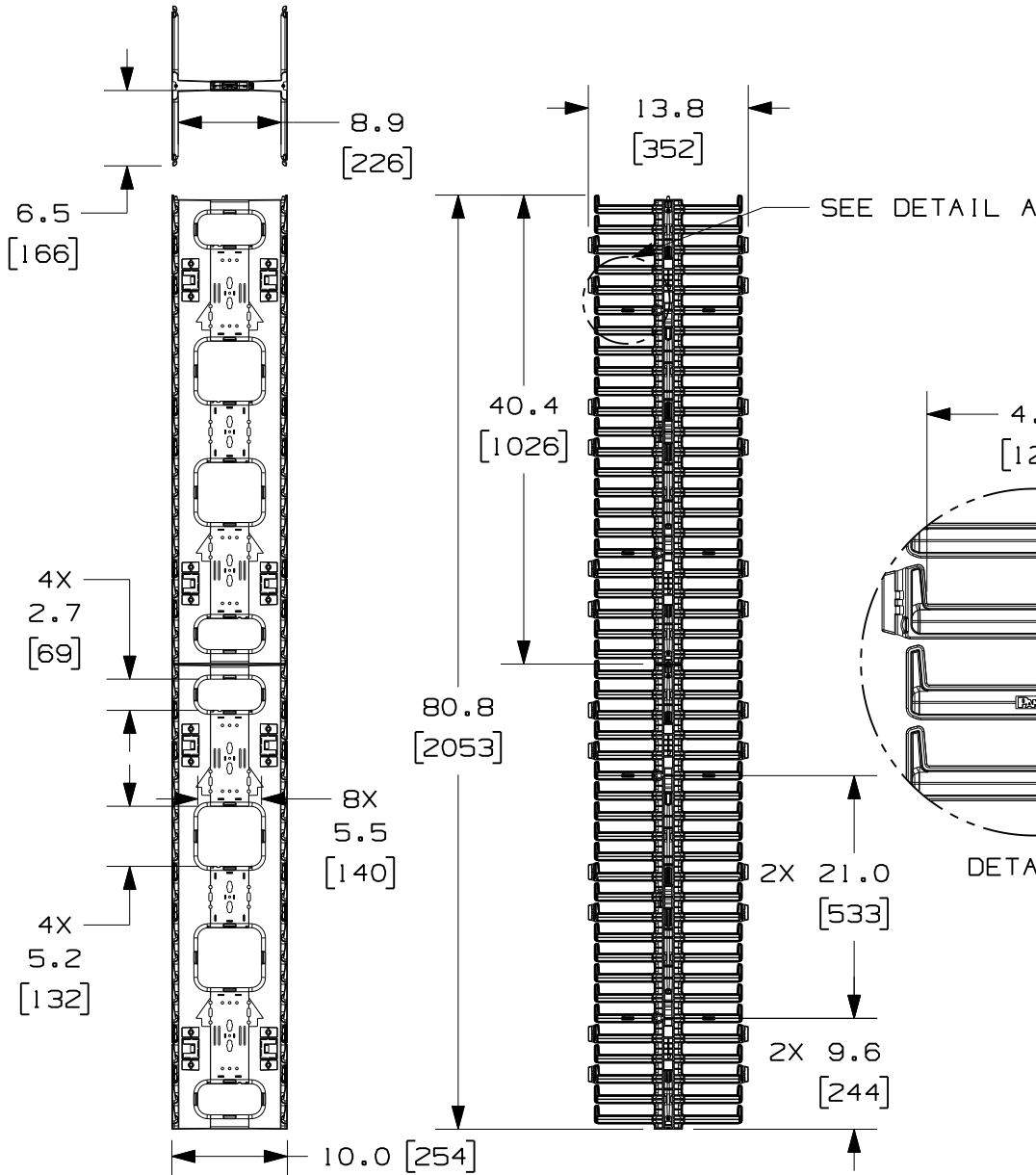
Tel: +86-755-8981 8866 Fax: +86-755-8427 6832

Email & Skype: info@chipsmall.com Web: www.chipsmall.com

Address: A1208, Overseas Decoration Building, #122 Zhenhua RD., Futian, Shenzhen, China



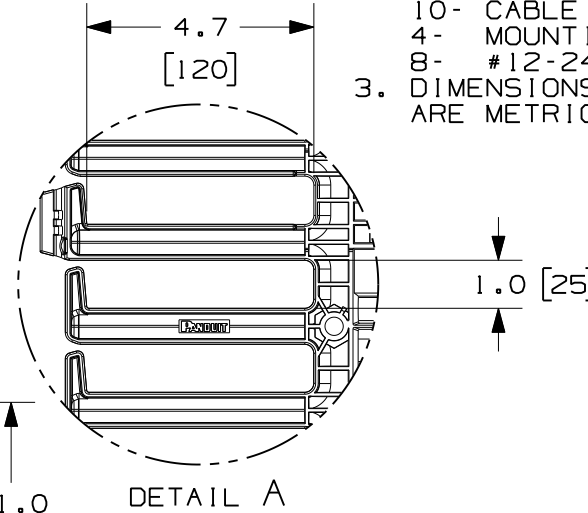
THIS COPY IS PROVIDED ON A RESTRICTED BASIS AND IS NOT TO BE USED IN ANY WAY DETRIMENTAL TO THE INTERESTS OF PANDUIT CORP.



PANDUIT P/N	WEIGHT
NRV10	18.7 LBS/EACH 8.50 Kg/EACH

NOTES:

- VISIT OUR ON-LINE CATALOG AT [WWW.PANDUIT.COM](http://WWW.PANDUIT.COM) FOR A CURRENT LIST OF PRODUCTS APPLICABLE FOR USE WITH THIS PART.
- COMPONENTS:  
2- 22.5RU CABLE MANAGEMENT SECTIONS  
10- CABLE RETAINERS  
4- MOUNTING BRACKETS  
8- #12-24 X 1/2" SCREWS
- DIMENSIONS IN PARENTHESIS ARE METRIC.

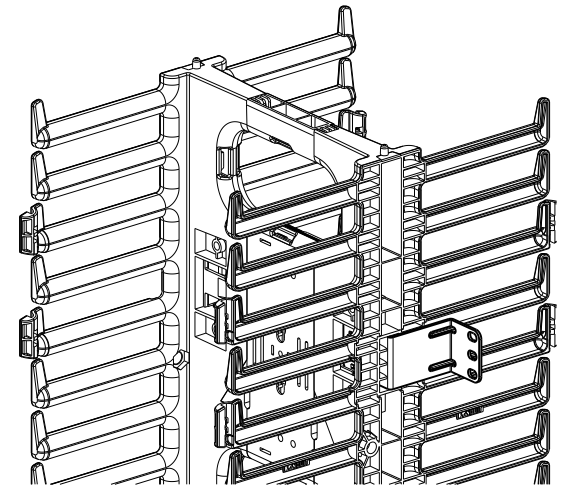
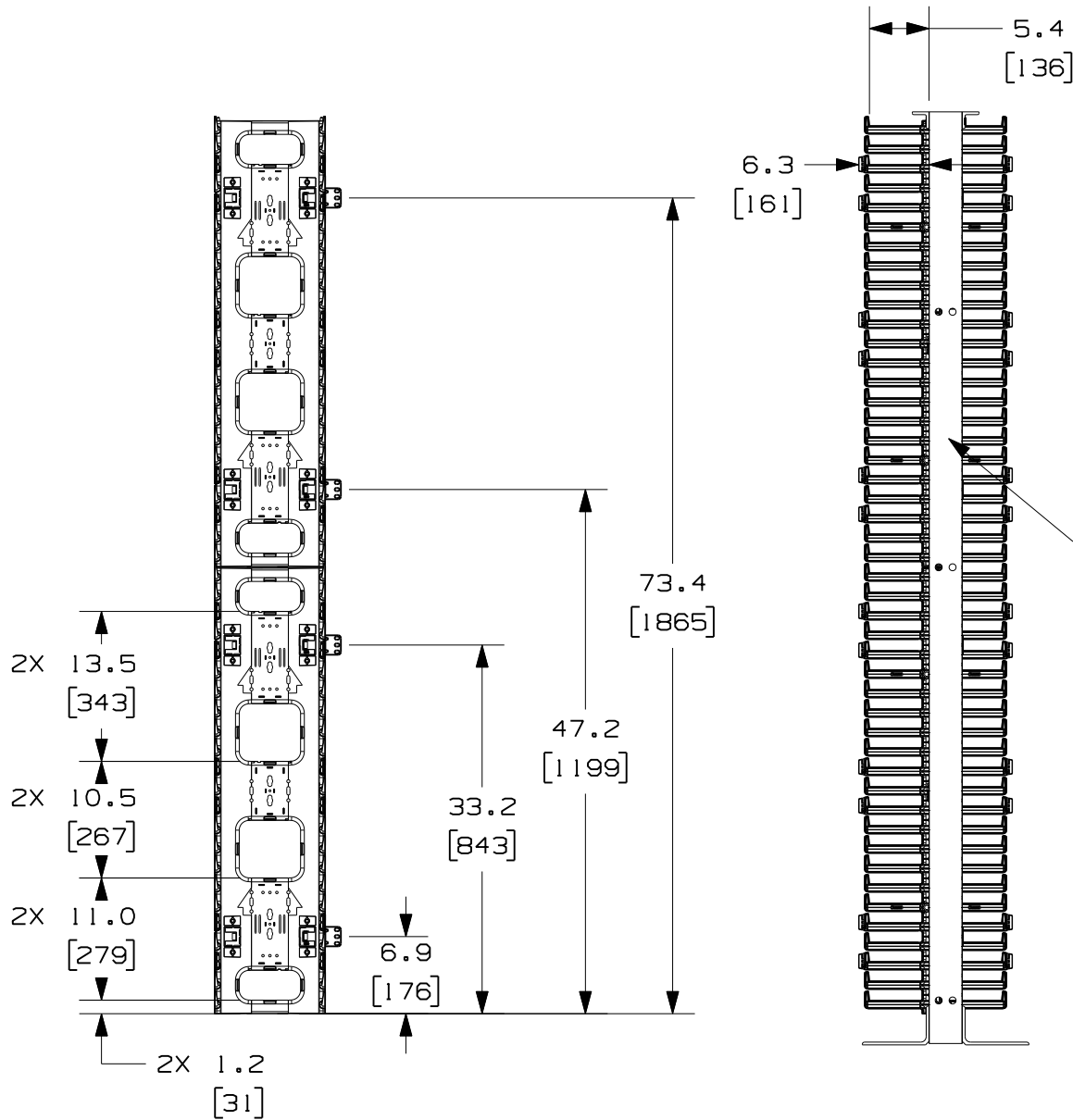


MODEL FILENAME	V10661AD/01
CAD FILENAME/LAYERS	V10661AD_DC/01A
<b>PANDUIT</b> CORP. TINLEY PARK, ILLINOIS	
NETRUNNER HIGH CAPACITY VERTICAL MANAGER, FRONT AND BACK, 10" WIDE (NRV10) CUSTOMER DRAWING	

REV	DATE	BY	CHK	DESCRIPTION	ECN	R	CUST	SUP	OTH
O1A	12-14-10	BAME	NAGL	PROJECTION UPDATED	V10661AD-DC				
OOA	3-6-09	BAME	NAGL	RELEASED	V10661AD-DC				

UNLESS OTHERWISE SPECIFIED, DIMENSIONAL TOLERANCES ARE: (.X) ± (.XXX) ± (.XX) ± ANGLES ±		UNLESS OTHERWISE SPECIFIED, ALL DIMENSIONS ARE GIVEN IN INCHES, THIRD ANGLE PROJECTION.	
DRAWN BY BAME	MAT'L:	SCALE NONE	
DATE 3-6-09	CABLE MANAGER- ABS CABLE RETAINER- POLYCARBONATE	DRAWING NO. V10661AD-DC	DWG A
CHK'D NAGL		SHEET 1 OF 2	SIZE

THIS COPY IS PROVIDED ON A RESTRICTED BASIS AND IS NOT TO BE USED IN ANY WAY DETRIMENTAL TO THE INTERESTS OF PANDUIT CORP.



CMR19X84 RACK

MODEL FILENAME	V10661AD/01
CAD FILENAME/LAYERS	V10661AD_DC/01A
<h1>PANDUIT</h1> CORP. TINLEY PARK, ILLINOIS	
NETRUNNER HIGH CAPACITY VERTICAL MANAGER, FRONT AND BACK, 10" WIDE (NRV10) CUSTOMER DRAWING	
UNLESS OTHERWISE SPECIFIED, DIMENSIONAL TOLERANCES ARE: (.X) ± (.XXX) ± (.XX) ± ANGLES ±	UNLESS OTHERWISE SPECIFIED, ALL DIMENSIONS ARE GIVEN IN INCHES, THIRD ANGLE PROJECTION.

REV	DATE	BY	CHK	DESCRIPTION	ECN	R	CUST	SUP	OTH
O1A	12-14-10	BAME	NAGL	SEE SHEET 1 OF 2 FOR REVISIONS	V10661AD-DC				
O0A	3-6-09	BAME	NAGL	SEE SHEET 1 OF 2 FOR REVISIONS	V10661AD-DC				

DRAWN BY BAME	MAT'L: CABLE MANAGER- ABS CABLE RETAINER- POLYCARBONATE	SCALE NONE
DATE 3-6-09	CHK'D NAGL	DRAWING NO. V10661AD-DC SHEET 2 OF 2
		DWG A SIZE