



Chipsmall Limited consists of a professional team with an average of over 10 year of expertise in the distribution of electronic components. Based in Hongkong, we have already established firm and mutual-benefit business relationships with customers from,Europe,America and south Asia,supplying obsolete and hard-to-find components to meet their specific needs.

With the principle of "Quality Parts,Customers Priority,Honest Operation,and Considerate Service",our business mainly focus on the distribution of electronic components. Line cards we deal with include Microchip,ALPS,ROHM,Xilinx,Pulse,ON,Everlight and Freescale. Main products comprise IC,Modules,Potentiometer,IC Socket,Relay,Connector.Our parts cover such applications as commercial,industrial, and automotives areas.

We are looking forward to setting up business relationship with you and hope to provide you with the best service and solution. Let us make a better world for our industry!



Contact us

Tel: +86-755-8981 8866 Fax: +86-755-8427 6832

Email & Skype: info@chipsmall.com Web: www.chipsmall.com

Address: A1208, Overseas Decoration Building, #122 Zhenhua RD., Futian, Shenzhen, China



NS3L500

3.3V, 8-Channel, 2:1 Gigabit Ethernet LAN Switch with LED Switch

The NS3L500 is a 8-channel 2:1 LAN switch with 3 additional built-in SPDT switches for LED routing. This switch is ideal for Gigabit LAN applications due to its low ON-state resistance and capacitance giving the switch a typical bandwidth of 800 MHz. The switch also has excellent ON-state resistance match, low bit-to-bit skew, and low crosstalk among channels. The switch is bidirectional and offers little or no attenuation of the high-speed signals at the outputs.

This part can be used to replace mechanical relays in low-voltage LAN applications that interface a physical layer over CAT 5 or CAT 6 unshielded twisted pair cable through an isolation transformer. The NS3L500 is available in a 56-pin WQFN package and operates over the extended -40°C to $+85^{\circ}\text{C}$ temperature range.

Features

- V_{CC} Operating Range: +3.0 V to +3.6 V
- Low ON-State Resistance ($R_{ON} = 4 \Omega$ Typical)
- Low ON-State Capacitance ($C_{ON} = 7 \text{ pF}$ Typical)
- Flat ON-State Resistance ($R_{ON}(\text{flat}) = 0.5 \Omega$ Typical)
- Wide Bandwidth (800 MHz Typical)
- Low Crosstalk ($X_{TALK} = -37 \text{ dB}$ Typical)
- Near-Zero Propagation Delay: 250 ps
- Low Bit-to-Bit Skew ($t_{sk(o)} = 100 \text{ ps Max}$)
- Three SPDT Channels for LED Signal Switching
- Packaging: 56-Pin WQFN
- Pin-to-Pin Compatible with PI3L500-A, TS3L500AE and MAX4927
- These Devices are Pb-Free, Halogen Free/BFR Free and are RoHS Compliant

Typical Applications

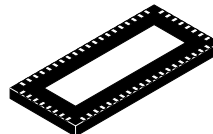
- 10/100/1000 Base-T Ethernet Signal Switching
- Notebooks and Docking Stations
- Hub and Router Signal Switching
- Differential (LVDS, LVPECL) Signal Switching



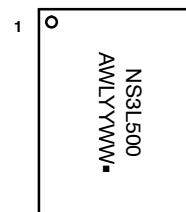
ON Semiconductor®

<http://onsemi.com>

MARKING DIAGRAMS



WQFN56
MT SUFFIX
CASE 510AK

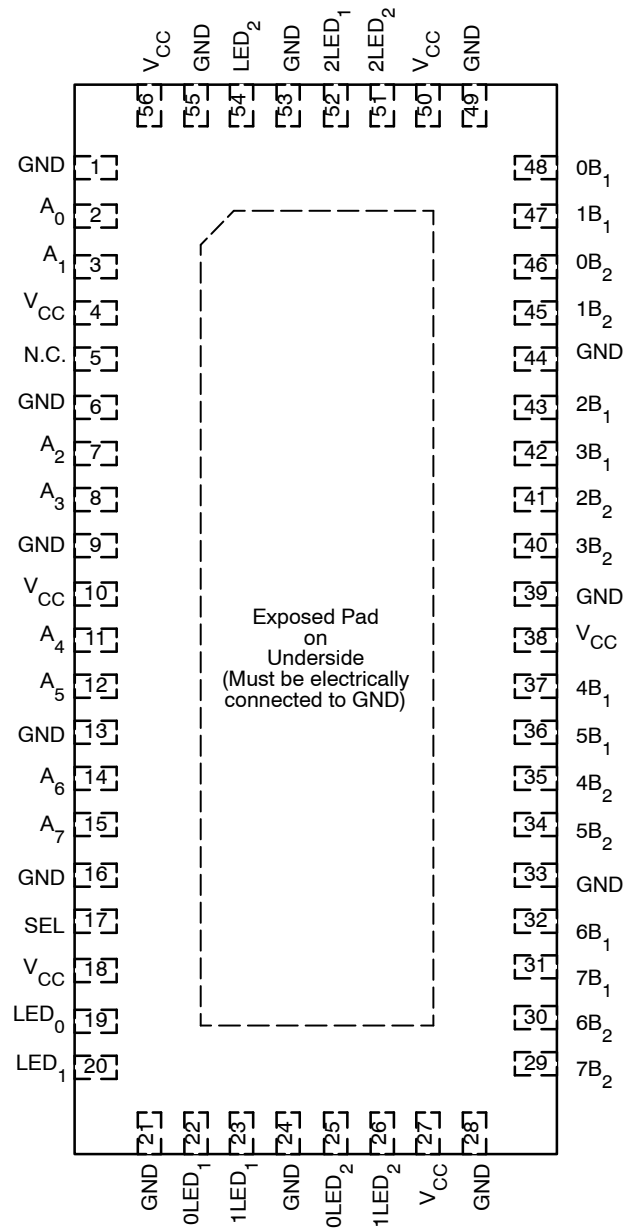


- A = Assembly Location
- WL = Wafer Lot
- YY = Year
- WW = Work Week
- = Pb-Free Package

ORDERING INFORMATION

See detailed ordering and shipping information in the package dimensions section on page 9 of this data sheet.

NS3L500



**Figure 1. Pinout
(Top View)**

NS3L500

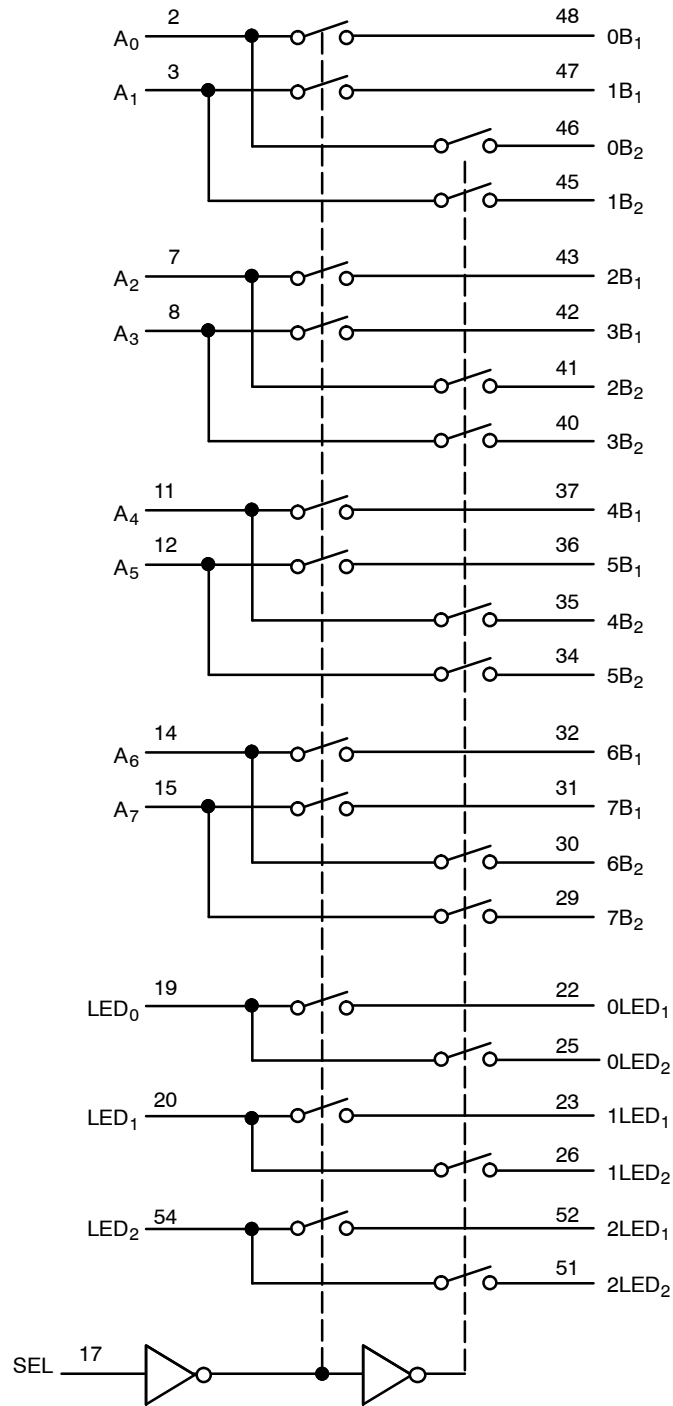


Figure 2. Block Diagram

PIN DESCRIPTION

Pin Name	Description
A_x	Data I/Os
xB_y	Data I/Os
SEL	Select Input
LED_x	LED I/O Port
$xLED_y$	LED I/O Port

TRUTH TABLE

SEL	Function
L	A_x to xB_1 : LED_x to $xLED_1$
H	A_x to xB_2 : LED_x to $xLED_2$

NS3L500

MAXIMUM RATINGS

Symbol	Pins	Parameter	Value	Unit
V _{CC}	V _{CC}	Positive DC Supply Voltage	-0.5 to +5.5	V
V _{IN}	SEL	Control Input Voltage	-0.5 to +5.5	V
V _{I/O}	A _X , xB _Y , LED _X , xLED _Y	Switch I/O Voltage Range	-0.5 to V _{CC} +0.5	V
I _{CC}	V _{CC}	DC Output Current	± 120	mA
I _{IK}	SEL	Control Input Clamp Current	-50	mA
I _{I/O}	A _X , xB _Y , LED _X , xLED _Y	ON-State Switch Current	± 120	mA
R _{θJA}		Thermal Resistance, Junction-to-Air	125	°C/W
T _S		Storage Temperature	-65 to +150	°C

Stresses exceeding Maximum Ratings may damage the device. Maximum Ratings are stress ratings only. Functional operation above the Recommended Operating Conditions is not implied. Extended exposure to stresses above the Recommended Operating Conditions may affect device reliability.

RECOMMENDED OPERATING CONDITIONS

Symbol	Pins	Parameter	Value	Unit
V _{CC}	V _{CC}	Positive DC Supply Voltage	+3.0 to +3.6	V
V _{IN}	SEL	Control Input Voltage	0 to +5.5	V
V _{I/O}	A _X , xB _Y , LED _X , xLED _Y	Switch I/O Voltage Range	0 to V _{CC}	V
T _A		Operating Temperature	-40 to +85	°C

Minimum and maximum values are guaranteed through test or design across the Recommended Operating Conditions, where applicable. Typical values are listed for guidance only and are based on the particular conditions listed for section, where applicable. These conditions are valid for all values found in the characteristics tables unless otherwise specified in the test conditions.

NS3L500

DC ELECTRICAL CHARACTERISTICS (Typical: T = 25°C, V_{CC} = 3.3 V)

Symbol	Pins	Parameters	Conditions	-40°C to +85°C			Unit
				Min	Typ	Max	
1000 BASE-T ETHERNET SWITCHING							
V _{IH}	SEL	Control Input HIGH Voltage		2		5.5	V
V _{IL}	SEL	Control Input LOW Voltage		-0.5		0.8	V
V _{IK}	SEL	Clamp Diode Voltage	V _{CC} = Max, I _{IN} = -18 mA		-0.7	-1.2	V
I _{IH}	SEL	Input HIGH Current	V _{CC} = Max, V _{IN} = V _{CC}	-1		+1	μA
I _{IL}	SEL	Input LOW Current	V _{CC} = Max, V _{IN} = GND	-1		+1	μA
I _{OFF}	SEL	Off-Leakage Current	V _{CC} = 0 V, V _{IN} = 0 V to 3.6 V			±1.5	μA
I _{CC}	V _{CC}	Quiescent Supply Current	V _{CC} = 3.6 V, V _{IN} = V _{CC} or GND, I _O = 0 mA		250	600	μA
I _{LA(OFF)}	A _X , xB _Y	Off-Leakage Current	V _{CC} = 3.6 V, V _{A_X} = 0.3 V, 3.3 V; V _{x_B1} or V _{x_B2} = 3.3 V, 0.3 V	-1		+1	μA
I _{LA(ON)}	A _X , xB _Y	On-Leakage Current	V _{CC} = 3.6 V, V _{A_X} = 0.3 V, 3.3 V; V _{x_B1} or V _{x_B2} = 0.3 V, 3.3 V, or floating	-1		+1	μA
R _{ON}	A _X , xB _Y	On-Resistance	V _{CC} = 3 V, 1.5 V ≤ V _{IN} ≤ V _{CC} , I _O = -40 mA		4	7	Ω
R _{ON(FLAT)}	A _X , xB _Y	On-Resistance Flatness	V _{CC} = 3 V, V _{IN} = 1.5 V and V _{CC} , I _O = -40 mA		0.5		Ω
ΔR _{ON}	A _X , xB _Y	On-Resistance Match Between Switch Pairs	V _{CC} = 3 V, 1.5 V ≤ V _{IN} ≤ V _{CC} , I _O = -40 mA		0.4	1	Ω

10/100 BASE-T ETHERNET SWITCHING

V _{IH}	SEL	Control Input HIGH Voltage		2		5.5	V
V _{IL}	SEL	Control Input LOW Voltage		-0.5		0.8	V
V _{IK}	SEL	Clamp Diode Voltage	V _{CC} = Max, I _{IN} = -18 mA		-0.7	-1.2	V
I _{IH}	SEL	Input HIGH Current	V _{CC} = Max, V _{IN} = V _{CC}	-1		+1	μA
I _{IL}	SEL	Input LOW Current	V _{CC} = Max, V _{IN} = GND	-1		+1	μA
I _{OFF}	SEL	Off-Leakage Current	V _{CC} = 0 V, V _{IN} = 0 V to 3.6 V			±1.5	μA
I _{CC}	V _{CC}	Quiescent Supply Current	V _{CC} = 3.6 V, V _{IN} = V _{CC} or GND, I _O = 0 mA		250	600	μA
I _{LA(OFF)}	A _X , xB _Y	Off-Leakage Current	V _{CC} = 3.6 V, V _{A_X} = 0.3 V, 3.3 V; V _{x_B1} or V _{x_B2} = 3.3 V, 0.3 V	-1		+1	μA
I _{LA(ON)}	A _X , xB _Y	On-Leakage Current	V _{CC} = 3.6 V, V _{A_X} = 0.3 V, 3.3 V; V _{x_B1} or V _{x_B2} = 0.3 V, 3.3 V, or floating	-1		+1	μA
R _{ON}	A _X , xB _Y	On-Resistance	V _{CC} = 3 V, 1.25 V ≤ V _{IN} ≤ V _{CC} , I _O = -10 mA to -30 mA		4	6	Ω
R _{ON(FLAT)}	A _X , xB _Y	On-Resistance Flatness	V _{CC} = 3 V, V _{IN} = 1.25 V and V _{CC} , I _O = -10 mA to -30 mA		0.5		Ω
ΔR _{ON}	A _X , xB _Y	On-Resistance Match Between Switch Pairs	V _{CC} = 3 V, 1.25 V ≤ V _{IN} ≤ V _{CC} , I _O = -10 mA to -30 mA		0.4	1	Ω

NS3L500

DC ELECTRICAL CHARACTERISTICS (Typical: T = 25°C, V_{CC} = 3.3 V)

Symbol	Pins	Parameters	Conditions	-40°C to +85°C			Unit
				Min	Typ	Max	
LED SWITCHING							
R _{ON}	LED _X , xLED _Y	On-Resistance	V _{CC} = 3 V, 1.25 V ≤ V _{IN} ≤ V _{CC} , I _O = -40 mA		15	25	Ω
R _{ON(FLAT)}	LED _X , xLED _Y	On-Resistance Flatness	V _{CC} = 3 V, V _{IN} = 1.25 V and V _{CC} , I _O = -40 mA		8		Ω
ΔR _{ON}	LED _X , xLED _Y	On-Resistance Match Between Switch Pairs	V _{CC} = 3 V, 1.25 V ≤ V _{IN} ≤ V _{CC} , I _O = -40 mA		1	2	Ω

AC ELECTRICAL CHARACTERISTICS (Typicals: T = 25°C, V_{CC} = 3.3 V)*

Symbol	Pins	Parameters	Conditions	-40°C to +85°C			Unit
				Min	Typ	Max	
SWITCHING CHARACTERISTICS							
t _{PLH} , t _{PHL}	A _X , xB _Y	Propagation Delay	V _{CC} = 3.0 V to 3.6 V (Figure 3)		0.25		ns
t _{ON}	SEL, xLED _Y	Line Enable Time – SEL to xLED _Y	Output: Closed to Open V _{CC} = 3.0 V to 3.6 V (Figure 4)	0.5		15	ns
	SEL, xB _Y	Lines Enable Time – SEL to xB _Y		0.5		3	μs
t _{OFF}	SEL, xLED _Y	Line Enable Time – SEL to xLED _Y	Output: Open to Closed V _{CC} = 3.0 V to 3.6 V (Figure 4)	0.5		9	ns
	SEL, xB _Y	Lines Enable Time – SEL to xB _Y		0.5		35	ns
t _{SK(O)}	A _X , xB _Y	Output Skew between center port to any other port	V _{CC} = 3.0 V to 3.6 V (Calculated, Figure 3)		50	100	ps
t _{SK(P)}	A _X , xB _Y	Skew between opposite transition of the same output (t _{PHL} – t _{PLH})	V _{CC} = 3.0 V to 3.6 V (Calculated, Figure 3)		50	100	ps

DYNAMIC ELECTRICAL CHARACTERISTICS

BW	xB _Y , xLED _Y	-3 dB Bandwidth	R _L = 100 Ω (Figure 5)		800		MHz
O _{IRR}	A _X , LED _X	Off – Isolation	R _L = 100 Ω, f = 250 MHz (Figure 6)		-37		dB
X _{TALK}	A _X to xB _Y A _(X+2) to (X+2)B _Y	Crosstalk	R _L = 100 Ω, f = 250 MHz (Figure 7)		-37		dB

CAPACITANCE

C _{IN}	SEL	Control Pin Input Capacitance	V _{IN} = 0 V, f = 1 MHz		2	3	pF
C _{ON}	A _X , xB _Y	ON Capacitance	V _{IN} = 0 V, f = 1 MHz, Outputs Open, Switch ON		7	10	pF
C _{OFF}	xB _Y	B Port Switch Capacitance	V _{IN} = 0 V, f = 1 MHz, Outputs Open, Switch OFF		5	6	pF

*Guaranteed by design and/or characterization.

NS3L500

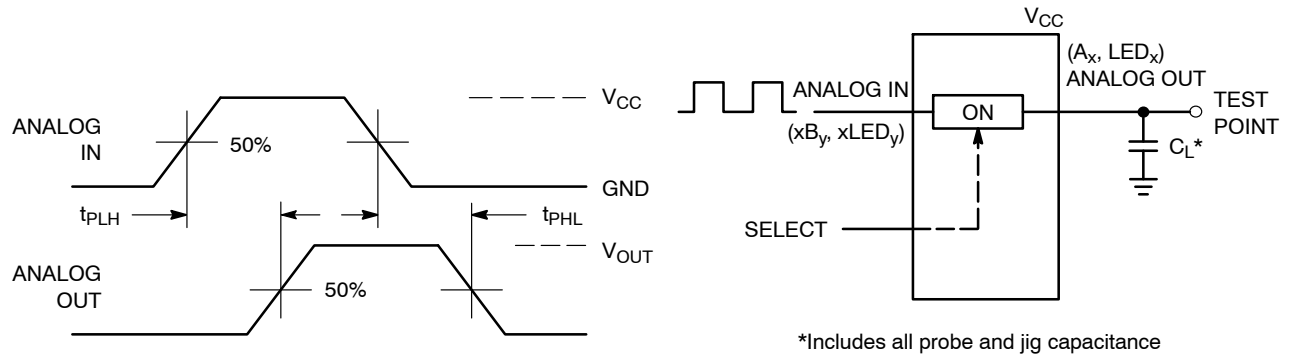


Figure 3. Propagation Delay

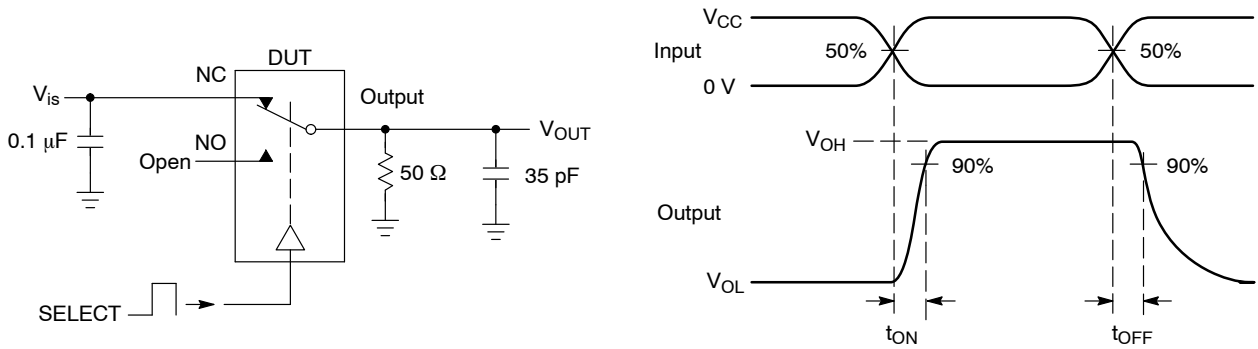


Figure 4. t_{ON}/t_{OFF}

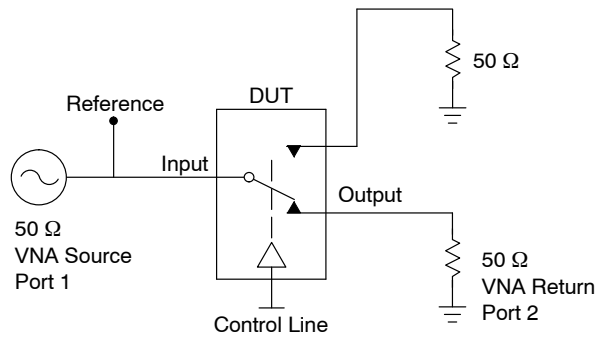


Figure 5. Bandwidth

NS3L500

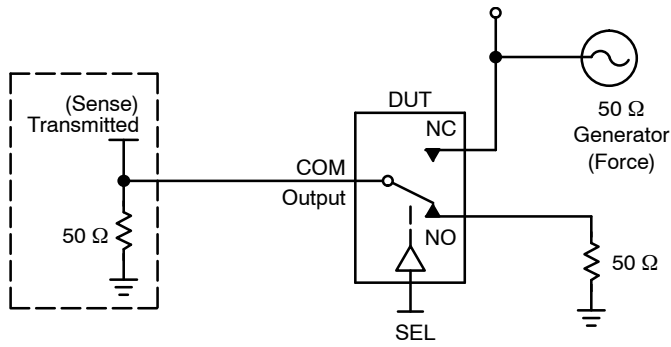
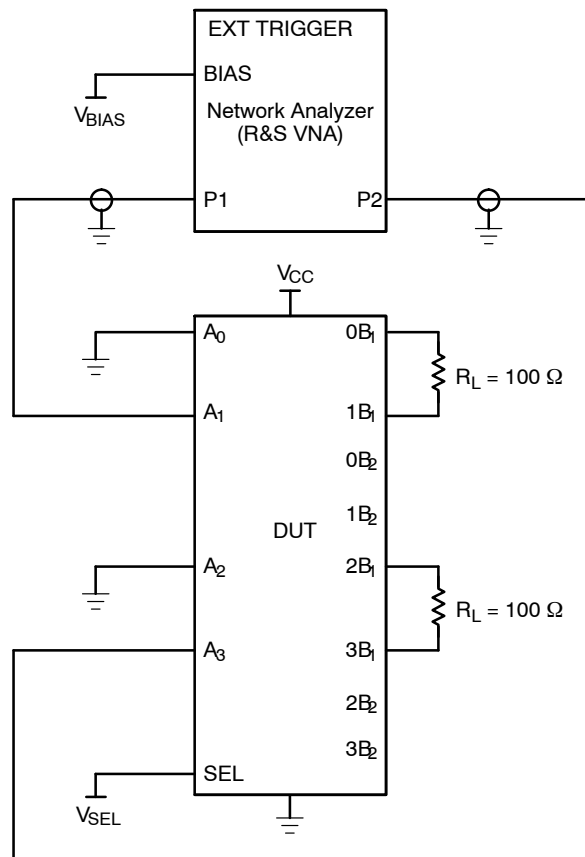


Figure 6. Off-Isolation



1. C_L includes probe and jig capacitance.
2. A $50\ \Omega$ termination resistor is needed to match the loading of the network analyzer.

Figure 7. Test Circuit for Crosstalk (X_{TALK})

Crosstalk is measured at the output of the nonadjacent ON channel. For example, when $V_{SEL} = 0$ and A_0 is the input, the output is measured at $1B_1$. All unused analog input (A) ports are connected to GND, and output (B) ports are connected to GND through $50\ \Omega$ pull-down resistors.

NS3L500

APPLICATION INFORMATION

Logic Inputs

The logic control inputs can be driven up to +3.6 V regardless of the supply voltage. For example, given a +3.3 V supply, the output enables or select pins may be driven low to 0 V and high to 3.6 V. Driving IN Rail-to-Rail® minimizes power consumption.

Power-Supply Sequencing

Proper power-supply sequencing is advised for all CMOS devices. It is recommended to always apply V_{CC} before applying signals to the input/output or control pins.

ORDERING INFORMATION

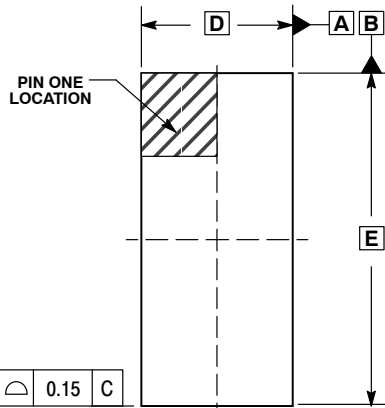
Device	Package	Shipping†
NS3L500MTTWG	WQFN56 (Pb-free)	2000 / Tape & Reel

†For information on tape and reel specifications, including part orientation and tape sizes, please refer to our Tape and Reel Packaging Specifications Brochure, BRD8011/D.

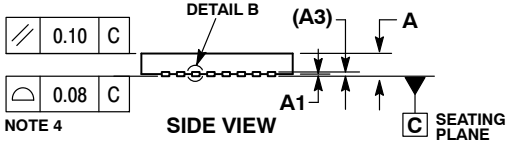
NS3L500

PACKAGE DIMENSIONS

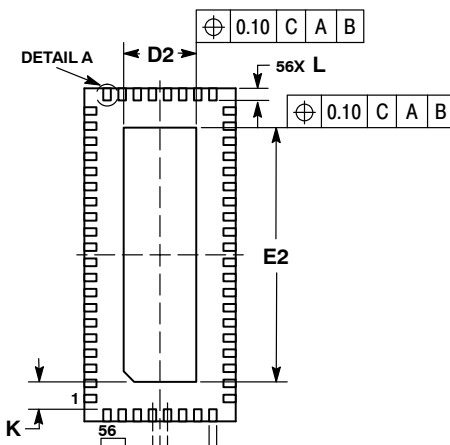
WQFN56 5x11, 0.5P
CASE 510AK-01
ISSUE A



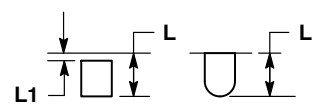
TOP VIEW



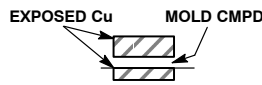
NOTE 4



BOTTOM VIEW



DETAIL A
ALTERNATE
CONSTRUCTIONS

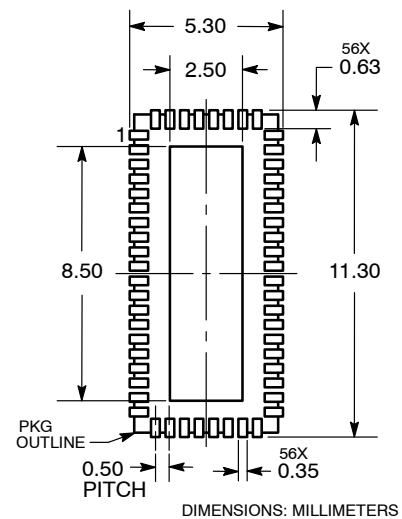


DETAIL B
ALTERNATE
CONSTRUCTION

- NOTES:
1. DIMENSIONING AND TOLERANCING PER ASME Y14.5M, 1994.
 2. CONTROLLING DIMENSIONS: MILLIMETERS.
 3. DIMENSION b APPLIES TO PLATED TERMINAL AND IS MEASURED BETWEEN 0.15 AND 0.30mm FROM THE TERMINAL TIP.
 4. COPLANARITY APPLIES TO THE EXPOSED PAD AS WELL AS THE TERMINALS.

DIM	MILLIMETERS	
	MIN	MAX
A	0.70	0.80
A1	---	0.05
A3	0.20 REF	
b	0.20	0.30
D	5.00 BSC	
D2	2.30	2.50
E	11.00 BSC	
E2	8.30	8.50
e	0.50 BSC	
K	0.20 MIN	
L	0.30	0.50
L1	---	0.15

RECOMMENDED SOLDERING FOOTPRINT*



DIMENSIONS: MILLIMETERS

*For additional information on our Pb-Free strategy and soldering details, please download the ON Semiconductor Soldering and Mounting Techniques Reference Manual, SOLDERRM/D.

Rail-to-Rail is a registered trademark of Nippon Motorola, Ltd.

ON Semiconductor and are registered trademarks of Semiconductor Components Industries, LLC (SCILLC). SCILLC reserves the right to make changes without further notice to any products herein. SCILLC makes no warranty, representation or guarantee regarding the suitability of its products for any particular purpose, nor does SCILLC assume any liability arising out of the application or use of any product or circuit, and specifically disclaims any and all liability, including without limitation special, consequential or incidental damages. "Typical" parameters which may be provided in SCILLC data sheets and/or specifications can and do vary in different applications and actual performance may vary over time. All operating parameters, including "Typicals" must be validated for each customer application by customer's technical experts. SCILLC does not convey any license under its patent rights nor the rights of others. SCILLC products are not designed, intended, or authorized for use as components in systems intended for surgical implant into the body, or other applications intended to support or sustain life, or for any other application in which the failure of the SCILLC product could create a situation where personal injury or death may occur. Should Buyer purchase or use SCILLC products for any such unintended or unauthorized application, Buyer shall indemnify and hold SCILLC and its officers, employees, subsidiaries, affiliates, and distributors harmless against all claims, costs, damages, and expenses, and reasonable attorney fees arising out of, directly or indirectly, any claim of personal injury or death associated with such unintended or unauthorized use, even if such claim alleges that SCILLC was negligent regarding the design or manufacture of the part. SCILLC is an Equal Opportunity/Affirmative Action Employer. This literature is subject to all applicable copyright laws and is not for resale in any manner.

PUBLICATION ORDERING INFORMATION

LITERATURE FULFILLMENT:
Literature Distribution Center for ON Semiconductor
P.O. Box 5163, Denver, Colorado 80217 USA
Phone: 303-675-2175 or 800-344-3860 Toll Free USA/Canada
Fax: 303-675-2176 or 800-344-3867 Toll Free USA/Canada
Email: orderlit@onsemi.com

N. American Technical Support: 800-282-9855 Toll Free USA/Canada
Europe, Middle East and Africa Technical Support:
Phone: 421 33 790 2910
Japan Customer Focus Center
Phone: 81-3-5773-3850

ON Semiconductor Website: www.onsemi.com
Order Literature: <http://www.onsemi.com/orderlit>
For additional information, please contact your local Sales Representative