



Chipsmall Limited consists of a professional team with an average of over 10 year of expertise in the distribution of electronic components. Based in Hongkong, we have already established firm and mutual-benefit business relationships with customers from,Europe,America and south Asia,supplying obsolete and hard-to-find components to meet their specific needs.

With the principle of “Quality Parts,Customers Priority,Honest Operation,and Considerate Service”,our business mainly focus on the distribution of electronic components. Line cards we deal with include Microchip,ALPS,ROHM,Xilinx,Pulse,ON,Everlight and Freescale. Main products comprise IC,Modules,Potentiometer,IC Socket,Relay,Connector.Our parts cover such applications as commercial,industrial, and automotives areas.

We are looking forward to setting up business relationship with you and hope to provide you with the best service and solution. Let us make a better world for our industry!



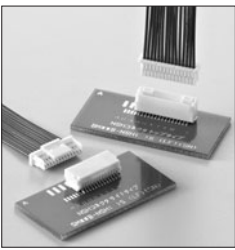
## Contact us

Tel: +86-755-8981 8866 Fax: +86-755-8427 6832

Email & Skype: info@chipsmall.com Web: www.chipsmall.com

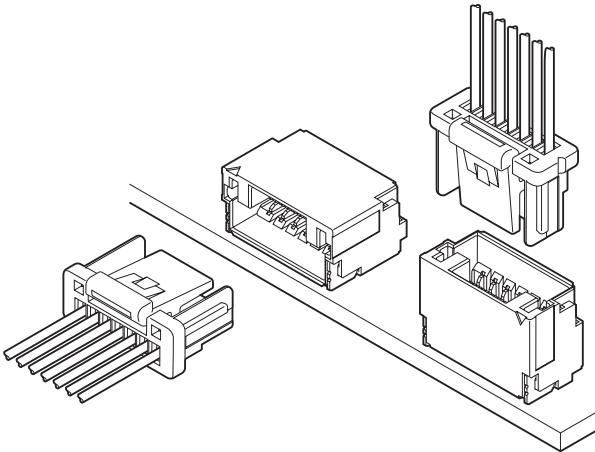
Address: A1208, Overseas Decoration Building, #122 Zhenhua RD., Futian, Shenzhen, China





# NSH CONNECTOR

1.0mm pitch/Disconnectable Crimp style connectors



**1.0mm pitch secure lock type connector. This low insertion force type connector realizes easier mating operation. The basic concept of the contact part of this connector is equivalent to the performance proven SHL connector.**

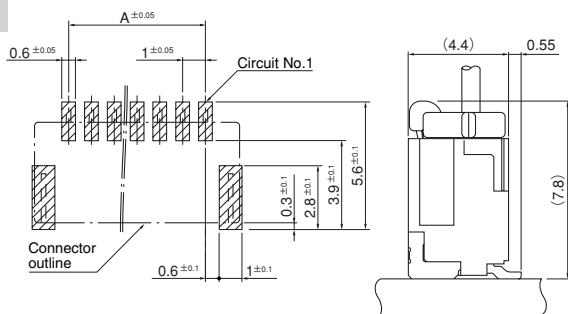
- Secure locking structure
- Contact lock structure
- Prevention of contact deformation
- Clear engagement click sounds

## Specifications

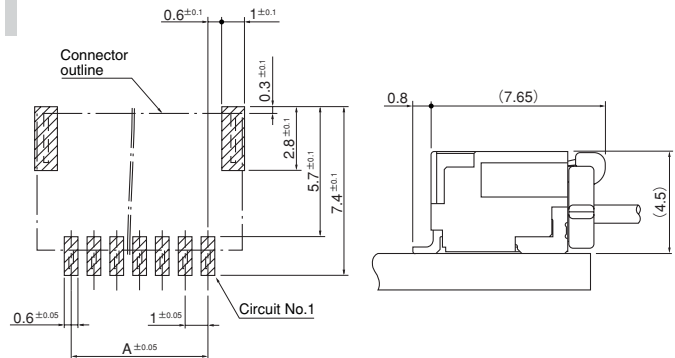
- Current rating: 1.0A AC, DC (AWG #28)
  - Voltage rating: 50V AC, DC
  - Temperature range: -25°C to +85°C  
(including temperature rise in applying electrical current)
  - Contact resistance: Initial value/30m Ω max.  
After environmental testing/50m Ω max.
  - Insulation resistance: 100M Ω min.
  - Withstanding voltage: 500V AC/minute
  - Applicable wire: Conductor size/AWG #32 to #28  
Insulation O.D./0.4 to 0.8mm
- \* Compliant with RoHS.  
\* Refer to "General Instruction and Notice when using Terminals and Connectors" at the end of this catalog.  
\* Contact JST for details.

## PC board layout (viewed from component side) and Assembly layout

### Top entry type

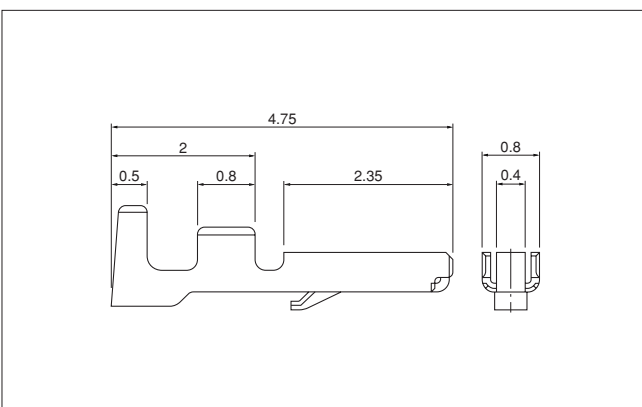


### Side entry type



Note: 1. Tolerances are non-cumulative:  $\pm 0.05\text{mm}$  for all centers.  
2. The dimensions above should serve as a guideline. Contact JST for details.

## Contact



| Model No.      | Applicable wire |       | Insulation O.D. (mm) | Q'ty / reel |
|----------------|-----------------|-------|----------------------|-------------|
|                | mm <sup>2</sup> | AWG#  |                      |             |
| SSHL-003T-P0.2 | 0.032~0.08      | 32~28 | 0.4~0.8              | 30,000      |

### Material and Finish

Phosphor bronze, tin-plated (reflow treatment)

### RoHS compliance

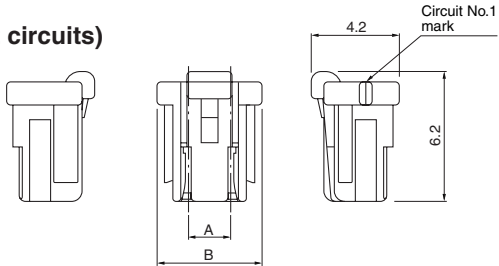
| Contact        | Crimping machine | Applicator       |                 |                            |
|----------------|------------------|------------------|-----------------|----------------------------|
|                |                  | Crimp applicator | Dies            | Crimp applicator with dies |
| SSHL-003T-P0.2 | AP-K2N           | MKS-L-10-3       | MK/SSH/L-003-02 | APLMK SSH/L003-02          |
|                |                  | *MKS-SC          | SC/SSH/L-003-02 | APLSC SSH/L003-02          |

Note: \*Strip-crimp applicator  
Contact JST for applicable wires in case that it is not usable due to wire size.

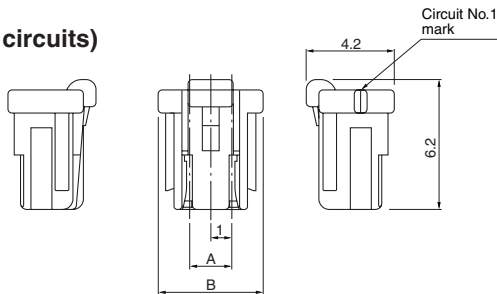
# NSH CONNECTOR

## Housing

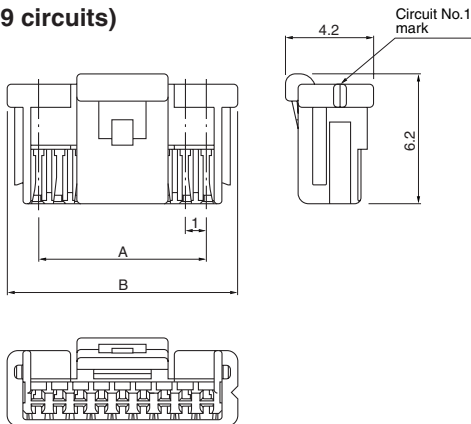
### (2 circuits)



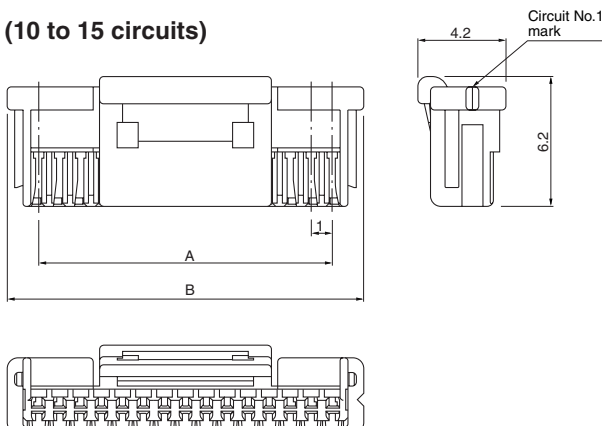
### (3 circuits)



### (4 to 9 circuits)



### (10 to 15 circuits)



| Circuits | Model No.  | Dimensions (mm) |      | Q'ty / bag |
|----------|------------|-----------------|------|------------|
|          |            | A               | B    |            |
| 2        | NSHR-02V-S | *2.0            | *5.0 | 3,000      |
| 3        | NSHR-03V-S | 2.0             | 5.0  | 3,000      |
| 4        | NSHR-04V-S | 3.0             | 6.0  | 2,500      |
| 5        | NSHR-05V-S | 4.0             | 7.0  | 2,000      |
| 6        | NSHR-06V-S | 5.0             | 8.0  | 1,500      |
| 7        | NSHR-07V-S | 6.0             | 9.0  | 1,500      |
| 8        | NSHR-08V-S | 7.0             | 10.0 | 1,500      |
| 9        | NSHR-09V-S | 8.0             | 11.0 | 1,000      |
| 10       | NSHR-10V-S | 9.0             | 12.0 | 1,000      |
| 11       | NSHR-11V-S | 10.0            | 13.0 | 1,000      |
| 12       | NSHR-12V-S | 11.0            | 14.0 | 1,000      |
| 13       | NSHR-13V-S | 12.0            | 15.0 | 1,000      |
| 14       | NSHR-14V-S | 13.0            | 16.0 | 1,000      |
| 15       | NSHR-15V-S | 14.0            | 17.0 | 1,000      |

### Material

PBT, UL94V-0, natural

### RoHS compliance

Note: 2 circuits product is that the second pin of 3 circuits product is plugged up. (Between circuits 2.0mm pitch)

<For reference> As the color identification, the following alphabet shall be put in the underlined part.

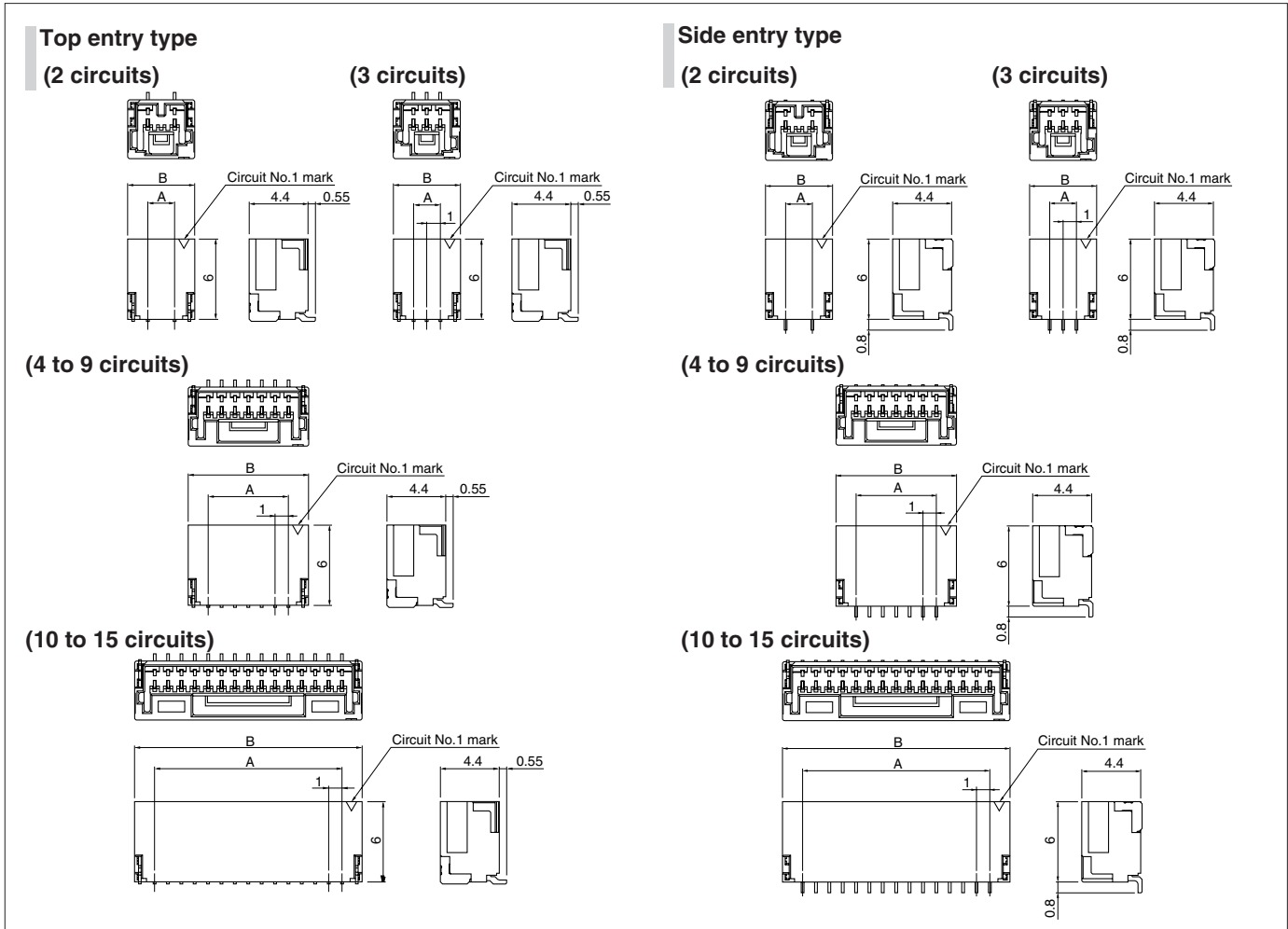
For availability, delivery and minimum order quantity, contact JST.

ex. **NSHR-02V-S**

S...natural Z...ivory TR...tomato red E...blue MG...moss green  
DH...dark gray LE...light blue K...black DPK...dark pink

# NSH CONNECTOR

## Shrouded header



### Top entry type

| Circuits | Model No.       | Dimensions (mm) |      | Q'ty / reel |
|----------|-----------------|-----------------|------|-------------|
|          |                 | A               | B    |             |
| 2        | BM02B-NSHSS-TBT | *2.0            | *5.0 | 1,000       |
| 3        | BM03B-NSHSS-TBT | 2.0             | 5.0  | 1,000       |
| 4        | BM04B-NSHSS-TBT | 3.0             | 6.0  | 1,000       |
| 5        | BM05B-NSHSS-TBT | 4.0             | 7.0  | 1,000       |
| 6        | BM06B-NSHSS-TBT | 5.0             | 8.0  | 1,000       |
| 7        | BM07B-NSHSS-TBT | 6.0             | 9.0  | 1,000       |
| 8        | BM08B-NSHSS-TBT | 7.0             | 10.0 | 1,000       |
| 9        | BM09B-NSHSS-TBT | 8.0             | 11.0 | 1,000       |
| 10       | BM10B-NSHSS-TBT | 9.0             | 12.0 | 1,000       |
| 11       | BM11B-NSHSS-TBT | 10.0            | 13.0 | 1,000       |
| 12       | BM12B-NSHSS-TBT | 11.0            | 14.0 | 1,000       |
| 13       | BM13B-NSHSS-TBT | 12.0            | 15.0 | 1,000       |
| 14       | BM14B-NSHSS-TBT | 13.0            | 16.0 | 1,000       |
| 15       | BM15B-NSHSS-TBT | 14.0            | 17.0 | 1,000       |

#### Material and Finish

Contact: Copper alloy, copper-undercoated, tin-plated (reflow treatment)  
 Wafer: Polyamide, UL94V-0, natural  
 Reinforcement: Copper alloy, copper-undercoated, tin-plated (reflow treatment)

**RoHS compliance** This product displays (LF)(SN) on a label.

Note: 1. This products listed above are supplied on embossed-tape/with suction tape.

2. 2 circuits product is that the second pin of 3 circuits product is plugged up. (Between circuits 2.0mm pitch)

<For reference> As the color identification, the following alphabet shall be put in the underlined part.

For availability, delivery and minimum order quantity, contact JST.

ex. **BM02B-NSHSS-TBT** **SM02B-NSHSS-TB**

S...natural Z...ivory TR...tomato red E...blue MG...moss green DH...dark gray LE...light blue K...black DPK...dark pink

### Side entry type

| Circuits | Model No.      | Dimensions (mm) |      | Q'ty / reel |
|----------|----------------|-----------------|------|-------------|
|          |                | A               | B    |             |
| 2        | SM02B-NSHSS-TB | *2.0            | *5.0 | 1,500       |
| 3        | SM03B-NSHSS-TB | 2.0             | 5.0  | 1,500       |
| 4        | SM04B-NSHSS-TB | 3.0             | 6.0  | 1,500       |
| 5        | SM05B-NSHSS-TB | 4.0             | 7.0  | 1,500       |
| 6        | SM06B-NSHSS-TB | 5.0             | 8.0  | 1,500       |
| 7        | SM07B-NSHSS-TB | 6.0             | 9.0  | 1,500       |
| 8        | SM08B-NSHSS-TB | 7.0             | 10.0 | 1,500       |
| 9        | SM09B-NSHSS-TB | 8.0             | 11.0 | 1,500       |
| 10       | SM10B-NSHSS-TB | 9.0             | 12.0 | 1,500       |
| 11       | SM11B-NSHSS-TB | 10.0            | 13.0 | 1,500       |
| 12       | SM12B-NSHSS-TB | 11.0            | 14.0 | 1,500       |
| 13       | SM13B-NSHSS-TB | 12.0            | 15.0 | 1,500       |
| 14       | SM14B-NSHSS-TB | 13.0            | 16.0 | 1,500       |
| 15       | SM15B-NSHSS-TB | 14.0            | 17.0 | 1,500       |

#### Material and Finish

Contact: Copper alloy, copper-undercoated, tin-plated (reflow treatment)  
 Wafer: Polyamide, UL94V-0, natural  
 Reinforcement: Copper alloy, copper-undercoated, tin-plated (reflow treatment)

**RoHS compliance** This product displays (LF)(SN) on a label.

Note: 1. This products listed above are supplied on embossed-tape/without suction tape.

2. 2 circuits product is that the second pin of 3 circuits product is plugged up. (Between circuits 2.0mm pitch)