



Chipsmall Limited consists of a professional team with an average of over 10 year of expertise in the distribution of electronic components. Based in Hongkong, we have already established firm and mutual-benefit business relationships with customers from,Europe,America and south Asia,supplying obsolete and hard-to-find components to meet their specific needs.

With the principle of “Quality Parts,Customers Priority,Honest Operation,and Considerate Service”,our business mainly focus on the distribution of electronic components. Line cards we deal with include Microchip,ALPS,ROHM,Xilinx,Pulse,ON,Everlight and Freescale. Main products comprise IC,Modules,Potentiometer,IC Socket,Relay,Connector.Our parts cover such applications as commercial,industrial, and automotives areas.

We are looking forward to setting up business relationship with you and hope to provide you with the best service and solution. Let us make a better world for our industry!



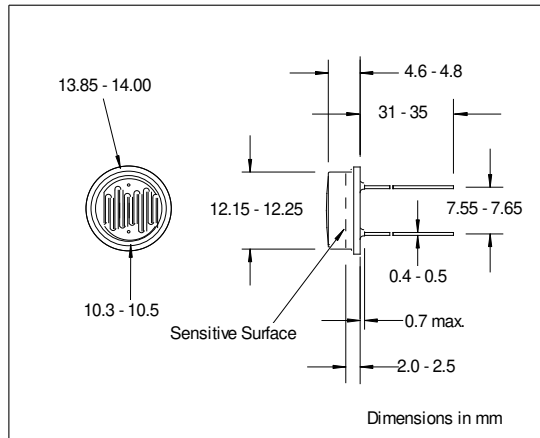
Contact us

Tel: +86-755-8981 8866 Fax: +86-755-8427 6832

Email & Skype: info@chipsmall.com Web: www.chipsmall.com

Address: A1208, Overseas Decoration Building, #122 Zhenhua RD., Futian, Shenzhen, China





FEATURES

- Passive resistance output
- Hermetic sealed

DESCRIPTION

The NSL-5910 is a light dependent resistor with sensitivity from visible light region. The photocell is contained in a TO-8 hermetically sealed package.

APPLICATIONS

- Industrial

ABSOLUTE MAXIMUM RATING

(TA)= 23°C UNLESS OTHERWISE NOTED

| SYMBOL | PARAMETER | MIN | MAX | UNITS |
|------------------|------------------------------|-----|------|-------|
| V _P | Voltage (peak AC or DC) | | 170 | V |
| P _d | Power Dissipation @ 25°C (1) | | 500 | mW |
| T _{Op} | Operating Temperature | -60 | +75 | °C |
| T _{Stg} | Storage Temperature | -60 | +75 | °C |
| T _S | Soldering Temperature (2) | | +260 | °C |

Note:

- (1) Derate linearly to 0 at 75°C
- (2) >0.08" from case for <5 sec.
- (3) Cells light adapted at 30 to 50 Ftc for 16 hrs minimum prior to electrical tests.
- (4) Print "NSL-5910" and date code "YYWW".

RELIABILITY

Contact API for recommendations on specific test conditions and procedures.

ELECTRO-OPTICAL CHARACTERISTICS

(TA)= 23°C, UNLESS OTHERWISE NOTED

| SYMBOL | CHARACTERISTIC | TEST CONDITIONS | MIN | TYP | MAX | UNITS |
|----------------|------------------|------------------------------------|-----|-----|-----|-------|
| R _L | Light Resistance | 2 ftc., 2854°K (3) | 1.0 | 1.5 | 2.0 | KΩ |
| | | 100 ftc., 2854°K (3) | | 150 | | Ω |
| R _D | Dark Resistance | 5 sec after removal of test light. | 100 | | | KΩ |
| λ _P | Spectral Peak | | | 550 | | nm |