



Chipsmall Limited consists of a professional team with an average of over 10 year of expertise in the distribution of electronic components. Based in Hongkong, we have already established firm and mutual-benefit business relationships with customers from,Europe,America and south Asia,supplying obsolete and hard-to-find components to meet their specific needs.

With the principle of “Quality Parts,Customers Priority,Honest Operation,and Considerate Service”,our business mainly focus on the distribution of electronic components. Line cards we deal with include Microchip,ALPS,ROHM,Xilinx,Pulse,ON,Everlight and Freescale. Main products comprise IC,Modules,Potentiometer,IC Socket,Relay,Connector.Our parts cover such applications as commercial,industrial, and automotives areas.

We are looking forward to setting up business relationship with you and hope to provide you with the best service and solution. Let us make a better world for our industry!



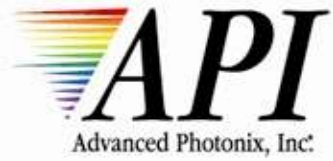
Contact us

Tel: +86-755-8981 8866 Fax: +86-755-8427 6832

Email & Skype: info@chipsmall.com Web: www.chipsmall.com

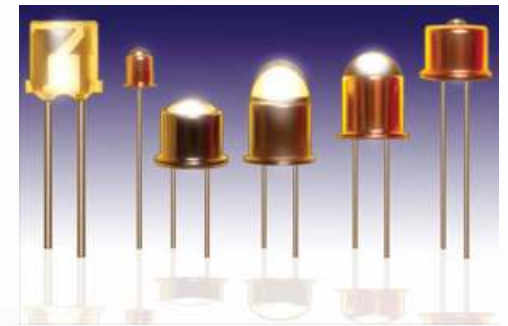
Address: A1208, Overseas Decoration Building, #122 Zhenhua RD., Futian, Shenzhen, China





Hermetic Packaged CdS

Advanced Photonix, Inc.
Product Overview



1

Hermetic Packages

- Advantages of Hermetic Packages
 - Environmental
 - Air
 - Moisture
 - Life of Photocell
 - Durability





TO-18 Photocells

Features

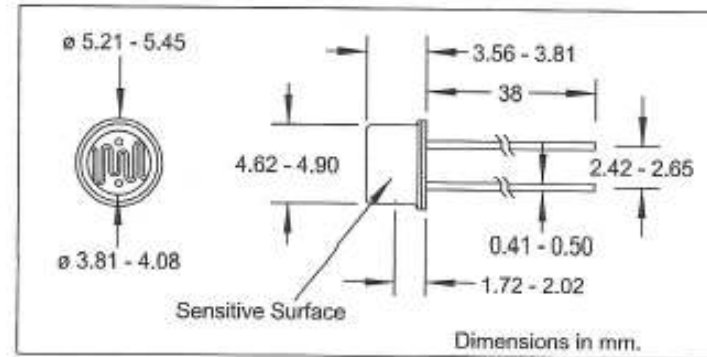
- Six Photoconductive Materials
- Tolerance: $\pm 40\%$ @ 1 ftc, $\pm 33\%$ @ 2 ftc

Description

The Silonex TO-18 hermetic flat lens package series of photocells provide up to seven standard resistance ranges in CdS or CdSe materials.

Absolute Maximum Ratings

Operating & Storage Temperature -60°C to $+75^{\circ}\text{C}$
 Power Dissipation @ 25°C (1) 50 mW



API Part Number	Sensitive Material	Spectral Peak (nm)	R @ 1 ftc (kohms)	R @ 2 ftc (Kohms)	R _{TYP} @ 100 ftc (Kohms)	Min R _{DARK} (Kohms)	V _{MAX} (Volts) (peak AC or DC)
NSL-5110	Type 5 CdS	550		10	.70	.67	100
NSL-5150	Type 5 CdS	550		15	.40	10	60
NSL-06S53		550	60			20	320



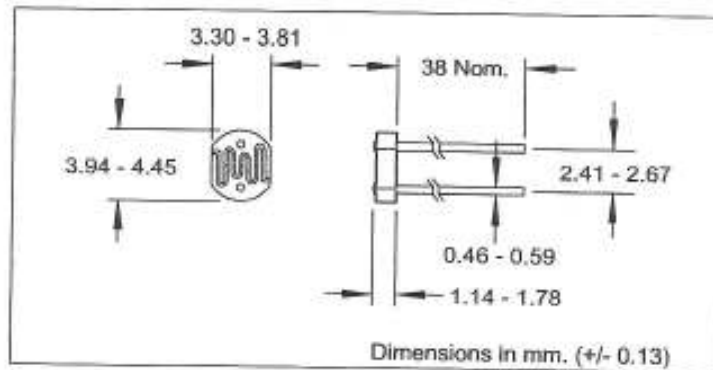
Plastic TO-18 Photocells

Features

- Five photoconductive materials
- Tolerance: $\pm 40\%$ @ 1 ftc, $\pm 33\%$ @ 2 ftc

Description

The Silonex TO-18 series of photoconductive cells provide up to seven standard resistance ranges in CdS or CdSe materials. These photocells are ceramic based with a moisture resistant plastic encapsulation. These devices are also available in a hermetic package.



API Part Number	Sensitive Material	Spectral Peak (nm)	R @ 1 ftc (kohms)	R @ 2 ftc (Kohms)	R _{TYP} @ 100 ftc (Kohms)	Min R _{DARK} (Kohms)	V _{MAX} (Volts) (peak AC or DC)
NORPS-12 Plastic TO-18	Type 5 CdS	550	5.4			1	250
NSL-19M51 Plastic TO-18	Type 5 CdS	550		.25	25	67	170
NSL-5162 Ceramic TO-18	Type 5 CdS	550		100	3000	67	100
NSL-6112 Ceramic TO-18	Type 6 CDS	690		2	170	1.3	100

TO-8 Photocells

Features

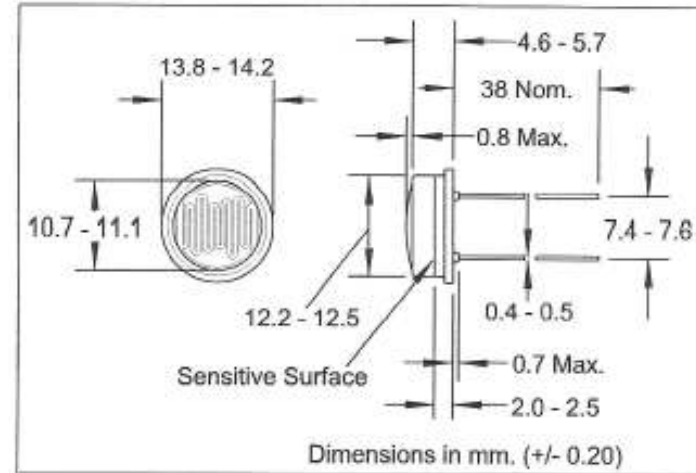
- Five Photoconductive Materials
- Tolerance: $\pm 40\%$ @ 1 ftc, $\pm 33\%$ @ 2 ftc

Description

The Silonex TO-8 series of photoconductive provide up to eight standard resistance ranges in CdS or CdSe materials.

Absolute Maximum Ratings

Operating & Storage Temperature -60°C to $+75^{\circ}\text{C}$
Power Dissipation @ 25°C (1) 500 mW



API Part Number	Sensitive Material	Spectral Peak (nm)	R @ 1 ftc (kohms)	R @ 2 ftc (Kohms)	R _{TYP} @ 100 ftc (Kohms)	Min R _{DARK} (Kohms)	V _{MAX} (Volts) (peak AC or DC)
NSL-4960	Type 4 CdS	515	17		500	1000	320
NSL-6910	Type 6 CdS	690		.25	25	67	170
NSL-7910	Type 7 CdS	615		7.5	800	1500	250



Applications

- Outdoor Light Sensing
 - Street Lights
 - Parking Lot Lights
 - Building Perimeter Lights
 - Outdoor Advertising Signs
 - Photosynthetic Monitoring
 - Solar Panels
 - Solar Tracking



API Contacts

East and Europe

Mark Anderson

manderson@advancedphotonix.com

978-948-2131 (office)

805-312-1179 (cell)

Central N.A.

Rick Madden

rmadden@advancedphotonix.com

469-287-2058 (office)

805-368-6714 (cell)

West and Asia

Tim Bodenhamer

tbodenhamer@advancedphotonix.com

714-617-4392 (office)

805-377-1585 (cell)

Advanced Photonix, Inc.

1240 Avenida Acaso

Camarillo, CA 93012

www.advancedphotonix.com

1-805-987-0146