



Chipsmall Limited consists of a professional team with an average of over 10 year of expertise in the distribution of electronic components. Based in Hongkong, we have already established firm and mutual-benefit business relationships with customers from,Europe,America and south Asia,supplying obsolete and hard-to-find components to meet their specific needs.

With the principle of “Quality Parts,Customers Priority,Honest Operation,and Considerate Service”,our business mainly focus on the distribution of electronic components. Line cards we deal with include Microchip,ALPS,ROHM,Xilinx,Pulse,ON,Everlight and Freescale. Main products comprise IC,Modules,Potentiometer,IC Socket,Relay,Connector.Our parts cover such applications as commercial,industrial, and automotives areas.

We are looking forward to setting up business relationship with you and hope to provide you with the best service and solution. Let us make a better world for our industry!



Contact us

Tel: +86-755-8981 8866 Fax: +86-755-8427 6832

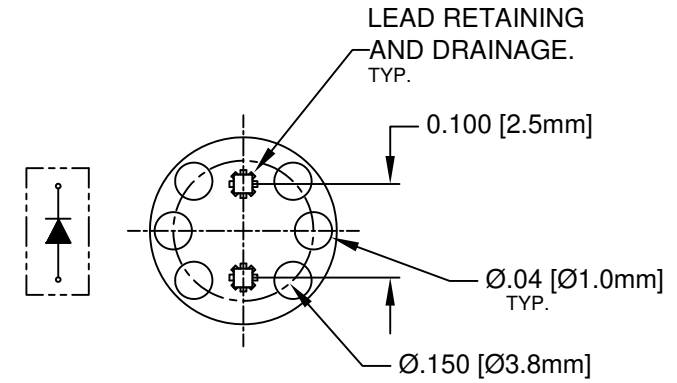
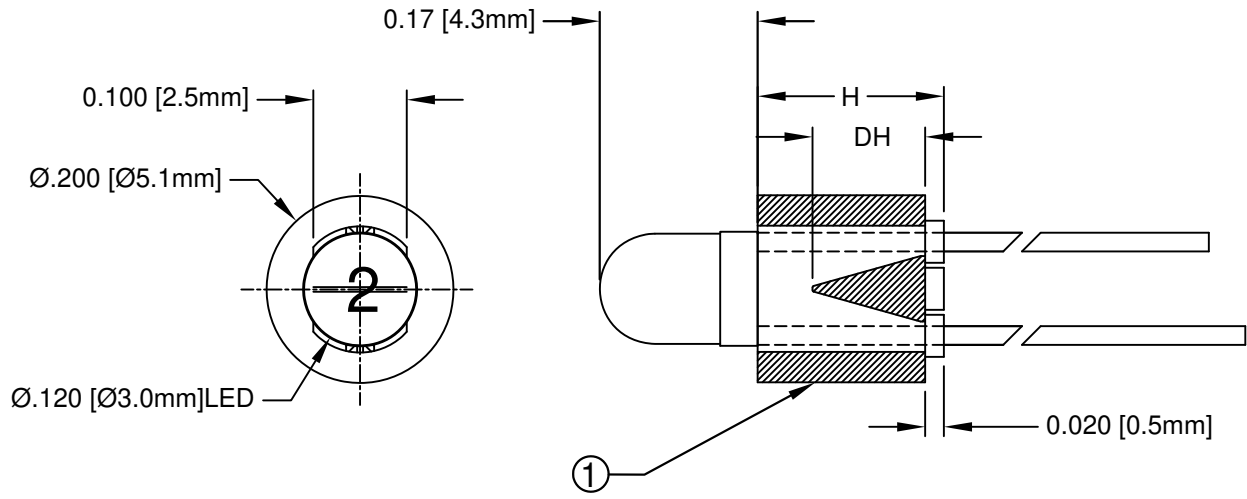
Email & Skype: info@chipsmall.com Web: www.chipsmall.com

Address: A1208, Overseas Decoration Building, #122 Zhenhua RD., Futian, Shenzhen, China



ITEM	QTY	PART NUMBER	PART DESCRIPTION
1	1	NTM-XXX	Molded, Self-Retaining LED Mount
2	1	3XX-S	T-1 (3mm) N-Flange LED, See page 2 & 3

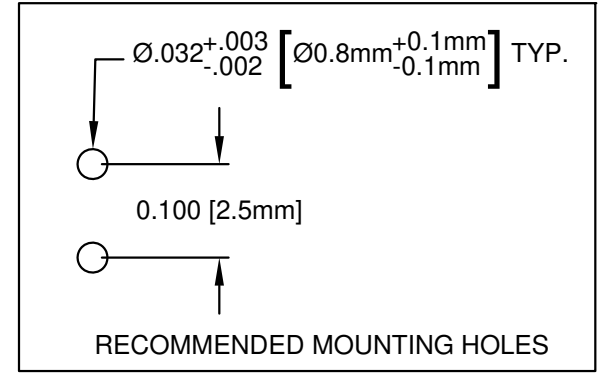
REV.	DESCRIPTION	DATE	APPROVED
A	Engineering Release	07/17/06	M. C.
B	Removed Spacer Material Specs	06/29/07	M. C.
C	Updated LED Part No. to 3XX-S in BOM	12/19/12	T. Y.
D	Removed LTM from Spec & Added Page 3	06/25/16	J. C.



PART NO.	H	DH
NTM-120	.120(3.1)	.060(1.5)
NTM-130	.130(3.3)	
NTM-140	.140(3.6)	
NTM-150	.150(3.8)	
NTM-160	.160(4.1)	
NTM-170	.170(4.3)	
NTM-180	.180(4.6)	
NTM-190	.190(4.8)	
NTM-200	.200(5.1)	
NTM-210	.210(5.3)	
NTM-220	.220(5.6)	
NTM-230	.230(5.8)	
NTM-240	.240(6.1)	
NTM-250	.250(6.4)	
NTM-260	.260(6.6)	
NTM-270	.270(6.9)	
NTM-280	.280(7.1)	
NTM-290	.290(7.4)	

PART NO.	H	DH
NTM-300	.300(7.6)	.185(4.7)
NTM-310	.310(7.9)	
NTM-320	.320(8.1)	
NTM-330	.330(8.4)	
NTM-340	.340(8.6)	
NTM-350	.350(8.9)	
NTM-360	.360(9.1)	
NTM-370	.370(9.4)	
NTM-380	.380(9.7)	
NTM-390	.390(9.9)	
NTM-400	.400(10.2)	
NTM-410	.410(10.4)	
NTM-420	.420(10.7)	
NTM-430	.430(10.9)	
NTM-440	.440(11.2)	
NTM-450	.450(11.4)	
NTM-460	.460(11.7)	
NTM-480	.480(12.2)	

PART NO.	H	DH
NTM-490	.490(12.5)	.310(7.9)
NTM-500	.500(12.7)	.435(11.1)
NTM-520	.520(13.2)	
NTM-550	.550(14.0)	
NTM-570	.570(14.5)	
NTM-600	.600(15.2)	
NTM-620	.620(15.8)	
NTM-650	.650(16.5)	
NTM-670	.670(17.0)	
NTM-700	.700(17.8)	
NTM-720	.720(18.3)	
NTM-750	.750(19.1)	
NTM-770	.770(19.6)	
NTM-800	.800(20.3)	
NTM-820	.820(20.8)	
NTM-850	.850(21.6)	
NTM-870	.870(22.1)	
NTM-900	.900(22.9)	



EXAMPLE:
NTM5003GD
 LED Color & Lens Appearance
 NTM Height "H"
 Series


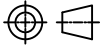
ABSOLUTE MAXIMUM RATINGS (Ta=25° C)

REVERSE VOLTAGE _____ 5V
 REVERSE CURRENT _____ 100uA
 OPERATING TEMPERATURE RANGE _____ -25° C - 85° C
 STORAGE TEMPERATURE _____ -30° C - 100° C
 LEAD SOLDERING TEMPERATURE(1/16" FROM BODY) _____ 260° C FOR 5 SECONDS

STANDARD TOLERANCE (UNLESS OTHERWISE SPECIFIED)		 4 THOMAS, IRVINE, CA. 92618 TEL: (949) 951-8808 FAX: (949) 951-3974	
DECIMALS	ANGULAR		
.X ± .1	X° ± 1°	TITLE: MOLDED, SELF-RETAINING T1 (3mm) LED MOUNT ASSEMBLY	
.XX ± .02			
.XXX ± .010		PART NO: NTMXXX3XX	
DESIGNED: S. Dam	DATE: 07/17/06	REVISION: D	
CHECKED: T. Yin	DATE: 07/17/06	CAGE CODE : 32559 SHEET # 1 OF 3	
CAD GENERATED DOCUMENT. DO NOT MEASURE DRAWING.			

REV.	DESCRIPTION	DATE	APPROVED
	SEE SHEET #1		


LED Assy. No.	Chip			Lens Appearance	Electro-Optical Data			Viewing Angle 2 θ ½ (Deg)	LED P/N
	Material	Peak Wave Length λp(nm)	Emitted Color		Vf (V)		Iv (mcd)		
					TYP	MAX	TYP		
STANDARD					Data @ 20mA				
NTMXXX3BWC	GaN/SiC	430	BLUE	WATER CLEAR	4.0	4.5	25	30	3BWC-S
NTMXXX3BWD	GaN/SiC	430	BLUE	DIFFUSED	4.0	4.5	10	40	3BWD-S
NTMXXX3BWT	GaN/SiC	430	BLUE	TINTED	4.0	4.5	25	30	3BWT-S
NTMXXX3PGC	GaP/GaP	555	PURE GREEN	WATER CLEAR	2.2	2.8	10	30	3PGC-S
NTMXXX3PGD	GaP/GaP	555	PURE GREEN	DIFFUSED	2.2	2.8	5	40	3PGD-S
NTMXXX3PGT	GaP/GaP	555	PURE GREEN	TINTED	2.2	2.8	10	30	3PGT-S
NTMXXX3GC	GaP/GaP	568	GREEN	WATER CLEAR	2.1	2.8	40	30	3GC-S
NTMXXX3GD	GaP/GaP	568	GREEN	DIFFUSED	2.1	2.8	25	40	3GD-S
NTMXXX3GT	GaP/GaP	568	GREEN	TINTED	2.1	2.8	40	30	3GT-S
NTMXXX3SGC	GaP/GaP	568	SUPER GREEN	WATER CLEAR	2.1	2.8	50	30	3SGC-S
NTMXXX3SGD	GaP/GaP	568	SUPER GREEN	DIFFUSED	2.1	2.8	30	40	3SGD-S
NTMXXX3SGT	GaP/GaP	568	SUPER GREEN	TINTED	2.1	2.8	50	30	3SGT-S
NTMXXX3YC	GaAsP/GaP	590	YELLOW	WATER CLEAR	2.0	2.8	40	30	3YC-S
NTMXXX3YD	GaAsP/GaP	590	YELLOW	DIFFUSED	2.0	2.8	20	40	3YD-S
NTMXXX3YT	GaAsP/GaP	590	YELLOW	TINTED	2.0	2.8	40	30	3YT-S
NTMXXX3AC	GaAsP/GaP	605	AMBER	WATER CLEAR	2.0	2.8	40	30	3AC-S
NTMXXX3AD	GaAsP/GaP	605	AMBER	DIFFUSED	2.0	2.8	25	40	3AD-S
NTMXXX3AT	GaAsP/GaP	605	AMBER	TINTED	2.0	2.8	40	30	3AT-S
NTMXXX3SAC	AlGaInP	605	SUPER AMBER	WATER CLEAR	1.8	2.4	300	30	3SAC-S
NTMXXX3SAD	AlGaInP	605	SUPER AMBER	DIFFUSED	1.8	2.4	100	40	3SAD-S
NTMXXX3SAT	AlGaInP	605	SUPER AMBER	TINTED	1.8	2.4	300	30	3SAT-S
NTMXXX3HC	GaAsP/GaP	625	HE RED	WATER CLEAR	2.0	2.8	50	30	3HC-S
NTMXXX3HD	GaAsP/GaP	625	HE RED	DIFFUSED	2.0	2.8	30	40	3HD-S
NTMXXX3HT	GaAsP/GaP	625	HE RED	TINTED	2.0	2.8	50	30	3HT-S
NTMXXX3RC	GaP/GaP	700	RED	WATER CLEAR	2.1	2.8	2.5	30	3RC-S
NTMXXX3RD	GaP/GaP	700	RED	DIFFUSED	2.1	2.8	2	40	3RD-S
NTMXXX3RT	GaP/GaP	700	RED	TINTED	2.1	2.8	2.5	30	3RT-S
NTMXXX3SRC	GaAlAs/GaAs	645	SUPER RED	WATER CLEAR	1.7	2.4	60	30	3SRC-S
NTMXXX3SRD	GaAlAs/GaAs	645	SUPER RED	DIFFUSED	1.7	2.4	40	40	3SRD-S
NTMXXX3SRT	GaAlAs/GaAs	645	SUPER RED	TINTED	1.7	2.4	60	30	3SRT-S

STANDARD TOLERANCE (UNLESS OTHERWISE SPECIFIED) 10% All Values ANGULAR		 4 THOMAS, IRVINE, CA. 92618 TEL: (949) 951-8808 FAX: (949) 951-3974	
DESIGNED: S. Dam		 TITLE: MOLDED, SELF-RETAINING T1 (3mm) LED MOUNT ASSEMBLY	
CHECKED: T. Yin		DATE: 07/17/06	PART NO: NTMXXX3XX REVISION: D
		DATE: 07/17/06	CAGE CODE : 32559 SHEET # 2 OF 3 CAD GENERATED DOCUMENT. DO NOT MEASURE DRAWING.

REV.	DESCRIPTION	DATE	APPROVED
	SEE SHEET #1		

LED Assy. No.	Chip			Lens Appearance	Electro-Optical Data			Viewing Angle 2 θ ½ (Deg)	LED P/N
	Material	Peak Wave Length λp(nm)	Emitted Color		Vf (V)		Iv (mcd)		
					TYP	MAX	TYP		
LOW CURRENT					Data @ 2mA				
NTMXXXBWDL	GaN/siC	430	BLUE	DIFFUSED	3.8	4.2	2.5	40	3BWDL-S
NTMXXXGDL	GaP/GaP	568	GREEN	DIFFUSED	2.1	2.6	2	40	3GDL-S
NTMXXXGTL	GaP/GaP	568	GREEN	TINTED	1.8	2.2	7.5	30	3GTL-S
NTMXXXPGDL	GaP/GaP	555	PURE GREEN	DIFFUSED	2.1	2.6	0.2	40	3PGDL-S
NTMXXXYDL	GaAsP/GaP	590	YELLOW	DIFFUSED	2.0	2.6	2	40	3YDL-S
NTMXXXADL	GaAsP/GaP	605	AMBER	DIFFUSED	2.0	2.6	4	40	3ADL-S
NTMXXXHDL	GaAsP/GaP	625	HE RED	DIFFUSED	2.0	2.6	2.5	40	3HDL-S
NTMXXXHTL	GaAsP/GaP	635	HE RED	TINTED	1.8	2.2	6.5	30	3HTL-S
NTMXXXRDL	GaP/GaP	700	RED	DIFFUSED	2.1	2.6	0.5	40	3RDL-S

LED Assy. No.	Chip			Lens Appearance	Electro-Optical Data			Viewing Angle 2 θ ½ (Deg)	LED P/N
	Material	Peak Wave Length λp(nm)	Emitted Color		Vf (V)		Iv (mcd)		
					TYP	MAX	TYP		
5 VOLT					Data @ 5V				
NTMXXX3GC5V	GaP/GaP	568	GREEN	WATER CLEAR	/	5.0	40	30	3GC5V-S
NTMXXX3GD5V	GaP/GaP	568	GREEN	DIFFUSED	/	5.0	25	40	3GD5V-S
NTMXXX3GT5V	GaP/GaP	568	GREEN	TINTED	/	5.0	40	30	3GT5V-S
NTMXXX3YD5V	GaAsP/GaP	590	YELLOW	DIFFUSED	/	5.0	20	40	3YD5V-S
NTMXXX3AD5V	GaAsP/GaP	605	AMBER	DIFFUSED	/	5.0	25	40	3AD5V-S
NTMXXX3HD5V	GaAsP/GaP	625	HE RED	DIFFUSED	/	5.0	30	40	3HD5V-S
NTMXXX3RD5V	GaP/GaP	700	RED	DIFFUSED	/	5.0	2	40	3RD5V-S

STANDARD TOLERANCE (UNLESS OTHERWISE SPECIFIED) 10% All Values ANGULAR		 BIVAR [®] 4 THOMAS, IRVINE, CA. 92618 TEL: (949) 951-8808 FAX: (949) 951-3974	
DESIGNED: S. Dam			
CHECKED: T. Yin		DATE: 07/17/06	PART NO: NTMXXX3XX REVISION: D CAGE CODE : 32559 SHEET # 3 OF 3 CAD GENERATED DOCUMENT. DO NOT MEASURE DRAWING.