



Chipsmall Limited consists of a professional team with an average of over 10 year of expertise in the distribution of electronic components. Based in Hongkong, we have already established firm and mutual-benefit business relationships with customers from,Europe,America and south Asia,supplying obsolete and hard-to-find components to meet their specific needs.

With the principle of “Quality Parts,Customers Priority,Honest Operation,and Considerate Service”,our business mainly focus on the distribution of electronic components. Line cards we deal with include Microchip,ALPS,ROHM,Xilinx,Pulse,ON,Everlight and Freescale. Main products comprise IC,Modules,Potentiometer,IC Socket,Relay,Connector.Our parts cover such applications as commercial,industrial, and automotives areas.

We are looking forward to setting up business relationship with you and hope to provide you with the best service and solution. Let us make a better world for our industry!



Contact us

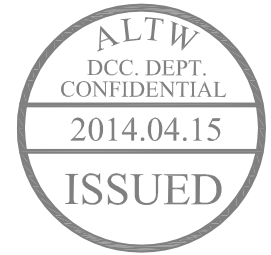
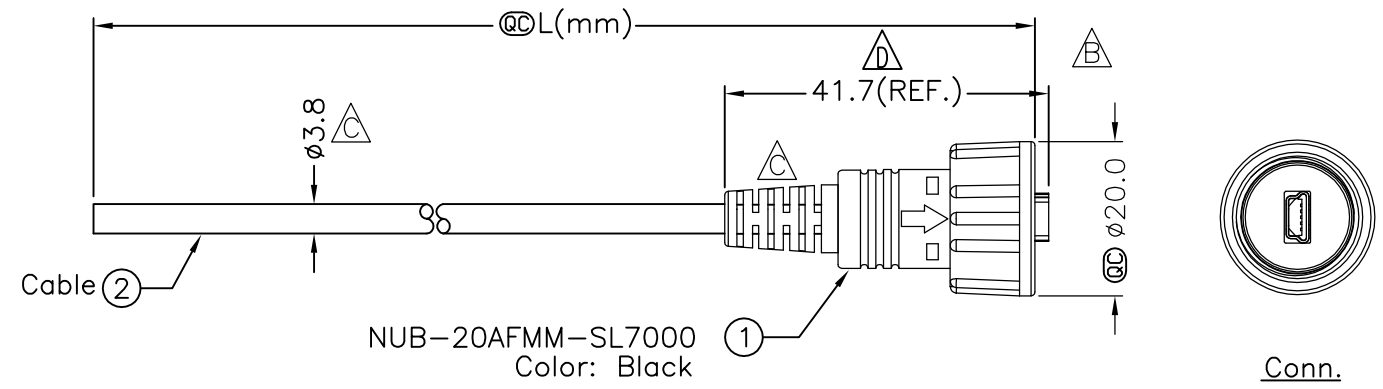
Tel: +86-755-8981 8866 Fax: +86-755-8427 6832

Email & Skype: info@chipsmall.com Web: www.chipsmall.com

Address: A1208, Overseas Decoration Building, #122 Zhenhua RD., Futian, Shenzhen, China

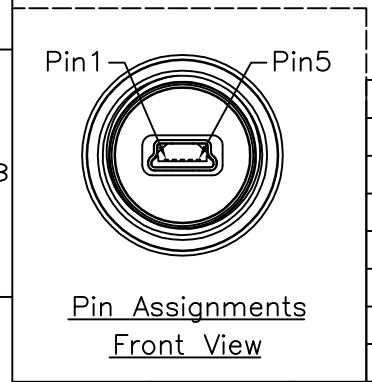


REV.	ECN NO.	DATE	SIGN	DESCRIPTION
B	LEN-820027	2007/11/16	Rommel A. Vergara	Update Outer Mold
C	LEN-840034	2008/04/10	Jill	Update SR,Cable OD
D	LEN1440069~72	2014/03/17	Sam	Change Dimension



NUB-20AFMM-SL7AXX
 XX:01~04Meters
 01:01Meter
 02:02Meters
 :
 04:04Meters
 Cable Length(L):01~04Meters

- Note:
- * @C Important Dimension.
 - * Waterproof Rate: IP67
 - * Screw Nut: Nylon+GF,Black
 - * Gasket:EPDM,Black
 - * Pin: Brass,Gold Plated.
 - * Cable: USB2.0 UL2725 28AWG*1P+28AWG *3C+AEB,OD=3.8mm
 - * Cable Length Tolerance: 1M~04M±5%mm



Shield	Drain 地線 (28AWG)	
5	Black 黑 (28AWG)	Twist
4	Yellow 黃 (28AWG)	
3	Green 綠 (28AWG)	
2	White 白 (28AWG)	
1	Red 紅 (28AWG)	
Conn.	Wire Color	
	Pin Out	

UNIT:mm		TITLE Mini USB Molding Type F Conn M Pin	Amphenol LTW		ITEM NO	DRAWN BY SamChang	DATE 2014/03/17
TOLERANCE ±0.5 mm		SCALE Free	SHEET 1 OF 1	安費諾亮泰企業股份有限公司	DWG NO NUB-20AFMM-SL7AXX	CHECKED BY Vicky	DATE 2014/03/17
	REV. D	SIZE A4	@C :Inspection Item		CUSTOMER ALTW	APPROVED BY Rita	DATE 2014/03/17

THIS DOCUMENT IS SUBJECT TO CHANGE WITHOUT NOTICE. IT IS CONFIDENTIAL AND A PROPERTY OF Amphenol LTW. DISCLOSURE TO THIRD PARTY HAS TO BE AUTHORIZED BY Amphenol LTW.