



Chipsmall Limited consists of a professional team with an average of over 10 year of expertise in the distribution of electronic components. Based in Hongkong, we have already established firm and mutual-benefit business relationships with customers from,Europe,America and south Asia,supplying obsolete and hard-to-find components to meet their specific needs.

With the principle of “Quality Parts,Customers Priority,Honest Operation,and Considerate Service”,our business mainly focus on the distribution of electronic components. Line cards we deal with include Microchip,ALPS,ROHM,Xilinx,Pulse,ON,Everlight and Freescale. Main products comprise IC,Modules,Potentiometer,IC Socket,Relay,Connector.Our parts cover such applications as commercial,industrial, and automotives areas.

We are looking forward to setting up business relationship with you and hope to provide you with the best service and solution. Let us make a better world for our industry!



Contact us

Tel: +86-755-8981 8866 Fax: +86-755-8427 6832

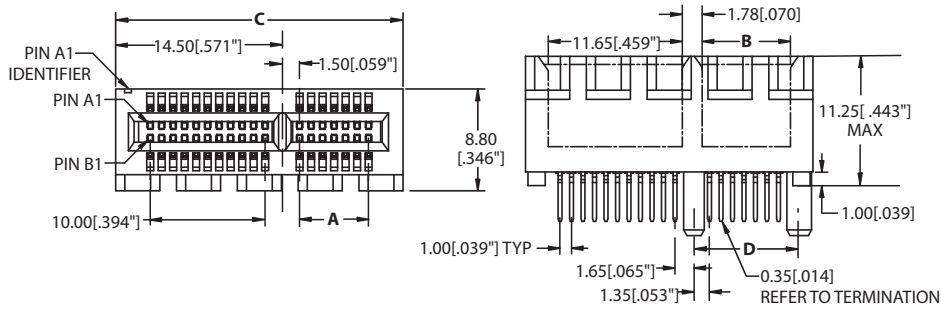
Email & Skype: info@chipsmall.com Web: www.chipsmall.com

Address: A1208, Overseas Decoration Building, #122 Zhenhua RD., Futian, Shenzhen, China



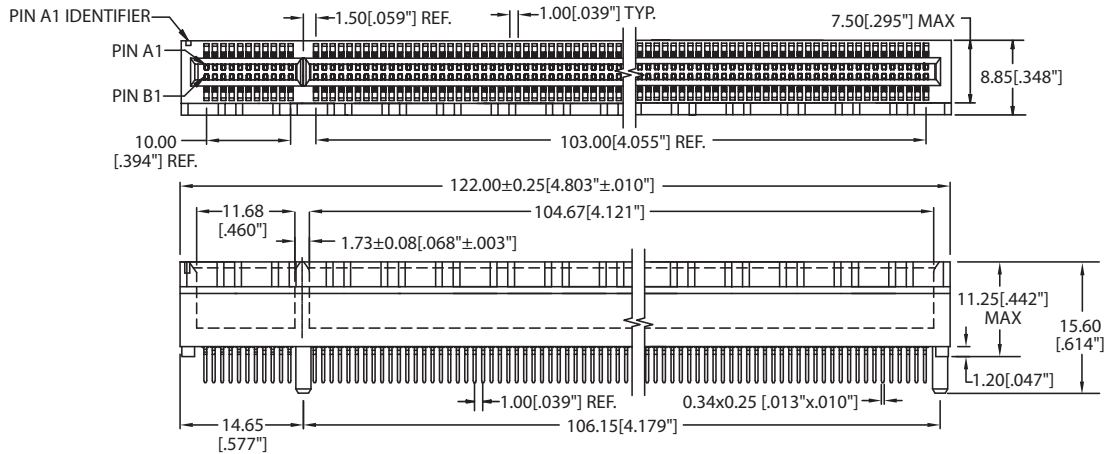


DIMENSIONS Dimensions in [] are in Inches, all others are in Millimeters

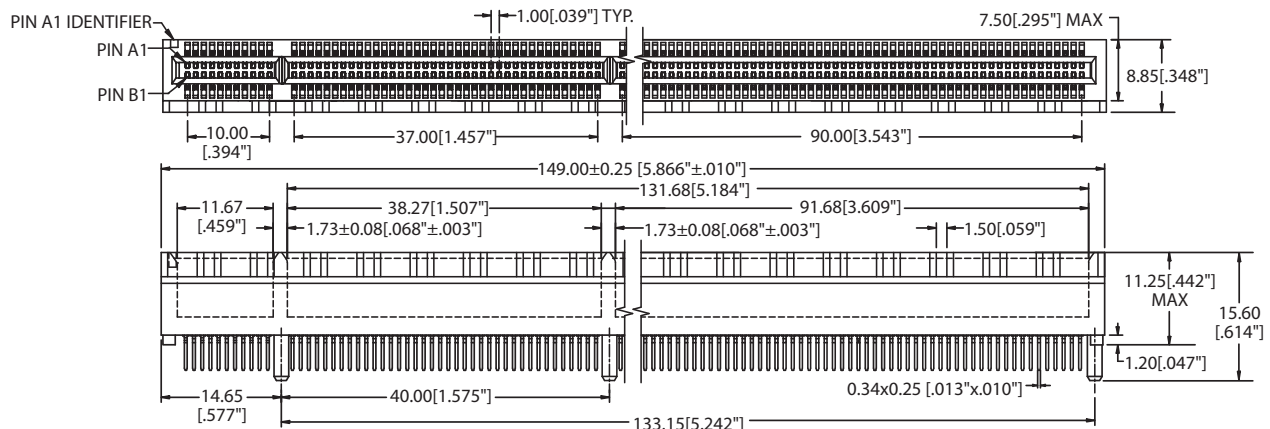


18/36, 32/64, 49/98, 82/164 POSITION, STAGGERED DIP SOLDER (HH)

POSITIONS/ CONTACTS	MILLIMETERS				[INCHES]			
	A ± 0.10	B ± 0.15	C ± 0.23	D ± 0.20	A ± 0.004"	B ± 0.006"	C ± 0.009"	D ± 0.008"
18/36	6.00	7.65	25.00	9.15	0.236	0.301	0.984	0.360
32/64	20.00	21.65	39.00	23.15	0.787	0.852	1.535	0.911
49/98	37.00	38.65	56.00	40.15	1.457	1.522	2.205	1.581
82/164	70.00	71.65	89.00	73.15	2.756	2.821	3.504	2.880



115/230 POSITION, STAGGERED DIP SOLDER (HH)



140/280 POSITION, STAGGERED DIP SOLDER (HH)



PART NUMBER OPTIONS

MATERIALS (INSULATOR/CONTACT)

N = Nylon46/Phosphor Bronze

CONTACT FINISH - RoHS Compliant

All platings are Lead Free and have .000050" Nickel underplate
Contact Surface Termination

B =	.000010" Gold	.000100" Pure Tin, Matte
C =	.000030" Gold	.000100" Pure Tin, Matte
W =	Gold Flash	.000100" Pure Tin, Matte

CONTACT CENTERS

E = 1mm [.039"]

NUMBER OF CONTACT POSITIONS

18, 32, 49, 82, 115, 140

N B E 18 D HH N -T9 2 1

COLOR

1 = Black

Consult factory for alternate colors

TAIL LENGTH

1 = 2.30mm [.091"] (18, 32, 49, 82, 115)
(140 Position, not available)

2 = 2.54mm [.100"] (115 & 140)

3 = 3.10mm [.122"] (18, 32, 49, 82, 115)
3.00mm [.118"] (140 Position)

MOUNTING STYLE

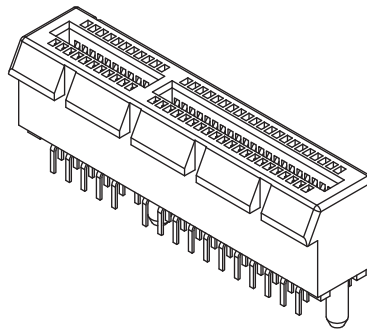
N = No Mounting

TERMINATION TYPE

HH = Staggered Dip Solder

READOUT

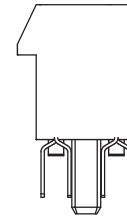
D = Dual



SPECIFICATIONS

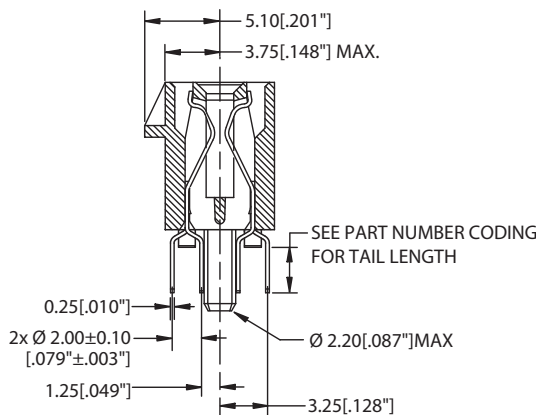
- All PCI Express parts meet the latest PCI Express specifications
- Supports 2.5 Gb/s Data Transfer Rate (per pair data bandwidth)
- Accommodates 1.57mm ± 0.20mm [.062" ± .008"] PC board
- Nylon46 insulator
- 1.1 amp current rating per contact

READOUT



DUAL (D)

TERMINATION TYPE



Staggered Dip Solder (HH)

MOUNTING STYLE



No Mounting Ears (N)