



Chipsmall Limited consists of a professional team with an average of over 10 year of expertise in the distribution of electronic components. Based in Hongkong, we have already established firm and mutual-benefit business relationships with customers from,Europe,America and south Asia,supplying obsolete and hard-to-find components to meet their specific needs.

With the principle of “Quality Parts,Customers Priority,Honest Operation,and Considerate Service”,our business mainly focus on the distribution of electronic components. Line cards we deal with include Microchip,ALPS,ROHM,Xilinx,Pulse,ON,Everlight and Freescale. Main products comprise IC,Modules,Potentiometer,IC Socket,Relay,Connector.Our parts cover such applications as commercial,industrial, and automotives areas.

We are looking forward to setting up business relationship with you and hope to provide you with the best service and solution. Let us make a better world for our industry!



Contact us

Tel: +86-755-8981 8866 Fax: +86-755-8427 6832

Email & Skype: info@chipsmall.com Web: www.chipsmall.com

Address: A1208, Overseas Decoration Building, #122 Zhenhua RD., Futian, Shenzhen, China



PART NUMBER CODING

N_E140DHHN-T9

REVISIONS				
REV.	ECO. NO	DESCRIPTION	DATE	BY
A	1595	INITIAL RELEASE	04/01/08	VJ
B	1707	UPDATE P/N CODING CHART, PLATING	05/30/08	ASK
C	1946	UPDATE NOTES, COLOR CODE & TOLERANCE BLOCK, TAIL LENGTH OPTION 1 REMOVED	06/26/09	JH

PLATING

(ALL PLATINGS ARE LEAD FREE AND HAVE 50μ" NICKEL UNDERPLATE)

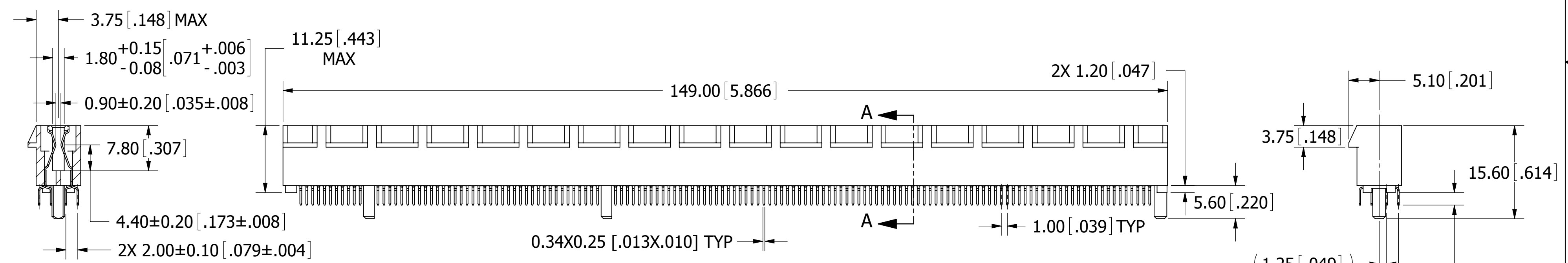
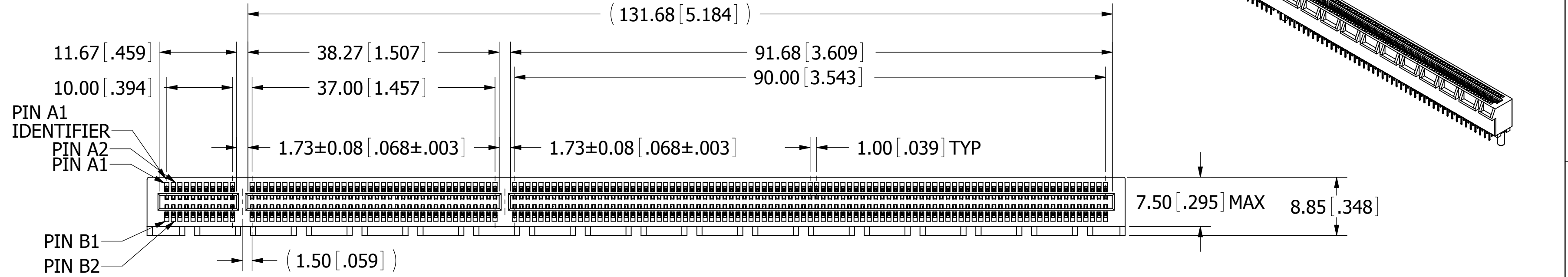
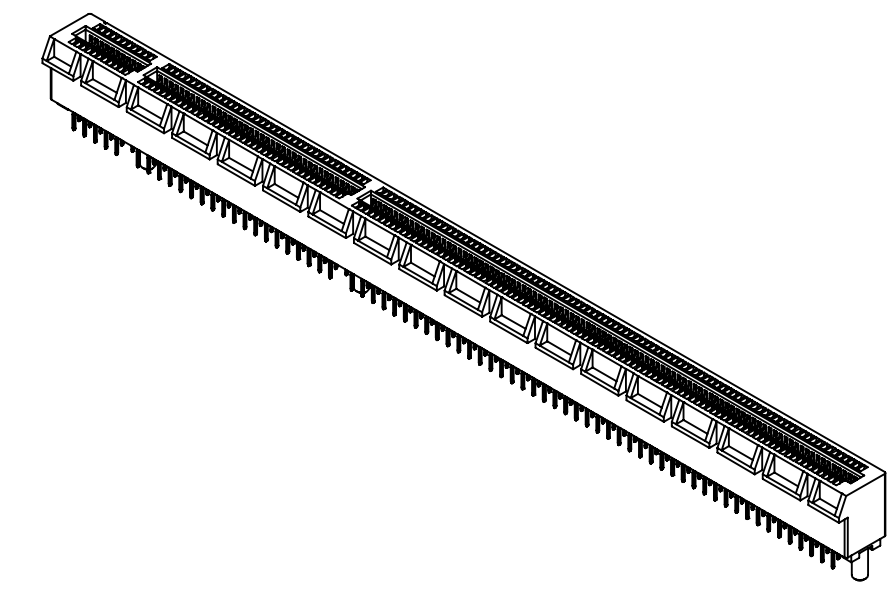
CONTACT SURFACE	TERMINATION
W = GOLD FLASH	.000100" PURE TIN, MATTE
B = .000010" GOLD	.000100" PURE TIN, MATTE
C = .000030" GOLD	.000100" PURE TIN, MATTE

TAIL LENGTH

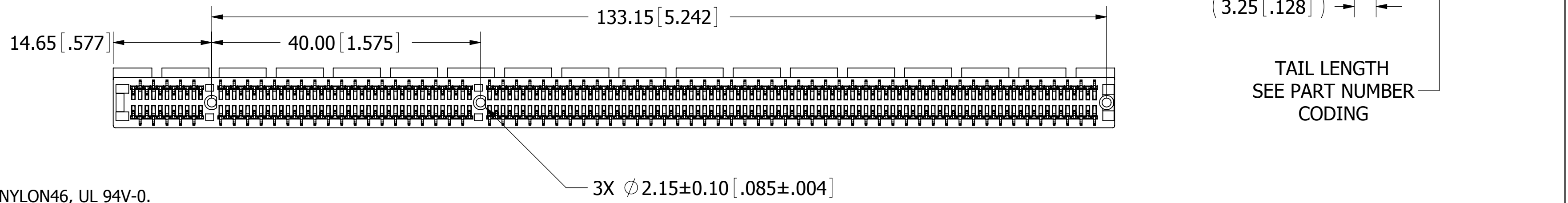
2=2.54[.100]
3=3.00[.118]

COLOR

1= BLACK
6= WHITE



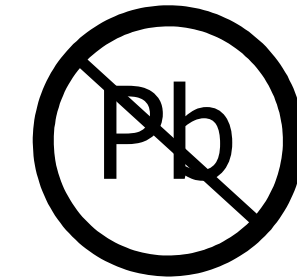
SECTION A-A



TAIL LENGTH
SEE PART NUMBER
CODING

NOTES:

- INSULATOR MATERIAL: NYLON46, UL 94V-0.
 - CONTACT MATERIAL: PHOSPHOR BRONZE.
 - CONTACT PLATING: SEE PART NUMBER CODING.
 - CURRENT RATING: 1.1 AMP.
 - VOLTAGE RATING: 50 V DC.
 - INSULATOR RESISTANCE: 1000 MEGOHMS MIN.
 - CONTACT RESISTANCE: 30 MILLI OHMS MAX.
 - DIELECTRIC WITHSTANDING: 500V DC.
 - INSERTION FORCE: 117gf (1.15 N) MAX PER CONTACT PAIR USING A 1.7 mm (.067") STEEL CARD.
 - WITHDRAWAL FORCE: 15.3gf (0.15 N) MIN PER CONTACT PAIR USING A 1.44 mm (.057") STEEL CARD.
 - OPERATING TEMPERATURE: -55° C TO +105° C.
 - PROCESSING TEMP.: 260° C FOR 10 SECS MAX.
- (INDICATED TEMPERATURE AND TIME IS FOR COMPONENT INSULATOR. HIGHER PROCESSING TEMPERATURE MAY BE USED, PROVIDED HEAT IS APPLIED FROM BACK SIDE OF PCB, AND INSULATOR DOES NOT EXCEED INDICATED TEMPERATURE AND TIME.)



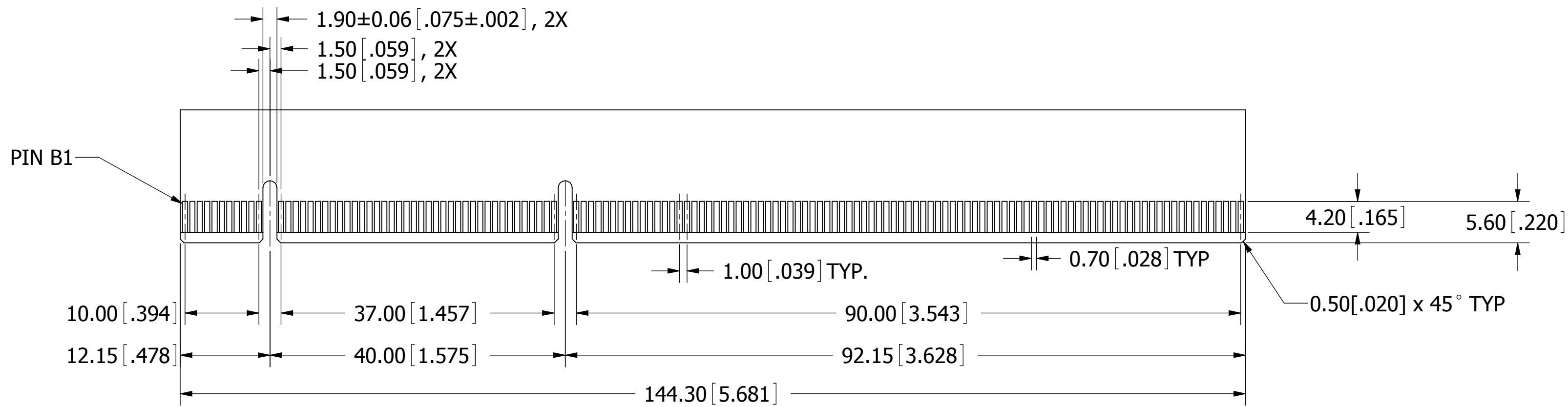
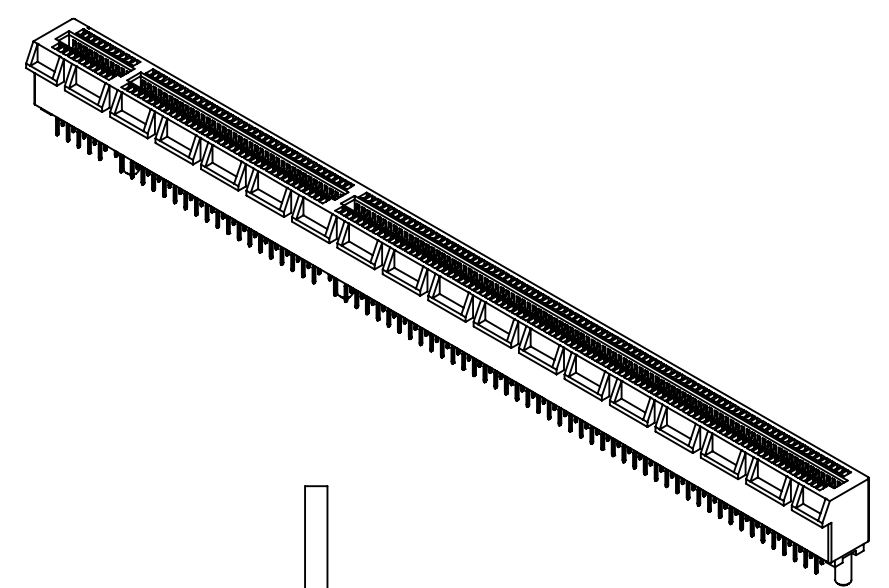
RoHS COMPLIANT

UNLESS OTHERWISE SPECIFIED:
DIMENSIONS ARE IN MM[INCHES]
TOLERANCES:
ANGULAR: ± 5°
.X= ± .3 [.01]
.XX= ± .25 [.010]
.XXX= ± .080 [.0030]
SURFACE FINISH: 63 R_a
REMOVE ALL BURRS AND SHARP EDGES .010 MAX

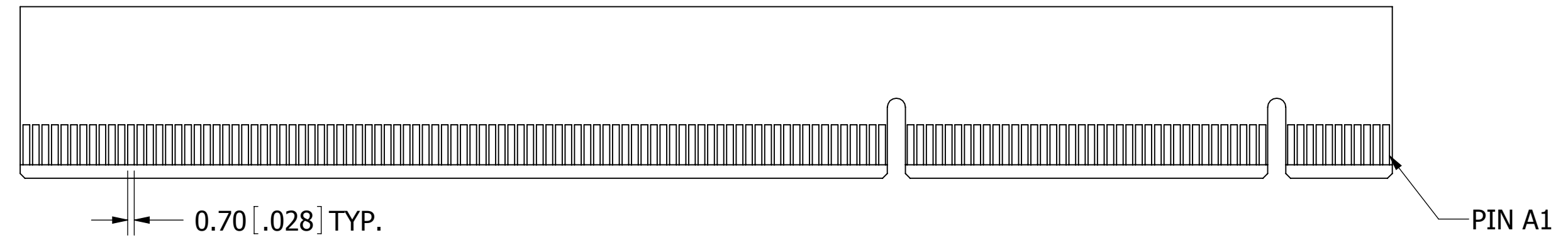
INTERPRET DIMENSIONS AND GEOMETRIC TOLERANCING PER: ANSI Y14.5M-1994

DRAWN		DATE	NAME	DESCRIPTION	
JH		3/23/09	JH	PCI EXPRESS, 1mm CC, 140P, DIP SOLDER	
THE INFORMATION HEREIN CONTAINS PROPRIETARY INFORMATION OF SULLINS ELECTRONICS AND IS NOT TO BE REPRODUCED, USED OR DISCLOSED TO OTHERS FOR ANY PURPOSE EXCEPT AS SPECIFICALLY AUTHORIZED IN WRITING BY AN OFFICER OF SULLINS ELECTRONICS.				PART NUMBER N_E140DHHN-T9	
SIZE	DWG. NO.	REV			
C	11040	C			
SCALE: 1:1		SHEET 1 OF 2			

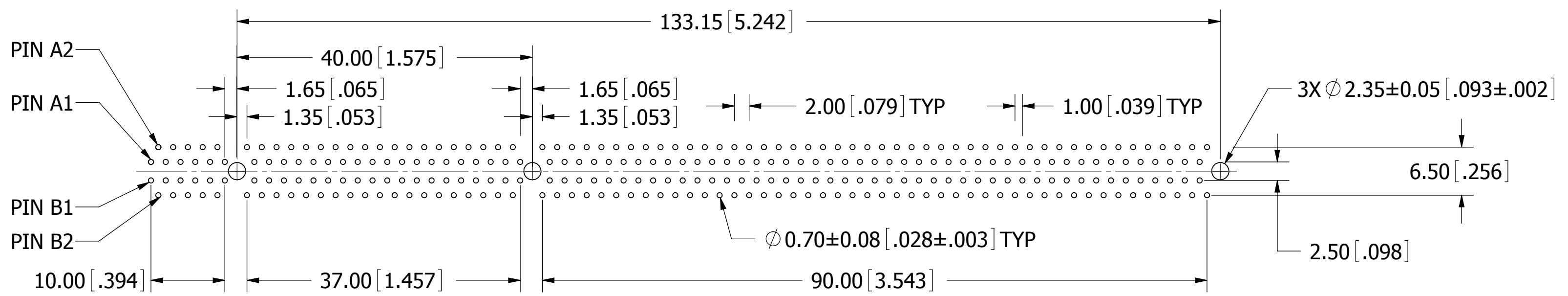
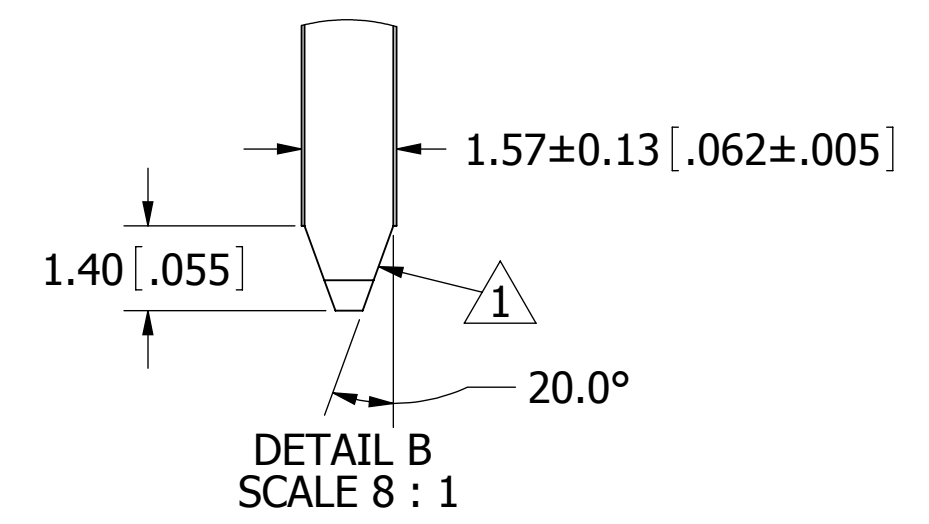
8 7 6 5 4 3 2 1



I/O PANEL DIRECTION PRIMARY (COMPONENT) SIDE

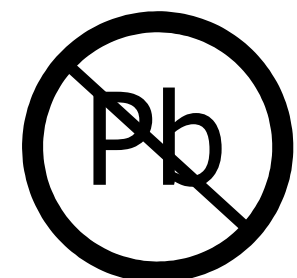


I/O PANEL DIRECTION SECONDARY (SOLDER) SIDE
ADD-IN CARD EDGE-FINGER DIMENSIONS



RECOMMENDED PCB LAYOUT
TOLERANCE: ±0.13 [.005]

1. CHAMFER EDGE MUST BE FREE OF CUTTING BURRS.



RoHS COMPLIANT

DESCRIPTION PCI EXPRESS, 1mm CC, 140P, DIP SOLDER		
PART NUMBER N_E140DHNN-T9_		
SIZE C	DWG. NO. 11040	REV C
SCALE: NTS		SHEET 2 OF 2