



Chipsmall Limited consists of a professional team with an average of over 10 year of expertise in the distribution of electronic components. Based in Hongkong, we have already established firm and mutual-benefit business relationships with customers from,Europe,America and south Asia,supplying obsolete and hard-to-find components to meet their specific needs.

With the principle of “Quality Parts,Customers Priority,Honest Operation,and Considerate Service”,our business mainly focus on the distribution of electronic components. Line cards we deal with include Microchip,ALPS,ROHM,Xilinx,Pulse,ON,Everlight and Freescale. Main products comprise IC,Modules,Potentiometer,IC Socket,Relay,Connector.Our parts cover such applications as commercial,industrial, and automotives areas.

We are looking forward to setting up business relationship with you and hope to provide you with the best service and solution. Let us make a better world for our industry!



Contact us

Tel: +86-755-8981 8866 Fax: +86-755-8427 6832

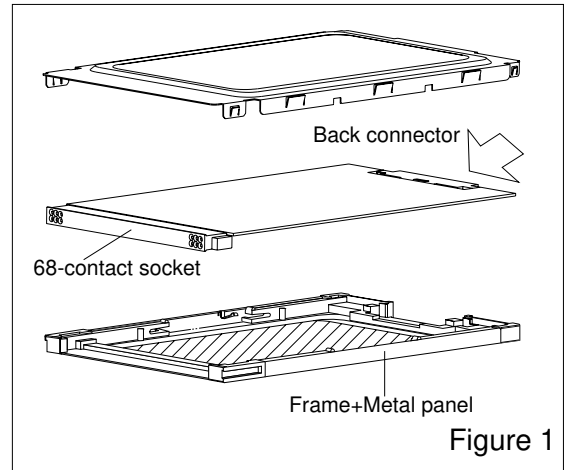
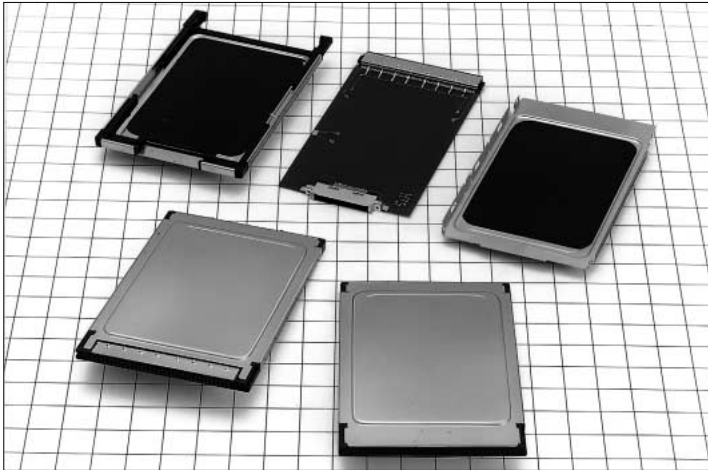
Email & Skype: info@chipsmall.com Web: www.chipsmall.com

Address: A1208, Overseas Decoration Building, #122 Zhenhua RD., Futian, Shenzhen, China



Simple Assembly Type PC Card Frame Kits

NX1 Series



■ Features

1. Great reduction of the number of frame kit assembly steps

Use of this simple assembly method has greatly reduced the number of assembly steps. Processes such as heat fusion and cooling of the covers are no longer required. Assembly of the frame kit is possible using simple jig tools. (See the Simple Assembly Method insert to the right.)

2. Excellent Shielding Qualities

The covered construction using a metal panel out to the sides of the card provide excellent shielding qualities. (See Figure 4.)

3. Board Offset

Available in types with board offsets of 0.3mm and 0.9mm.

4. Back connectors

Back Connectors available with 15,25, and 32 contacts.

5. Can Be Used With CardBus Types

6. Stable Conduction Maintained Between Panels

The spring quality of the metal ensures stable conduction to be maintained between the panels at the panel lock portion.

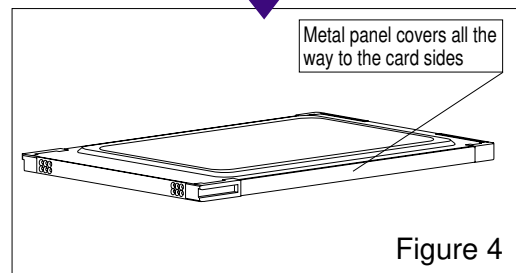
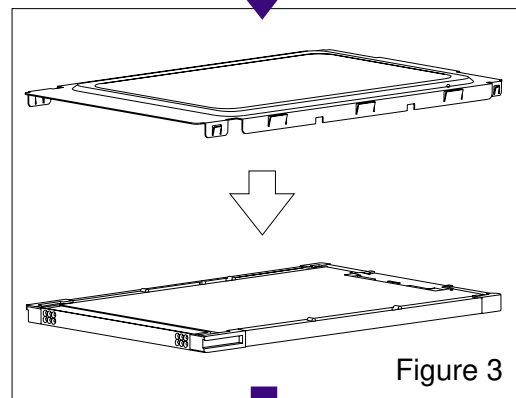
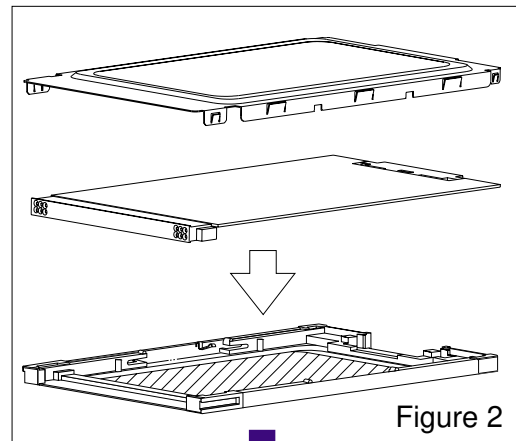
7. Conduction Maintained Between Panel and Board

The conduction between panel and board is maintained by contact between the panel and a one-body ground spring.

■ Applications

A wide variety of PC cards including LAN, FAX modem, and SCSI.

Simple Assembly Method



(For details, see the frame Kit assembly procedure on page 6)

Product Rating

Operating temperature range	-30°C to +70°C
-----------------------------	----------------

Materials

Part	Material	Color	Remarks
Frame	PBT	Black	UL94V-0
Panel	Stainless steel	Dull Finish	—
Insulation tape	Polyester	Black	510-FR

Ordering Information

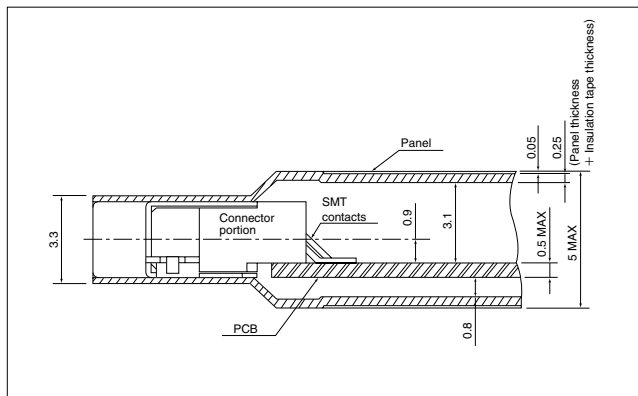
NX1B L - 32 T - KT 3 B (05)

① ② ③ ④ ⑤ ⑥ ⑦ ⑧

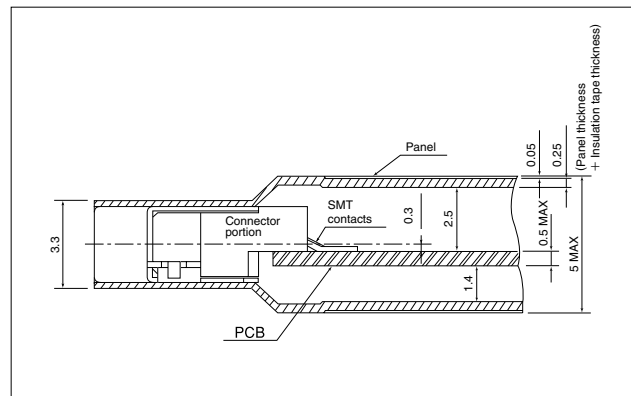
① Series name NX1 : General type NX1B : Card bus type	④ Suitable back connectors T: NX Series	⑦ Type of suitable 68-contact connectors K: General type (IC1K Series) B: Card Bus type (IC9 Series)
② Card key type None : 5 V type L : 3.3 V type	⑤ Connector type KT: Frame kit	⑧ Presence of insulation tape 05 : With insulation tape 06 : Without insulation tape
③ Number of back connector 15, 25, or 32	⑥ Offset 3: 0.3mm 9: 0.9mm	

Connector Mounting Condition

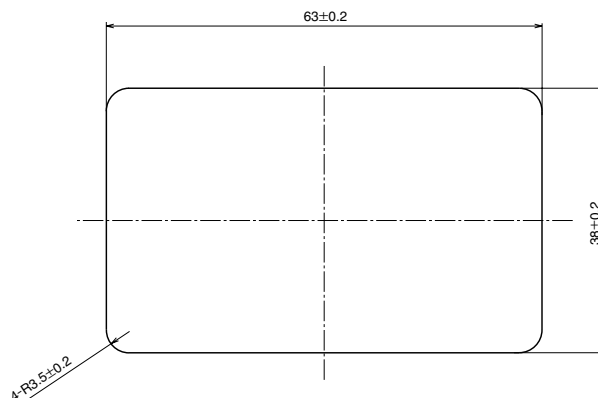
●0.9mm Offset Type



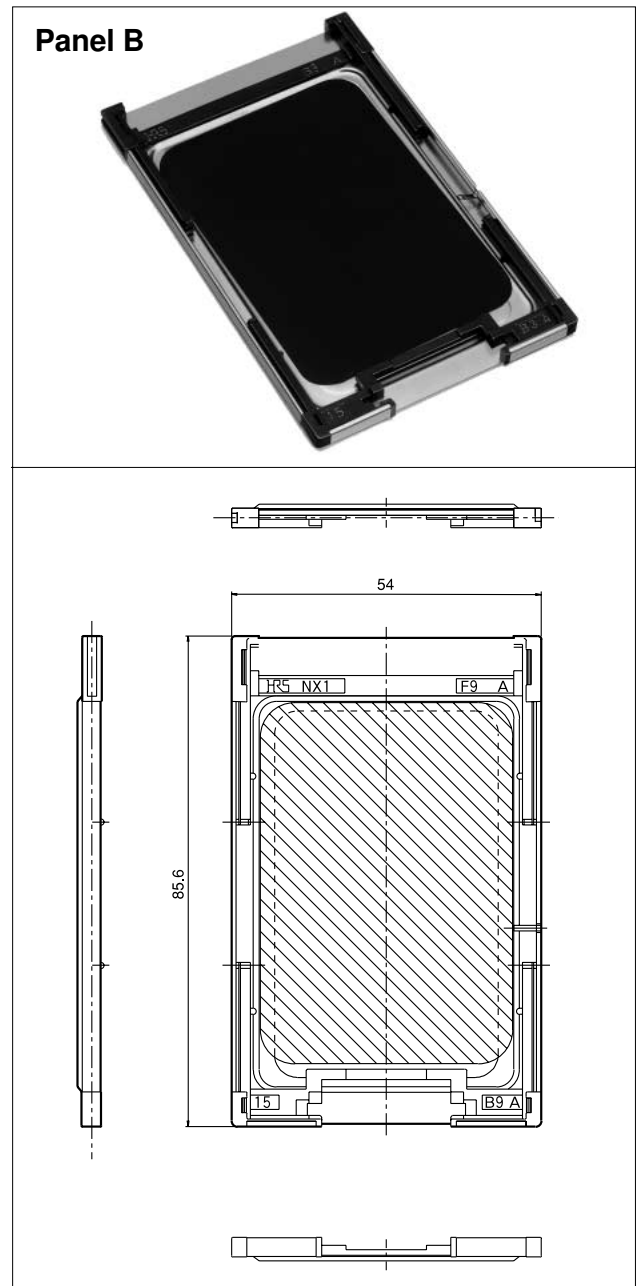
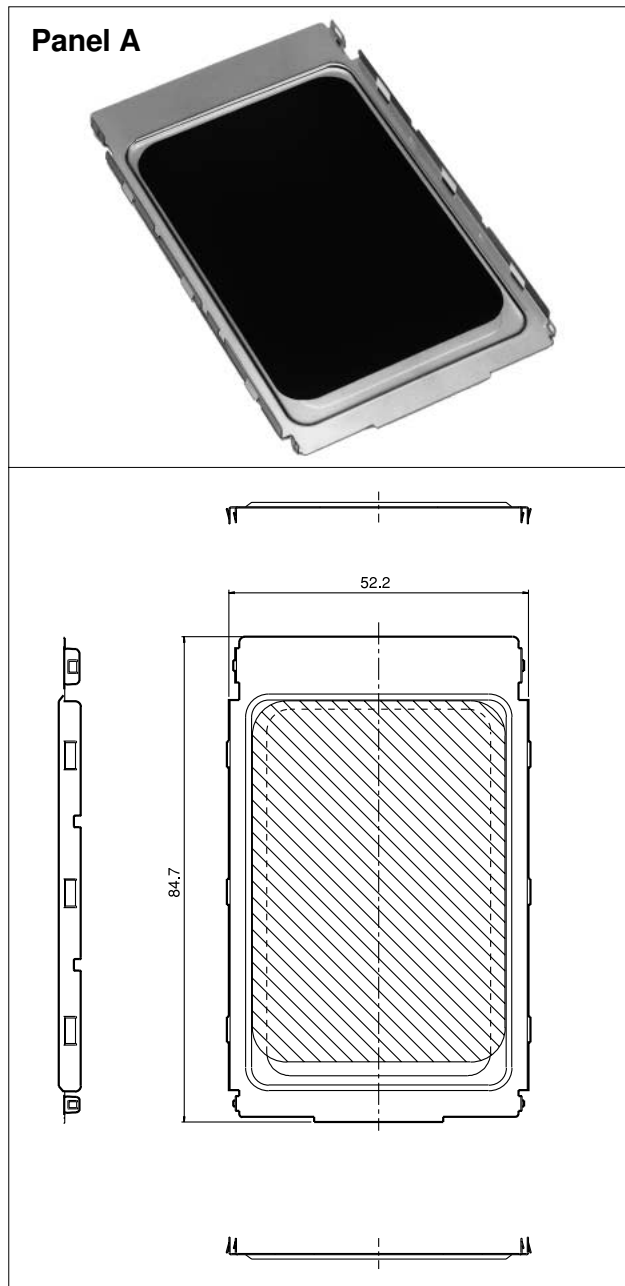
●0.3mm Offset Type



Label Dimensions(Recommended Label Thickness: 50μm)



NX1 Series (General Type Frame Kit)

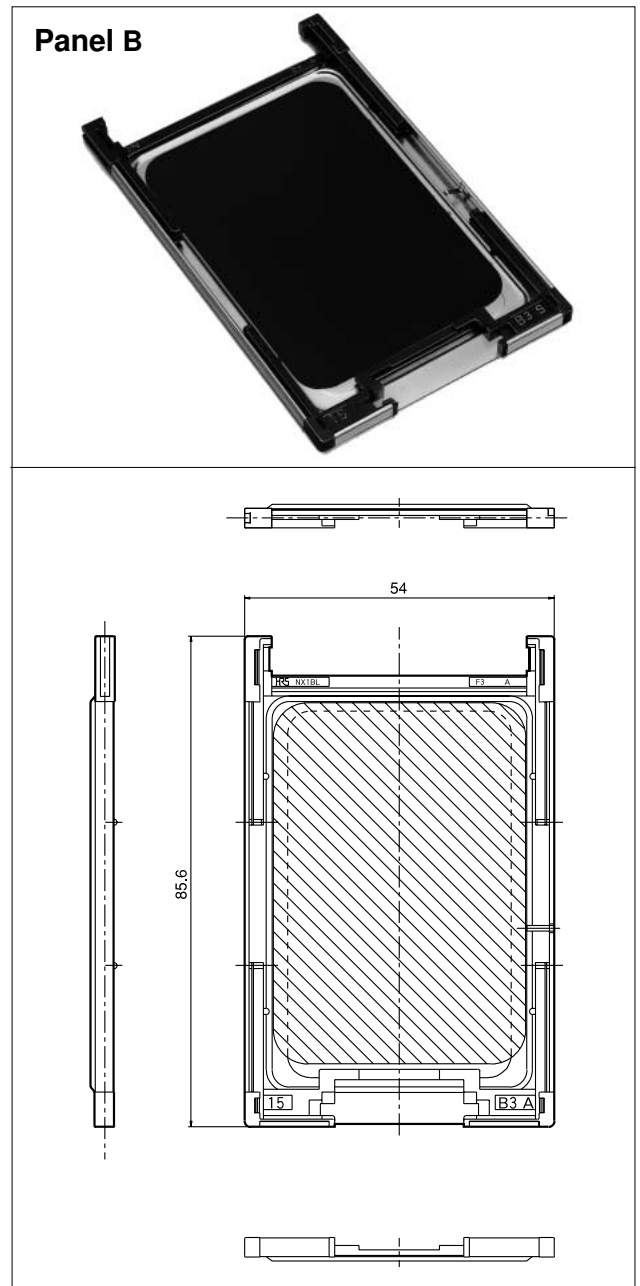
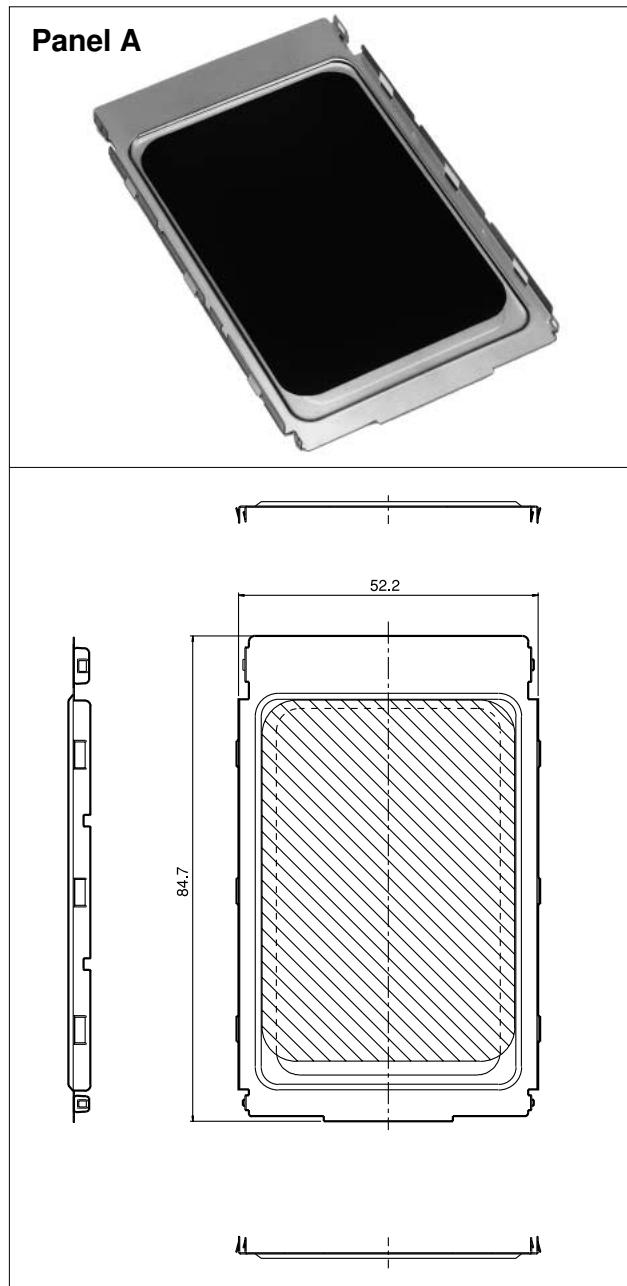


Number of Contacts	Offset (mm)	Frame Kit		Suitable 68-Contact Socket Connectors		Suitable Back Connectors	
		Part Number	CL No.	Part Number	CL No.	Part Number	CL No.
15	0.9	NX1-15T-KT9K(**)	234-2102-5-**	IC1K-68RD-1.27SFA	640-0047-2	NX60TB-15SAA9-SP	234-0097-6
	0.3	NX1-15T-KT3K(**)	234-2103-8-**	IC1K-68RD-1.27SF	640-0046-0	NX60TB-15SAA3-SP	234-0098-9
25	0.9	NX1-25T-KT9K(**)	234-2104-0-**	IC1K-68RD-1.27SFA	640-0047-2	NX60TA-25SAA9-SP	234-0107-8
	0.3	NX1-25T-KT3K(**)	234-2105-3-**	IC1K-68RD-1.27SF	640-0046-0	NX60TA-25SAA3-SP	234-0033-3
32	0.9	NX1-32T-KT9K(**)	234-2106-6-**	IC1K-68RD-1.27SFA	640-0047-2	NX60T -32SAA9-SP	234-0023-0
	0.3	NX1-32T-KT3K(**)	234-2107-9-**	IC1K-68RD-1.27SF	640-0046-0	NX60TA-32SAA3-SP	234-0053-0

(**) : (05) : With Insulation type

(06) : Without Insulation type

■NX1B Series (Card Bus Type Frame Kit)



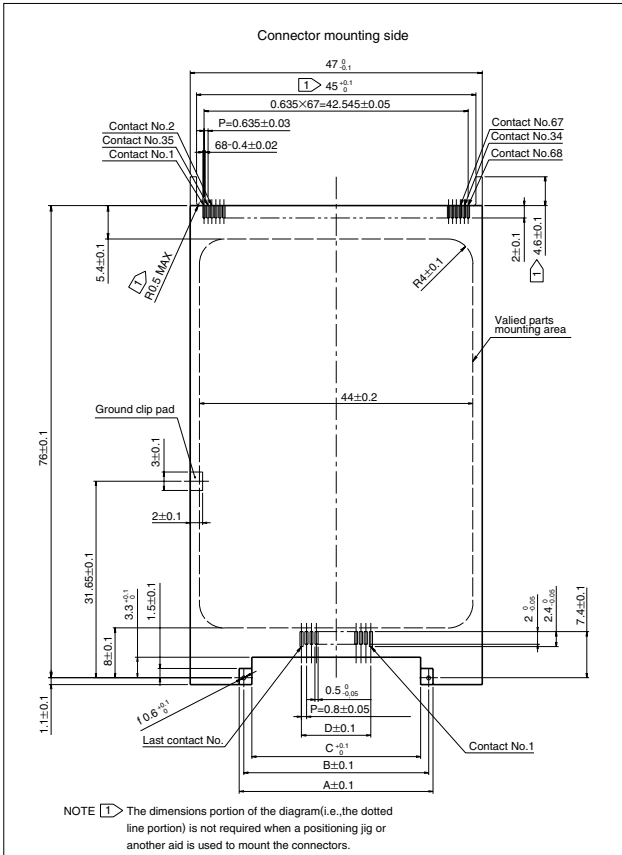
Number of Contacts	Offset (mm)	Frame Kit		Suitable 68-Contact Socket Connectors		Suitable Back Connectors	
		Part Number	CL No.	Part Number	CL No.	Part Number	CL No.
15	0.9	NX1BL-15T-KT9B(**)	234-2153-6-**	IC9-68RD-0.635SFA	640-0902-5	NX60TB-15SAA9-SP	234-0097-6
	0.3	NX1BL-15T-KT3B(**)	234-2154-9-**	IC9-68RD-0.635SF	640-0901-2	NX60TB-15SAA3-SP	234-0098-9
25	0.9	NX1BL-25T-KT9B(**)	234-2157-7-**	IC9-68RD-0.635SFA	640-0902-5	NX60TA-25SAA9-SP	234-0107-8
	0.3	NX1BL-25T-KT3B(**)	—————	IC9-68RD-0.635SF	640-0901-2	NX60TA-25SAA3-SP	234-0033-3
32	0.9	NX1BL-32T-KT9B(**)	234-2155-1-**	IC9-68RD-0.635SFA	640-0902-5	NX60T -32SAA9-SP	234-0023-0
	0.3	NX1BL-32T-KT3B(**)	234-2156-4-**	IC9-68RD-0.635SF	640-0901-2	NX60TA-32SAA3-SP	234-0053-0

(**): (05) : With Insulation type

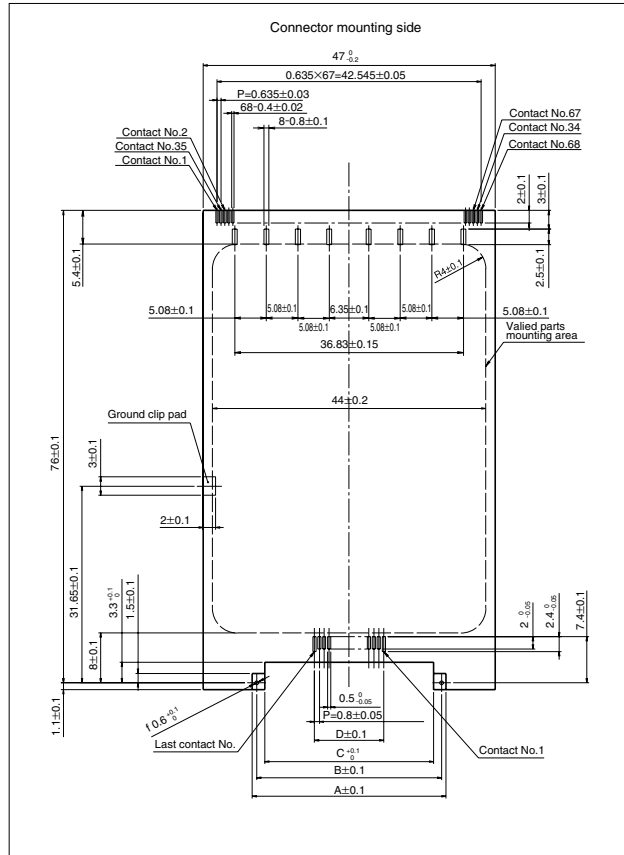
(06) : Without Insulation type

Board Dimensions (Applicable Board Thickness: 0.5 mm Max.)

●NX1 Series (General Type)



●NX1B Series (CardBus Type)



Type	Part Number	Number of Contacts	Offset	A	B	C	D	
NX 1Series (General Type)	NX1-15T-KT9K(**)	15	0.9	31.2	29.8	27.2	11.2	
	NX1-25T-KT9K(**)	25		39.2	37.8	35.2	19.2	
	NX1-32T-KT9K(**)	32		44.8	43.4	40.8	24.8	
	NX1B Series (Card Bus Type Frame Kit)	NX1-15T-KT3K(**)	15	0.3	31.2	29.8	27.2	11.2
		NX1-25T-KT3K(**)	25		39.2	37.8	35.2	19.2
		NX1-32T-KT3K(**)	32		44.8	43.4	40.8	24.8
NX1B Series (Card Bus Type Frame Kit)	NX1BL-15T-KT9B(**)	15	0.9	31.2	29.8	27.2	11.2	
	NX1BL-25T-KT9B(**)	25		39.2	37.8	35.2	19.2	
	NX1BL-32T-KT9B(**)	32		44.8	43.4	40.8	24.8	
	NX1BL-15T-KT3B(**)	15	0.3	31.2	29.8	27.2	11.2	
		NX1BL-25T-KT3B(**)		25	39.2	37.8	35.2	19.2
NX1BL-32T-KT3B(**)	32	44.8	43.4	40.8	24.8			

*Please use "NX Series Flame Kit (Not NX 1) "when print processing the panel.

(**): (05) : With Insulation type

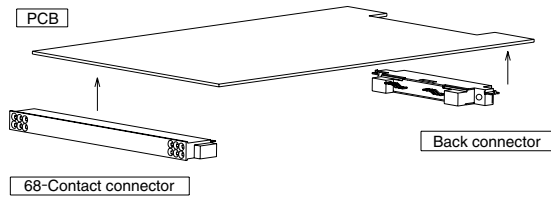
(06) : Without Insulation type

◆Frame Kit Assembly Process

Assembly Process Figure 1

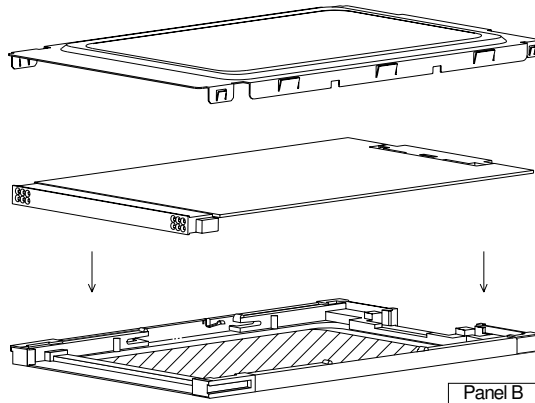
Mount the connectors(68-contact connectors, back connectors) and other parts to the printed circuit board (PCB).

NOTE :The procedure for the IC9 Series (suited to the 68-contact connectors and card bus) is to mount the connector body, then insert the ground plate and fasten the lead portion by hand.



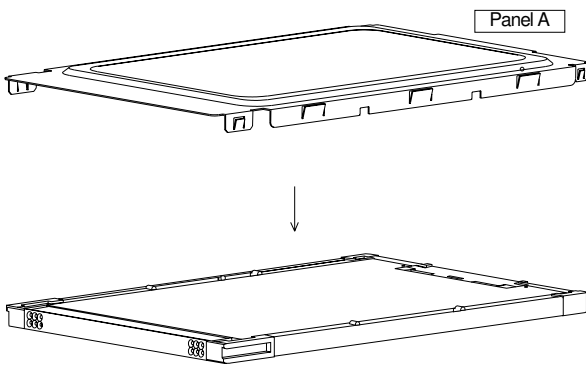
Assembly Process Figure 2

Insert the PCB mounting part to panel B (frame press fitting item).



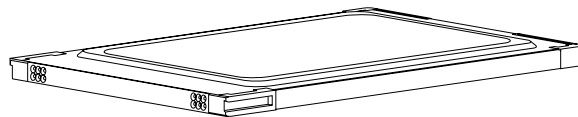
Assembly Process Figure 3

Use the assembly jig (described below) to insert panel A. (Press fit + lock)



Assembly Process Figure 4

Assembled item



Assembly Jig



(The photograph shows the hand press model.)

Classification	Part Number	CL No.
Without hand press	NX1-/CVCK-MP	902-3530-7
With hand press	NX1-/CVCK-MP(01)	902-3530-7(01)

Assembly Process Figure 5

Affix the label to the indented portion of the panel.

NOTE :Hirose Electric Co. Ltd. will not provide label services.
(Please refer to the Recommended Label Dimensions Diagram of Page 2.)

