



Chipsmall Limited consists of a professional team with an average of over 10 year of expertise in the distribution of electronic components. Based in Hongkong, we have already established firm and mutual-benefit business relationships with customers from,Europe,America and south Asia,supplying obsolete and hard-to-find components to meet their specific needs.

With the principle of “Quality Parts,Customers Priority,Honest Operation,and Considerate Service”,our business mainly focus on the distribution of electronic components. Line cards we deal with include Microchip,ALPS,ROHM,Xilinx,Pulse,ON,Everlight and Freescale. Main products comprise IC,Modules,Potentiometer,IC Socket,Relay,Connector.Our parts cover such applications as commercial,industrial, and automotives areas.

We are looking forward to setting up business relationship with you and hope to provide you with the best service and solution. Let us make a better world for our industry!



Contact us

Tel: +86-755-8981 8866 Fax: +86-755-8427 6832

Email & Skype: info@chipsmall.com Web: www.chipsmall.com

Address: A1208, Overseas Decoration Building, #122 Zhenhua RD., Futian, Shenzhen, China



NX2012SA

For OA / AV / Mobile Communications

■ Features

- Compact, thin, and light weight tuning fork crystal unit.
- Compact and thin. (2.0×1.2×0.55mm)
- Use a metal lid: Excellent shock resistance during chip mounting process comparing to a glass lid.
- Excellent electric performance optimum for mobile communications, OA (office automation) and AV (audiovisual) applications are exhibited.
- A surface-mount crystal oscillator. (Reflow soldering is possible.)
- RoHS compliant. These can meet the requirements of re-flow profiling using leadfree solder.



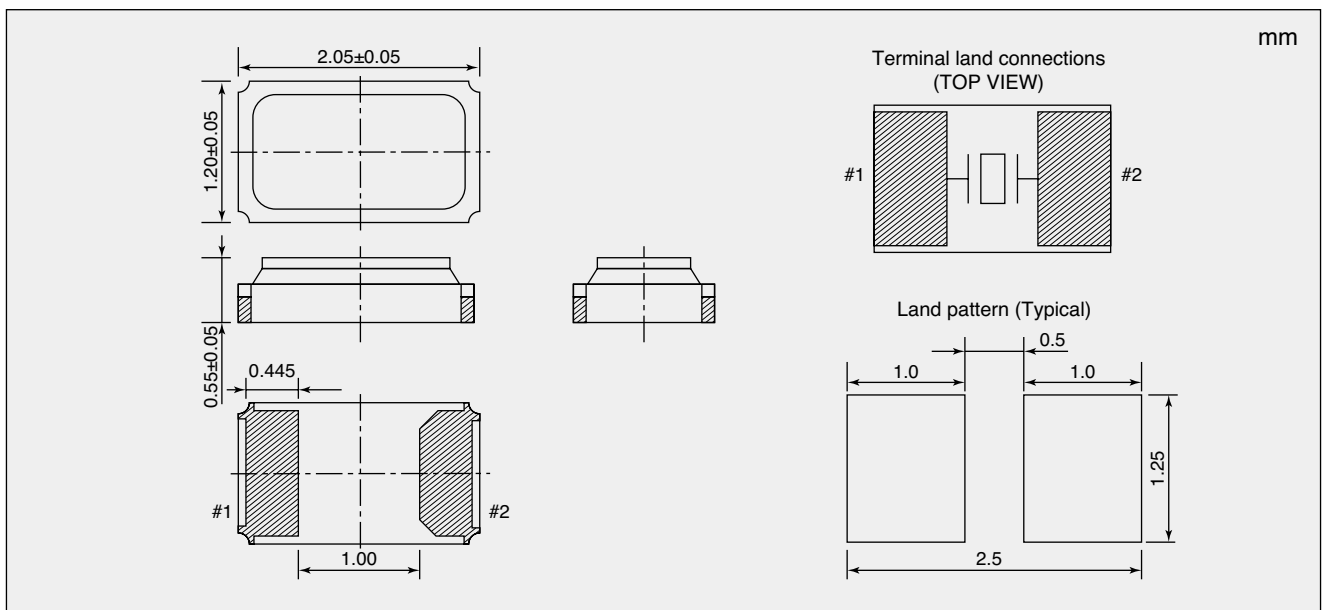
Pb Free

RoHS Compliant
Directive 2011/65/EU

■ Specifications

Item	Model	NX2012SA
Nominal Frequency		32.768kHz
Operating Temperature Range		-40 to +85°C
Storage Temperature Range		-40 to +85°C
Level of Drive		0.1μW (0.5μW Max.)
Frequency Tolerance (25 ±3 °C)		±20 × 10 ⁻⁶
Turning Point		+25°C ± 5°C
Temperature Coefficient		-0.04 × 10 ⁻⁶ /°C ² Max.
Load Capacitance		12.5pF
Equivalent Series Resistance		80kΩ Max.
Shunt Capacitance		1.3pF typ./ 1.5pF Max.
Insulation Resistance		500MΩ Min.
Specifications Number		STD-MUB-1

■ Dimensions



Please specify the model name, frequency, and specification number when you order products.
For further questions regarding specifications, please feel free to contact us.