



Chipsmall Limited consists of a professional team with an average of over 10 year of expertise in the distribution of electronic components. Based in Hongkong, we have already established firm and mutual-benefit business relationships with customers from,Europe,America and south Asia,supplying obsolete and hard-to-find components to meet their specific needs.

With the principle of "Quality Parts,Customers Priority,Honest Operation,and Considerate Service",our business mainly focus on the distribution of electronic components. Line cards we deal with include Microchip,ALPS,ROHM,Xilinx,Pulse,ON,Everlight and Freescale. Main products comprise IC,Modules,Potentiometer,IC Socket,Relay,Connector.Our parts cover such applications as commercial,industrial, and automotives areas.

We are looking forward to setting up business relationship with you and hope to provide you with the best service and solution. Let us make a better world for our industry!



Contact us

Tel: +86-755-8981 8866 Fax: +86-755-8427 6832

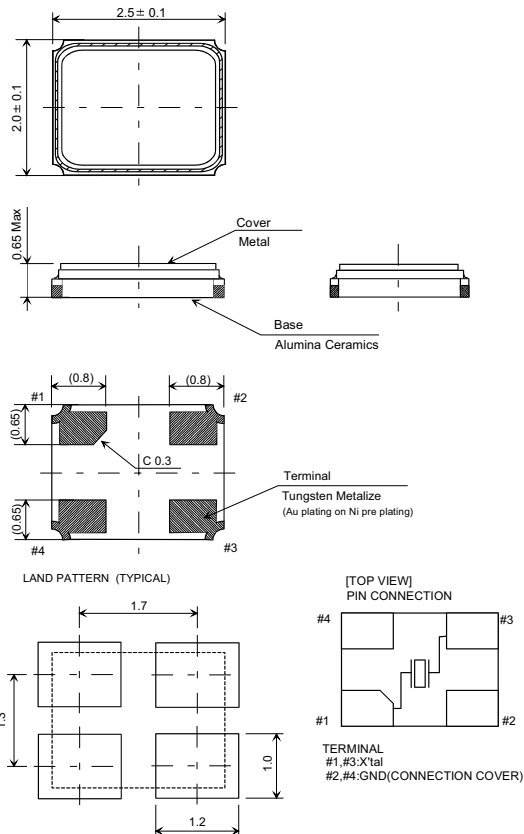
Email & Skype: info@chipsmall.com Web: www.chipsmall.com

Address: A1208, Overseas Decoration Building, #122 Zhenhua RD., Futian, Shenzhen, China



Specification of Crystal Unit

1	NDK PART NUMBER	NX2520SA
5	Type	NX2520SA
6	Electrical characteristics	
6.1	Nominal frequency(F0)	* ATTACHED SHEETS 5
6.2	Overtone order	Fundamental
6.3	Adjustment tolerance	$\pm 10 \times 10^{-6}$ max. (+25 °C)
6.4	Tolerance over the temperature range	$\pm 10 \times 10^{-6}$ max. (-10~+70 °C) The reference temperature shall be +25
6.5	Equivalent resistance (R1)	*ATTACHED SHEETS 5
6.6	Shunt Capacitance (C0)	NA
6.7	Maximum Drive Level	100 μ W max.
7	Measurement circuit	
7.2	Frequency measurement	
7.1.1	Measuring instrument	π circuit
7.1.2	Load capacitance(CL)	10pF
7.1.3	Level of drive	10 μ W
7.2	Equivalent resistance measurement	
7.2.1	Measuring instrument	π circuit
7.2.2	Load capacitance(CL)	Series
7.2.3	Level of drive	10 μ W
8	Dimension	



Frequency(MHz)	IC(ESR)
16	80 ohm
20	70 ohm
24	70 ohm
24.576	70 ohm
26	70 ohm
30	50 ohm
32	50 ohm
40	50 ohm
44	50 ohm
48	50 ohm