



Chipsmall Limited consists of a professional team with an average of over 10 year of expertise in the distribution of electronic components. Based in Hongkong, we have already established firm and mutual-benefit business relationships with customers from,Europe,America and south Asia,supplying obsolete and hard-to-find components to meet their specific needs.

With the principle of “Quality Parts,Customers Priority,Honest Operation,and Considerate Service”,our business mainly focus on the distribution of electronic components. Line cards we deal with include Microchip,ALPS,ROHM,Xilinx,Pulse,ON,Everlight and Freescale. Main products comprise IC,Modules,Potentiometer,IC Socket,Relay,Connector.Our parts cover such applications as commercial,industrial, and automotives areas.

We are looking forward to setting up business relationship with you and hope to provide you with the best service and solution. Let us make a better world for our industry!



## Contact us

Tel: +86-755-8981 8866 Fax: +86-755-8427 6832

Email & Skype: info@chipsmall.com Web: www.chipsmall.com

Address: A1208, Overseas Decoration Building, #122 Zhenhua RD., Futian, Shenzhen, China



# Wall Wash Cooler 82W Rectangular Mounting LED Heat Sink

**This LED Heatsink is part of the Aavid scalable LED portfolio.**

**Future proof** – Designed with the rapidly evolving light engine industry in mind, thermal performance can be easily increased or decreased without a luminaire redesign by adding or removing a SynJet Cooler

**Flexibility** – Configure to order luminaire production process, use heatsinks for low lumen applications and the SynJet Cooler with heatsink for higher lumen versions

**Freedom** – Compatible with most major light engines so thermal solutions and mechanical interfaces do not have to be redesigned when changing light engines

**Fast** – In stock and ready for overnight delivery, worldwide



## Specifications

### Thermal<sup>1</sup>

Thermal Wattage	Heatsink $\Theta_{s-a}$ <sup>2</sup>	Heat Sink T <sub>Rise Above Ambient</sub>
24 W	1.2 (°C/W)	30 (°C)
34 W	1.2 (°C/W)	39 (°C)
44 W	1.1 (°C/W)	49 (°C)

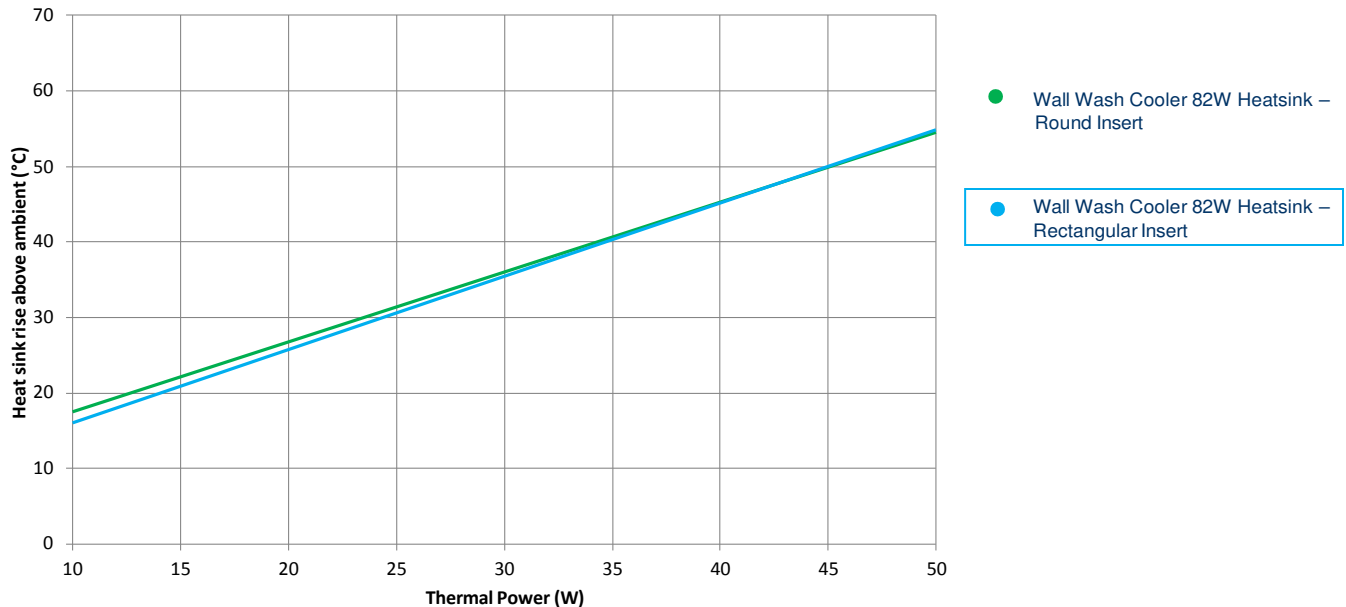
### Mechanical

<b>Material</b>	6063-T5 Al Extrusion
<b>Finish</b>	Black Anodized
<b>Weight</b>	500g
<b>Regulatory</b>	RoHS

Size (mm)
Length: 144
Width: 112
Height: 47

The chart below summarizes the thermal performance of all rectangular LED heatsink solutions

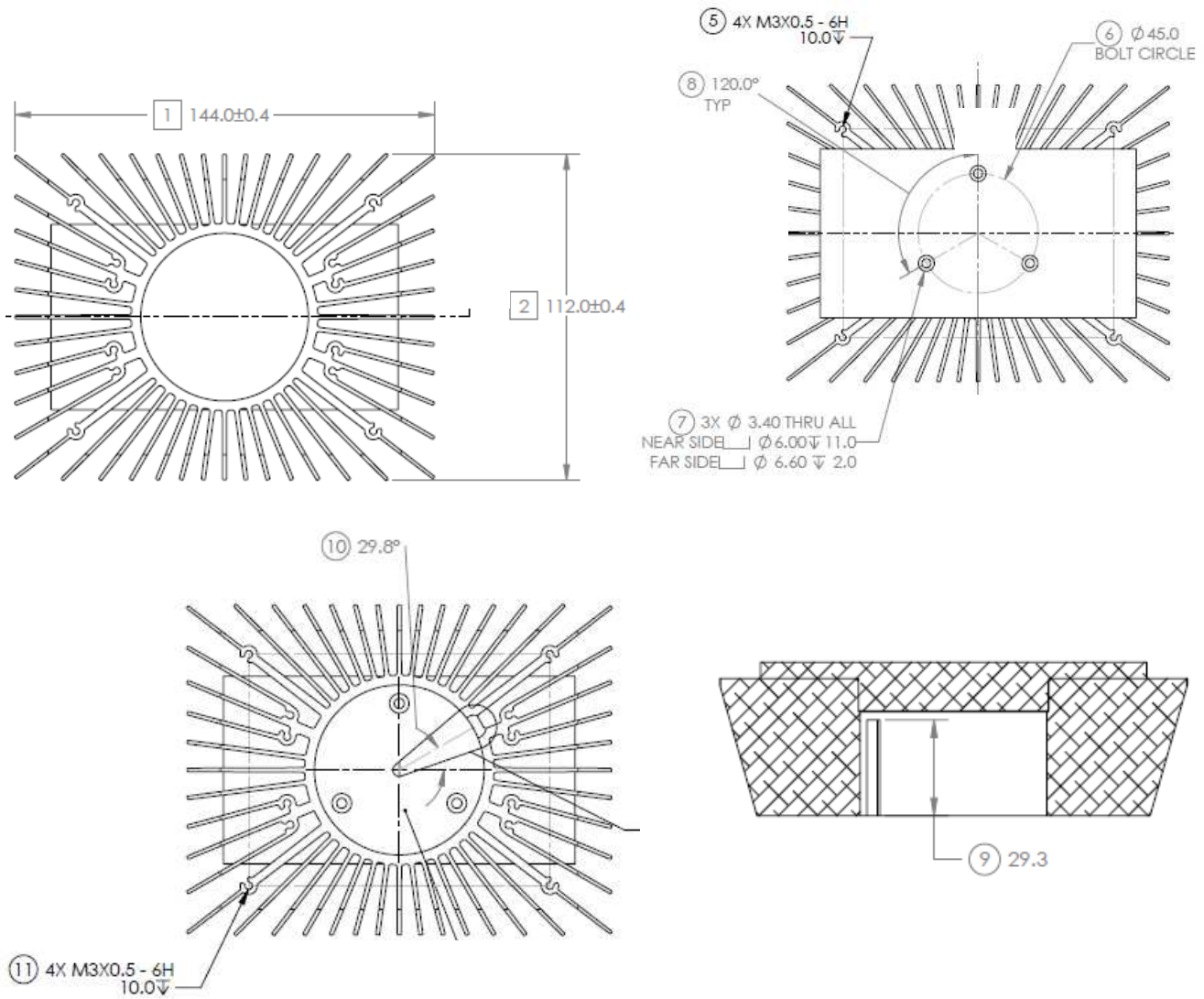
Heatsink Rise Above Ambient vs. Thermal Power  
Rectangular Heatsinks 118 to 140 mm



<sup>1</sup> All values are typical at 25°C unless otherwise stated.

<sup>2</sup> Thermal resistance values are given as reference only and are measured in free air without airflow obstructions. Thermal resistance is measured from the bottom middle of the heat sink to ambient air, with a heat source of 19 cm<sup>2</sup>. Actual thermal performance may vary by application and final product design should be tested to assure proper thermal performance.

**Mechanical – LED Heatsink (Configurable version shown)**



All dimensions are nominal and in mm unless otherwise stated. See product drawings for more detail.

**Part Numbers**

Part Number	Description	Notes
NX300134	Heatsink, 82W, Wall Washer, Config, Black, Rectangular Mounting Plate	Contact sales for other heatsink options
NX300146	Heatsink, 82W, Wall Washer, Xicato XLM, Black, Rectangular Mounting Plate	Contact sales for other heatsink options
NX300152	Heatsink, 82W, Wall Washer, Fortimo DLM, Rectangular Mounting Plate	Contact sales for other heatsink options

Aavid reserves the right to make changes to the products or information contained herein without notice. No liability is assumed as a result of their use or applications. For additional information, please contact Aavid directly.